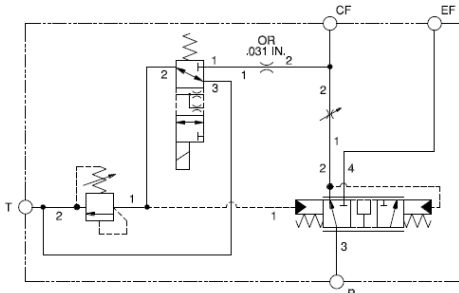
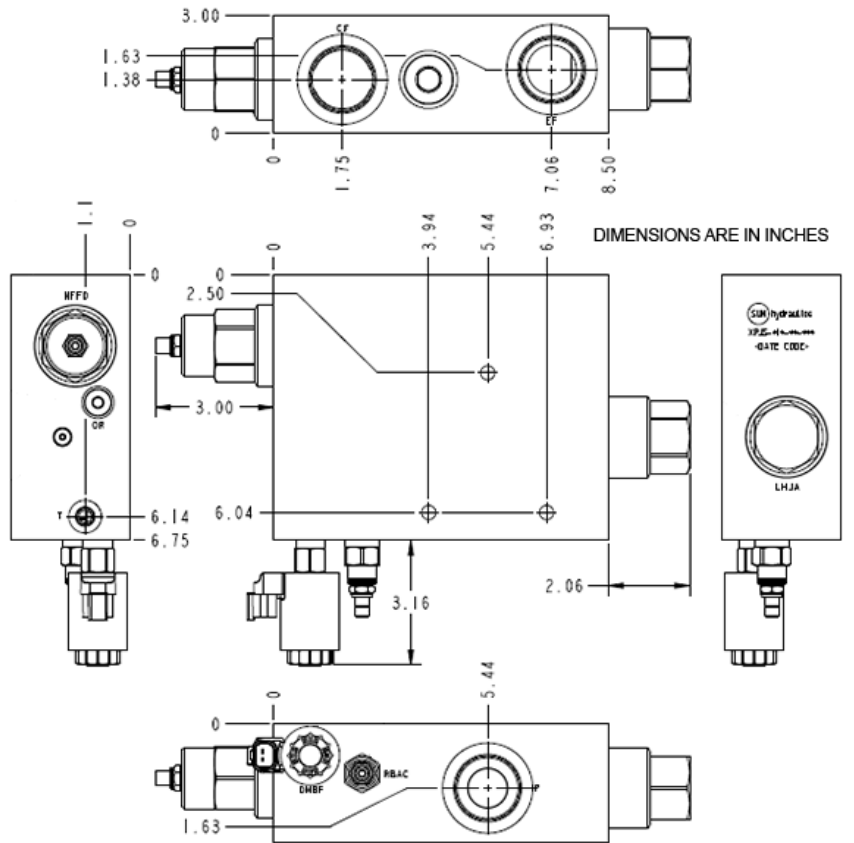


A - Normally Open 1 to 2



N - Normally Open 2 to 3



TECHNICAL DATA

| | |
|------------------------|------------|
| Body Type | Line mount |
| Capacity | 480 L/min. |
| Mounting Hole Diameter | 9,1 mm |
| Mounting Hole Depth | Through |
| Mounting Hole Quantity | 3 |

OPTION SELECTION EXAMPLE: XPJSLINNN

| CONTROL | (L) MAXIMUM ORIFICE DIAMETER | (I) SEAL MATERIAL | (N) |
|------------------------------------|------------------------------|-------------------|-----|
| L Standard Screw Adjustment | I .85 in. (21.6 mm) | N Buna-N | |
| | | V Viton | |

INCLUDED COMPONENTS

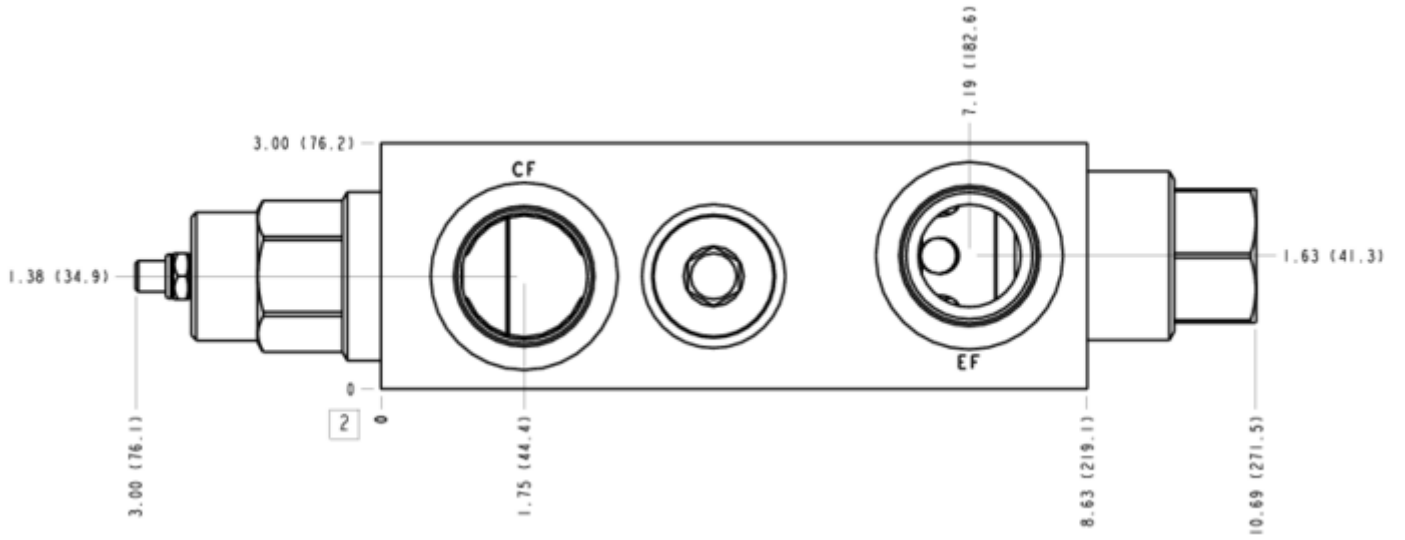
| Part | Description | Quantity |
|---------------|---------------------|----------|
| 280-039-031* | Orifice | 1 |
| A330-006-002* | SAE Plug | 1 |
| A330-006-006* | SAE Plug | 1 |
| A330-006-016* | SAE Plug | 1 |
| DMBFXNN | Cartridge | 1 |
| LHJAXFN | Cartridge | 1 |
| NFFDLIN | Cartridge - Primary | 1 |
| RBACLAN | Cartridge | 1 |

MANIFOLD FACES

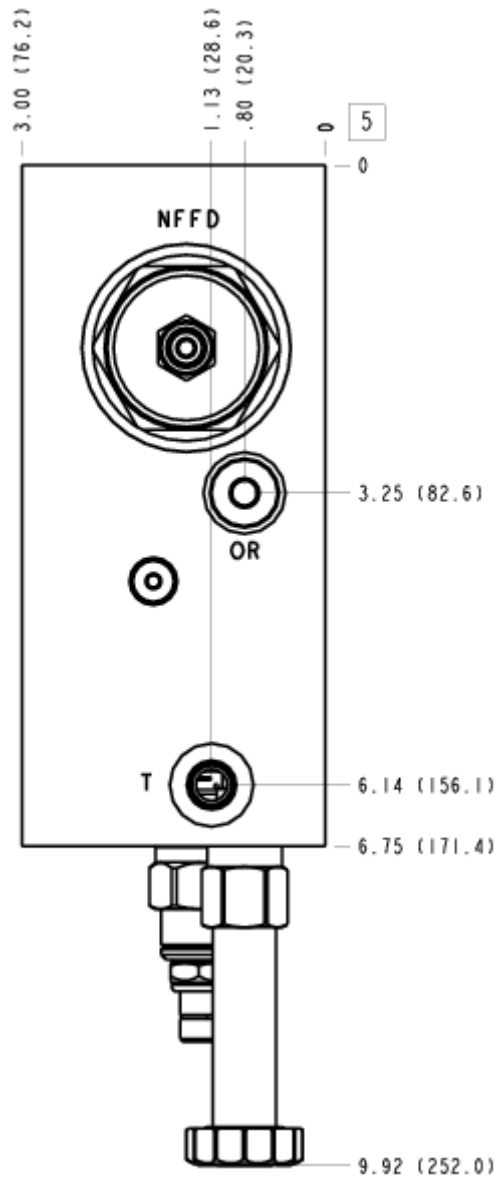
FACE GRID

| | | | |
|---|----|----|----|
| 1 | 2 | 3 | 4 |
| 5 | 6 | 7 | 8 |
| 9 | 10 | 11 | 12 |

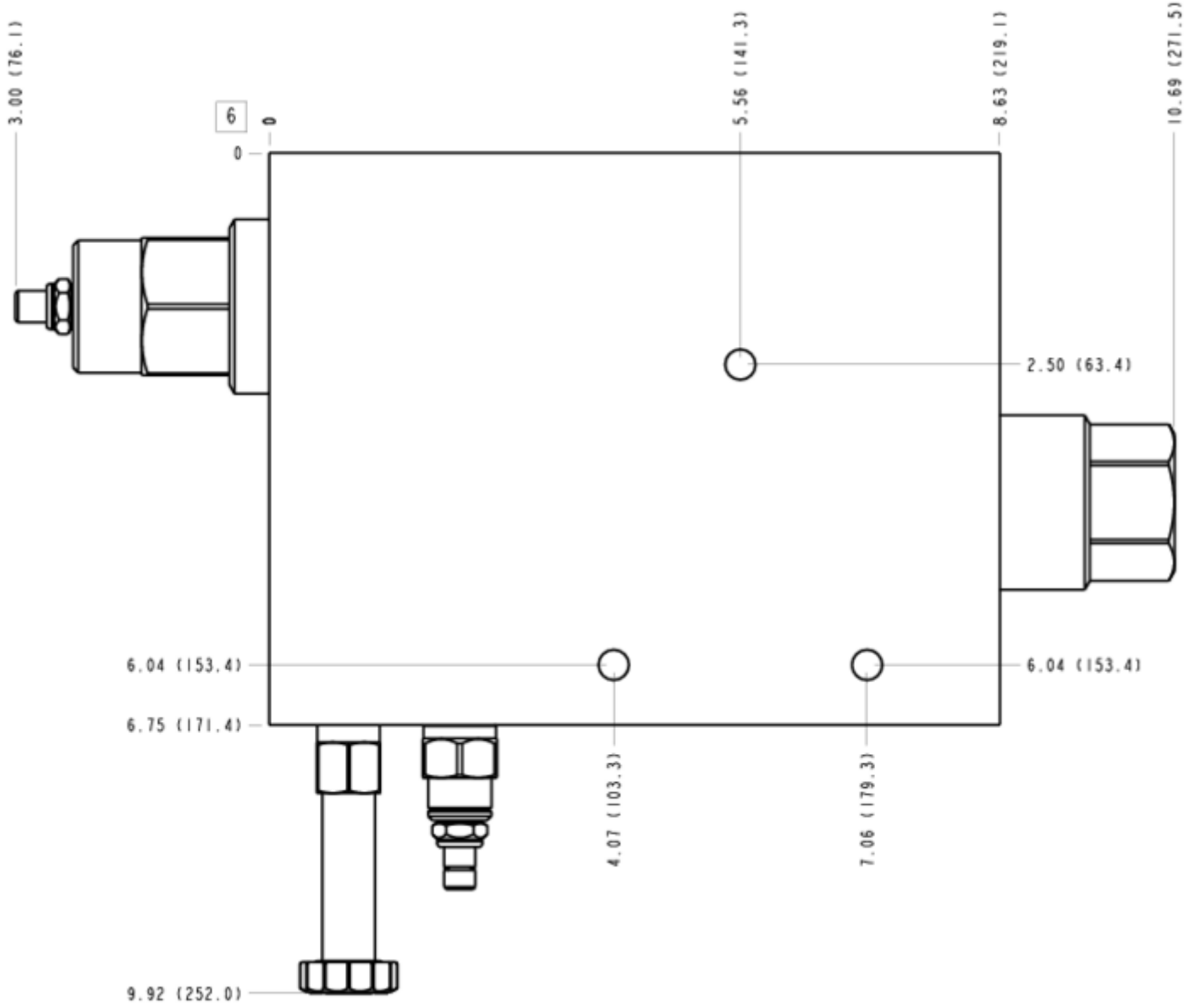
FACE 2



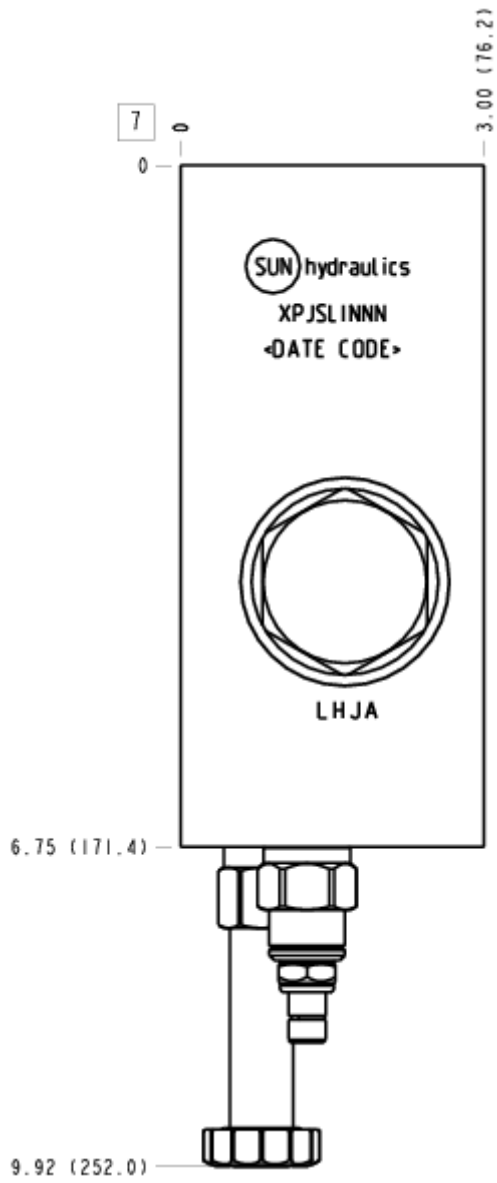
FACE 5



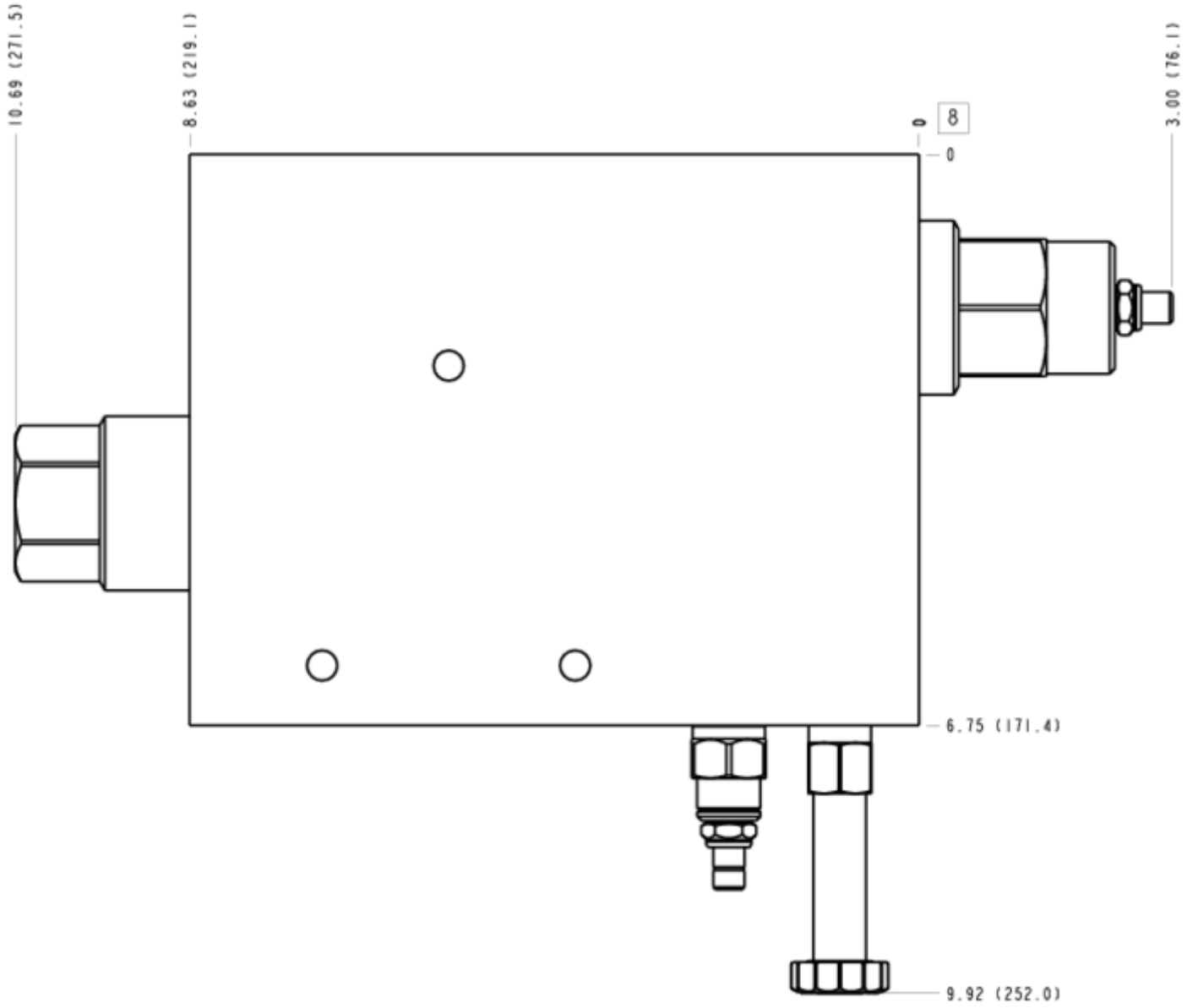
FACE 6



FACE 7



FACE 8



FACE 10

