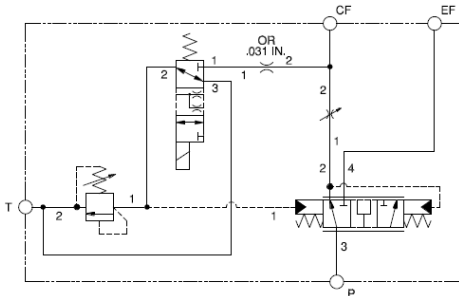
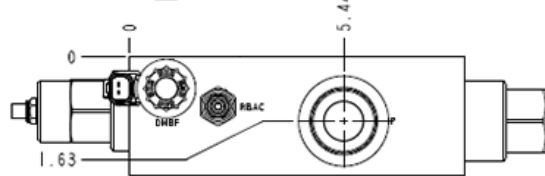
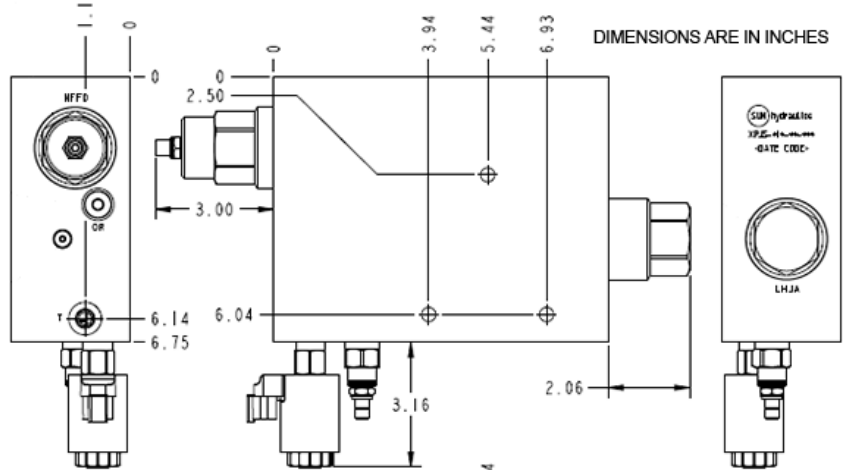
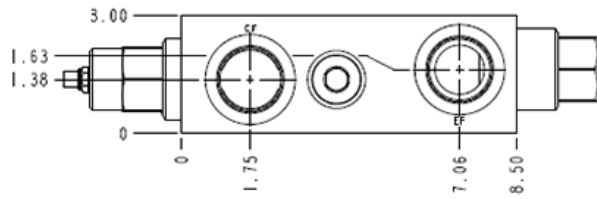


A - Normally Open 1 to 2



N - Normally Open 2 to 3



**TECHNICAL DATA** NOTE: DATA MAY VARY BY CONFIGURATION. SEE CONFIGURATION SECTION.

	480 L/min.
	9,1 mm
	Through
	3

**OPTION SELECTION EXAMPLE: XPJSLINNN**

(L)

(I)

(N)

<b>L</b>	<b>I</b> .85 in. (21.6 mm)	<b>N</b>
K		V

**INCLUDED COMPONENTS**

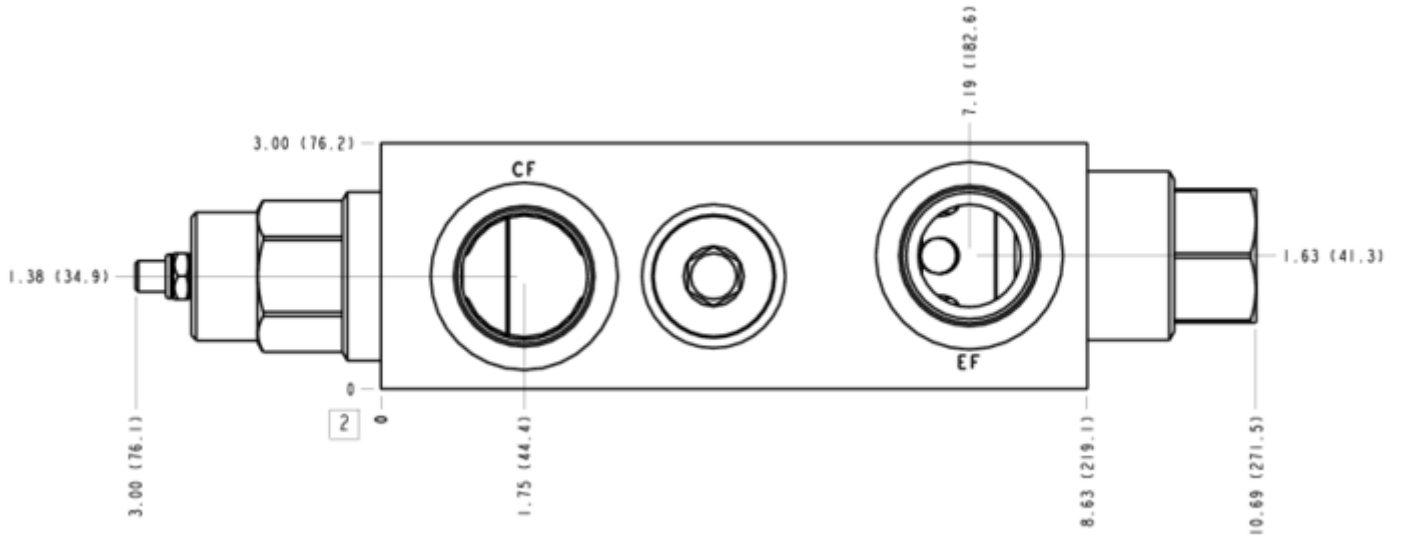
Part	Description	Quantity
280-039-031*	Orifice	1
A330-006-002*	SAE Plug	1
A330-006-006*	SAE Plug	1
A330-006-016*	SAE Plug	1
DMBFXNN	Cartridge	1
LHJAXFN	Cartridge	1
NFFDLIN	Cartridge - Primary	1
RBACLAN	Cartridge	1

**MANIFOLD FACES**

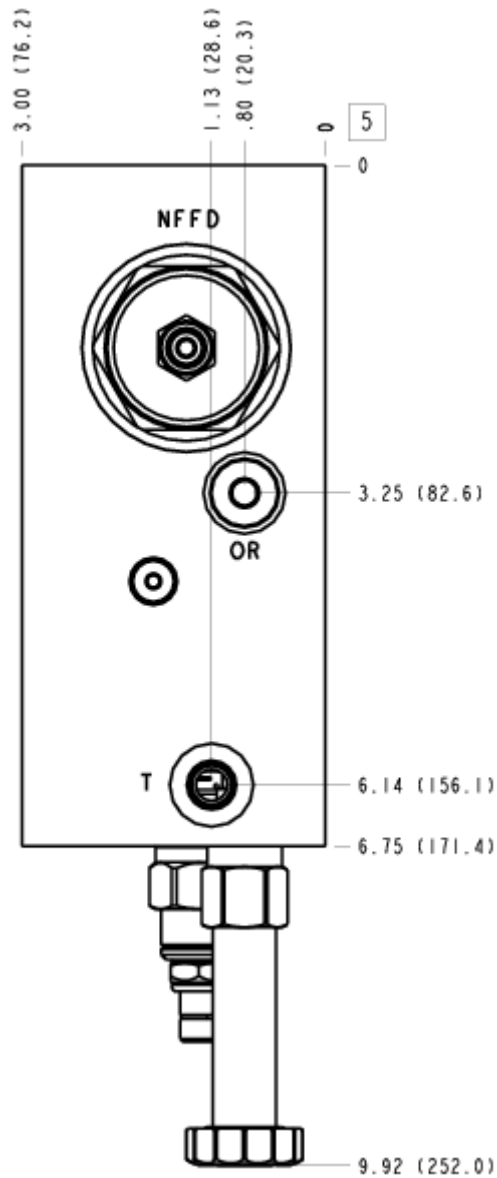
**FACE GRID**

1	2	3	4
5	6	7	8
9	10	11	12

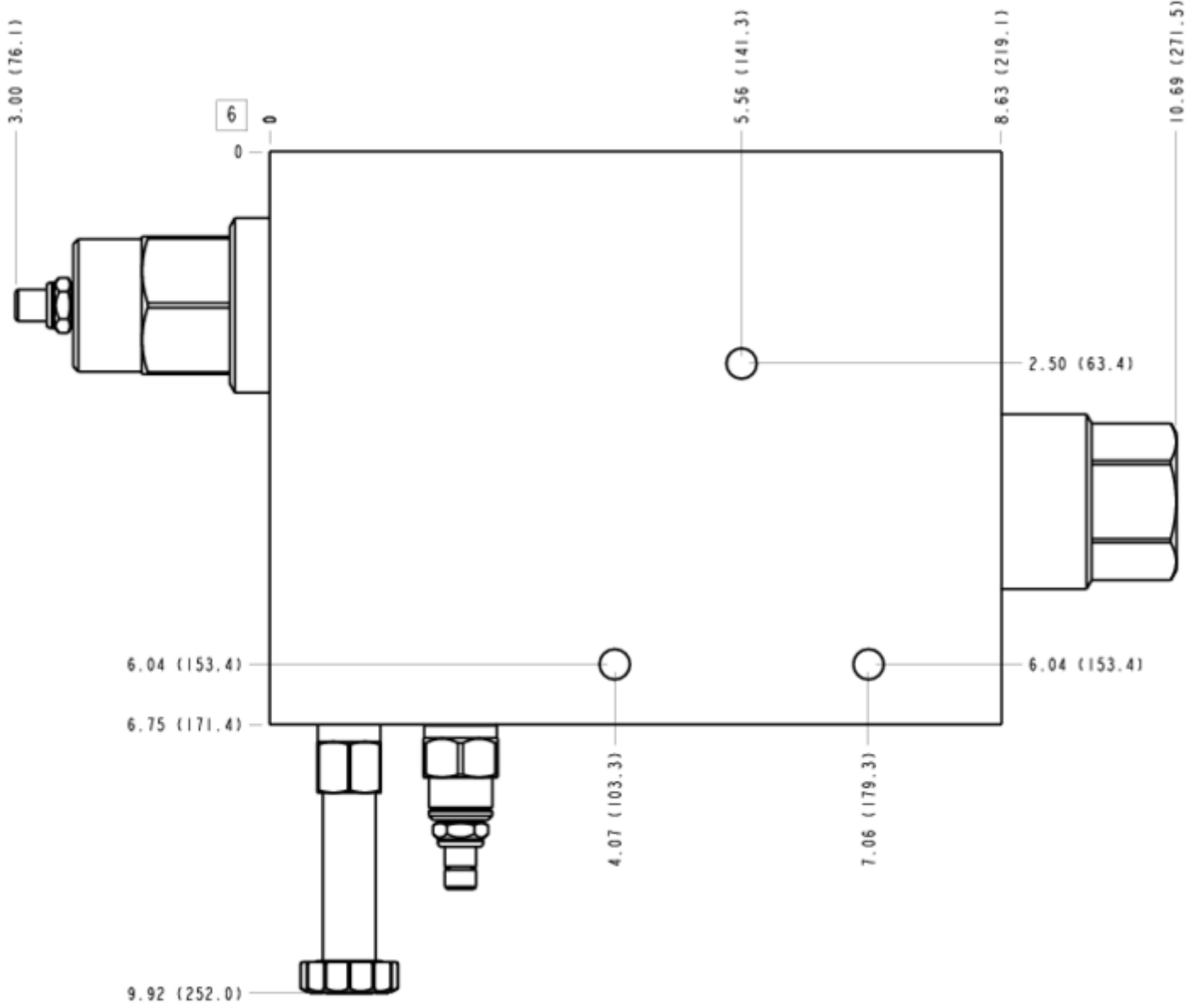
## FACE 2



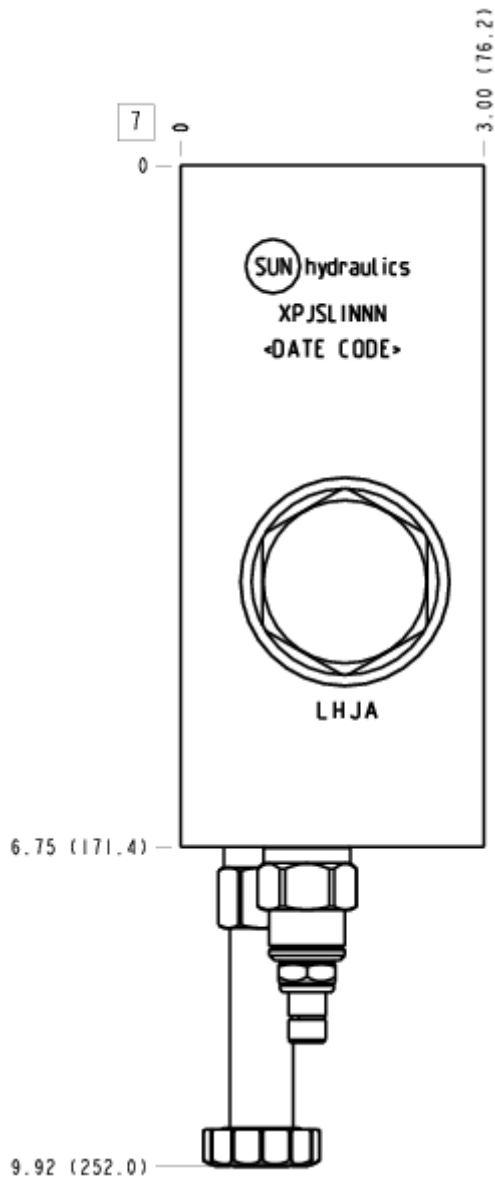
## FACE 5



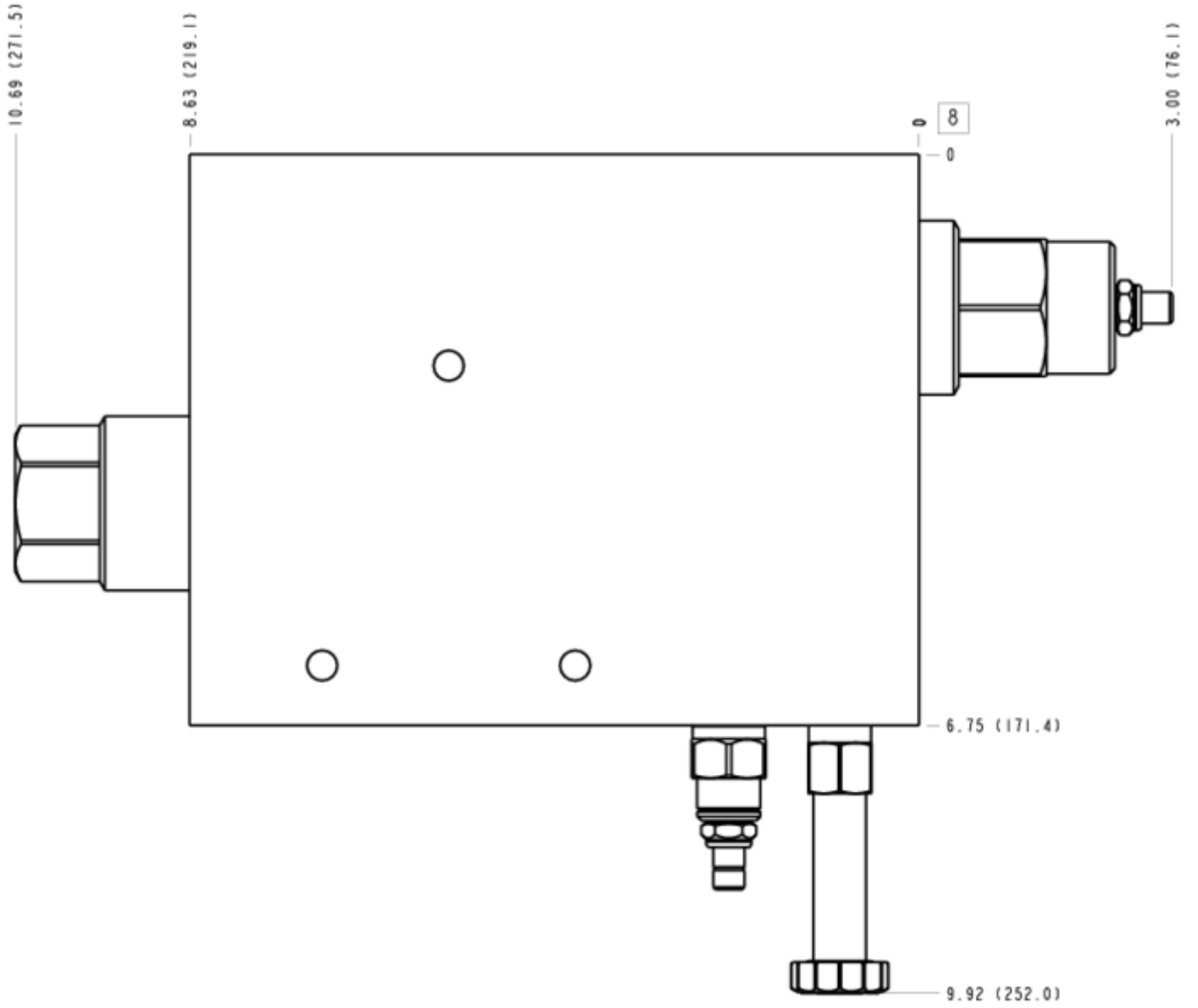
FACE 6



FACE 7



FACE 8



FACE 10

