

**TECHNICAL DATA** NOTE: DATA MAY VARY BY CONFIGURATION. SEE CONFIGURATION SECTION.

	40 L/min.
	10,4 mm
	Through
	2

**OPTION SELECTION EXAMPLE: XQCELANBK**

(L) (A) (N)

<b>L</b>	<b>A</b>	1000 - 3000 psi (70 - 210 bar), 1000 psi (70 bar)	<b>N</b>
<b>C</b>			<b>V</b>

**PRIMARY CARTRIDGE**

(B)

<b>B</b>	20% (with QPAB primary cartridge, 20%,	-	)
<b>D</b>	50% (with QPAD primary cartridge, 50%,	-	)
<b>C</b>	30% (with QPAC primary cartridge, 30%,	-	)
<b>A</b>	15% (with QPAA primary cartridge, 15%,	-	)

**INCLUDED COMPONENTS**

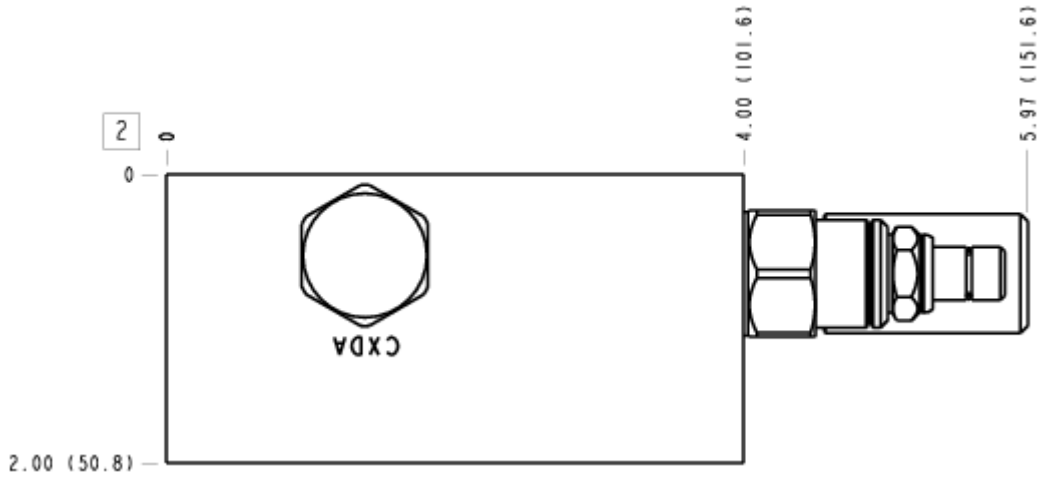
Part	Description	Quantity
CXDAXCN	Cartridge	1
QPABLAN	Cartridge - Primary	1
RVCFXAN	Cartridge	1

**MANIFOLD FACES**

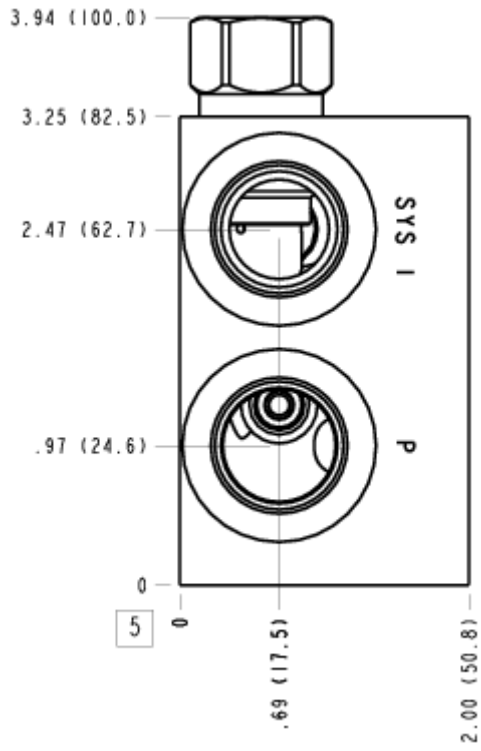
**FACE GRID**

1	2	3	4
5	6	7	8
9	10	11	12

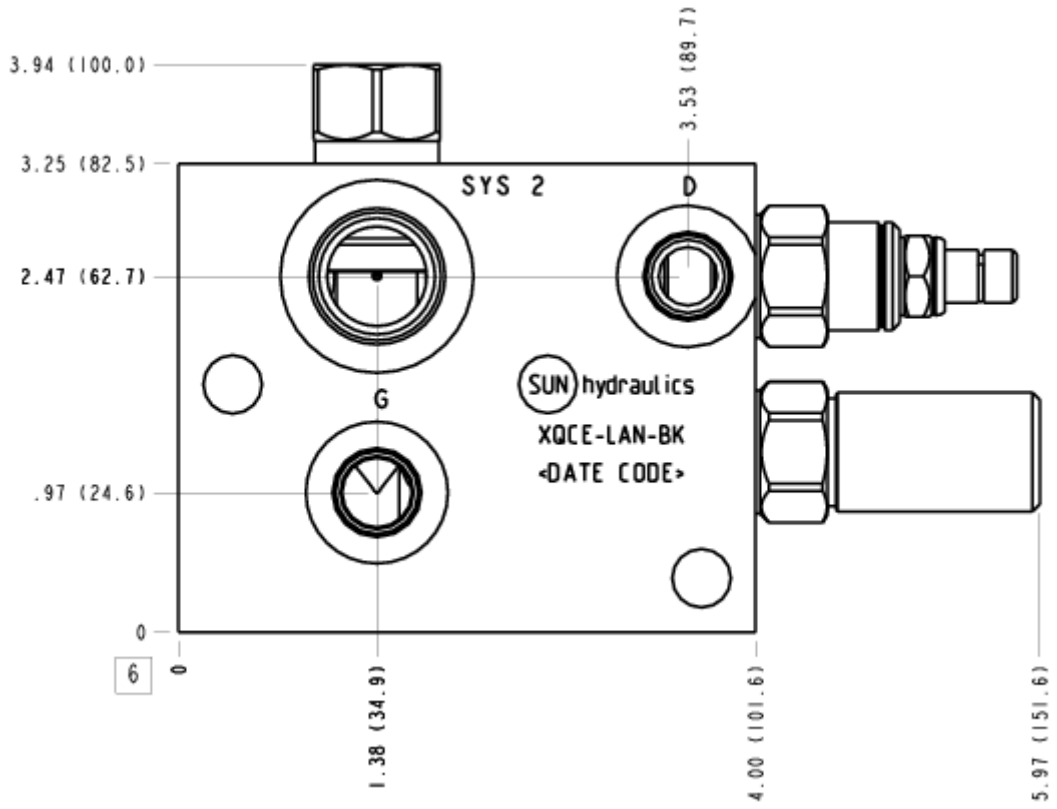
### FACE 2



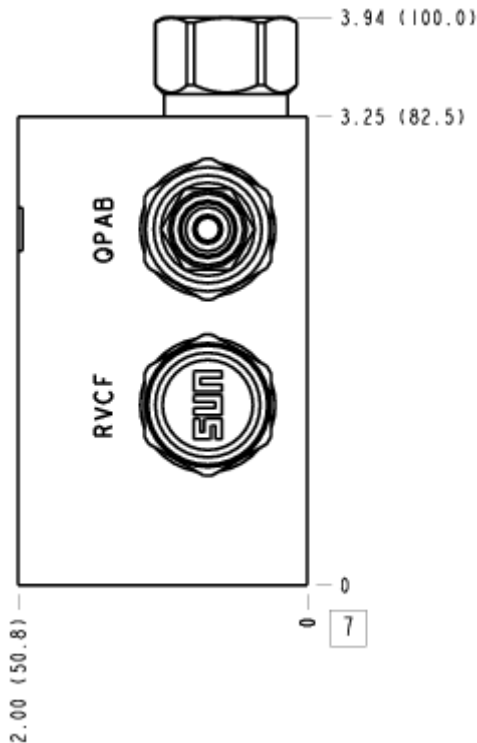
### FACE 5



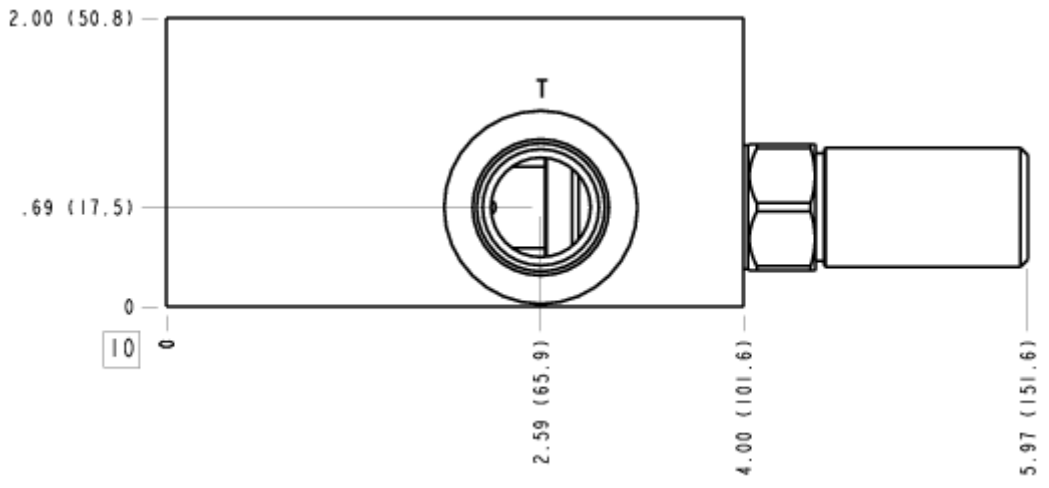
### FACE 6



### FACE 7



# FACE 10



10