

TECHNICAL DATA NOTE: DATA MAY VARY BY CONFIGURATION. SEE CONFIGURATION SECTION.

	40 L/min.
	2

OPTION SELECTION EXAMPLE: XQCFLANBK

(L) (A) (N)

L	A	1000 - 3000 psi (70 - 210 bar), 1000 psi (70 bar)	N
C			V

PRIMARY CARTRIDGE

(B)

B	20% (with QCDB primary cartridge, 20%, -)
D	50% (with QCDD primary cartridge, 50%, -)
C	30% (with QCDC primary cartridge, 30%, -)
A	15% (with QCDA primary cartridge, 15%, -)

INCLUDED COMPONENTS

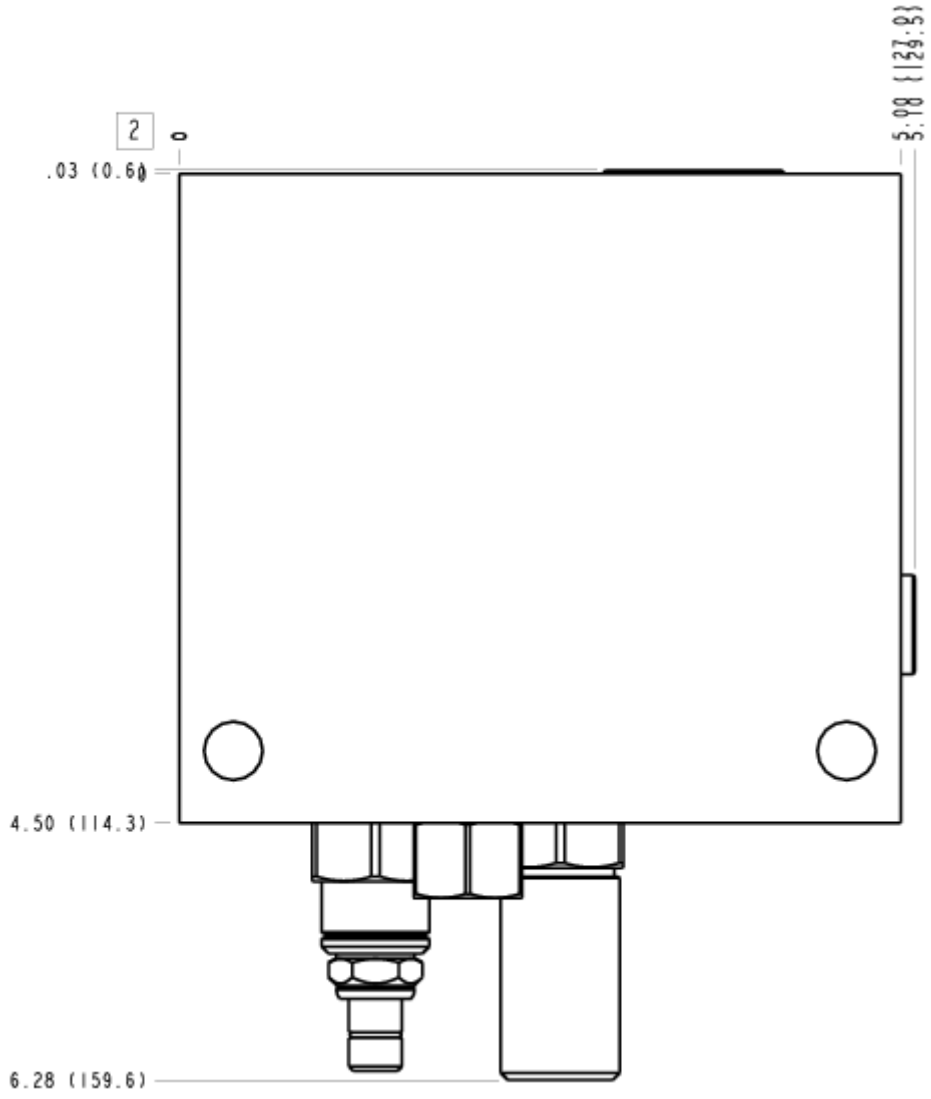
Part	Description	Quantity
A330-006-006*	SAE Plug	1
A330-006-012*	SAE Plug	1
LPBDXDN	Cartridge	1
QCDBLAN	Cartridge - Primary	1
RVCFXAN	Cartridge	1

MANIFOLD FACES

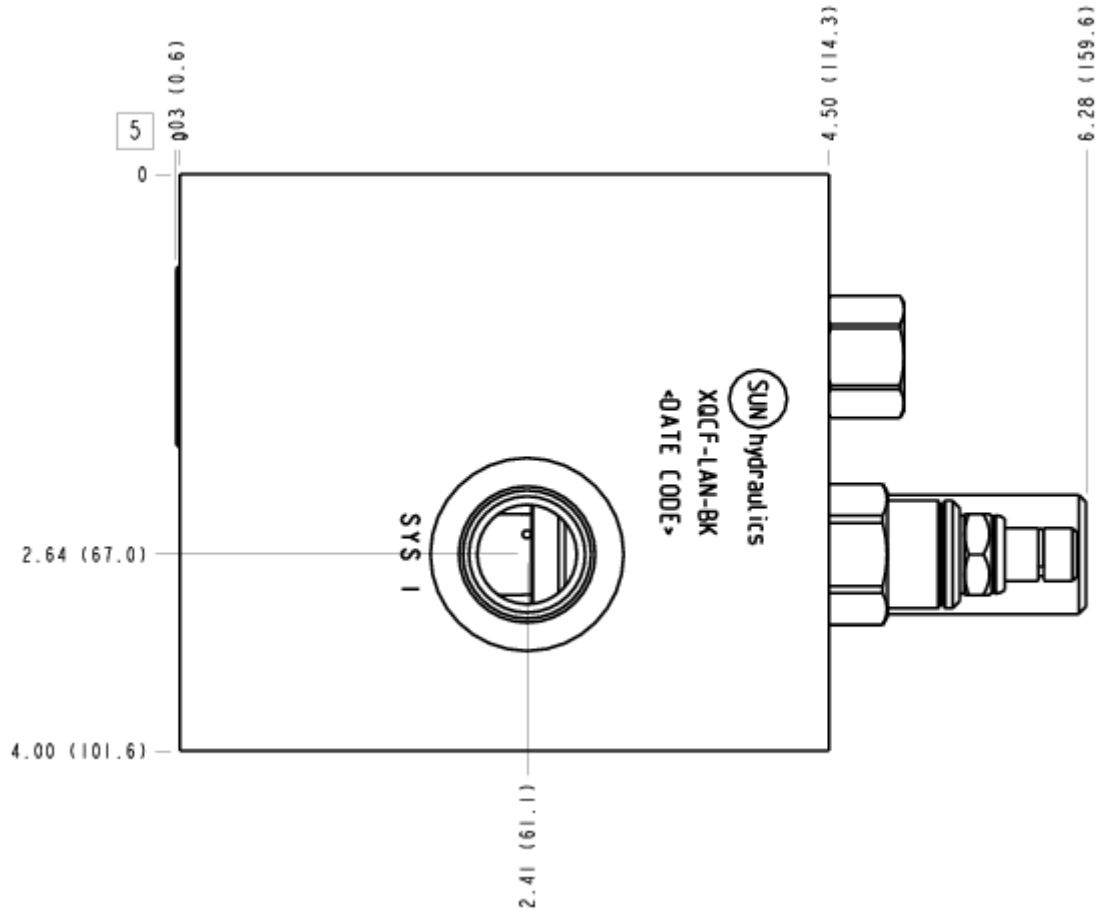
FACE GRID

1	2	3	4
5	6	7	8
9	10	11	12

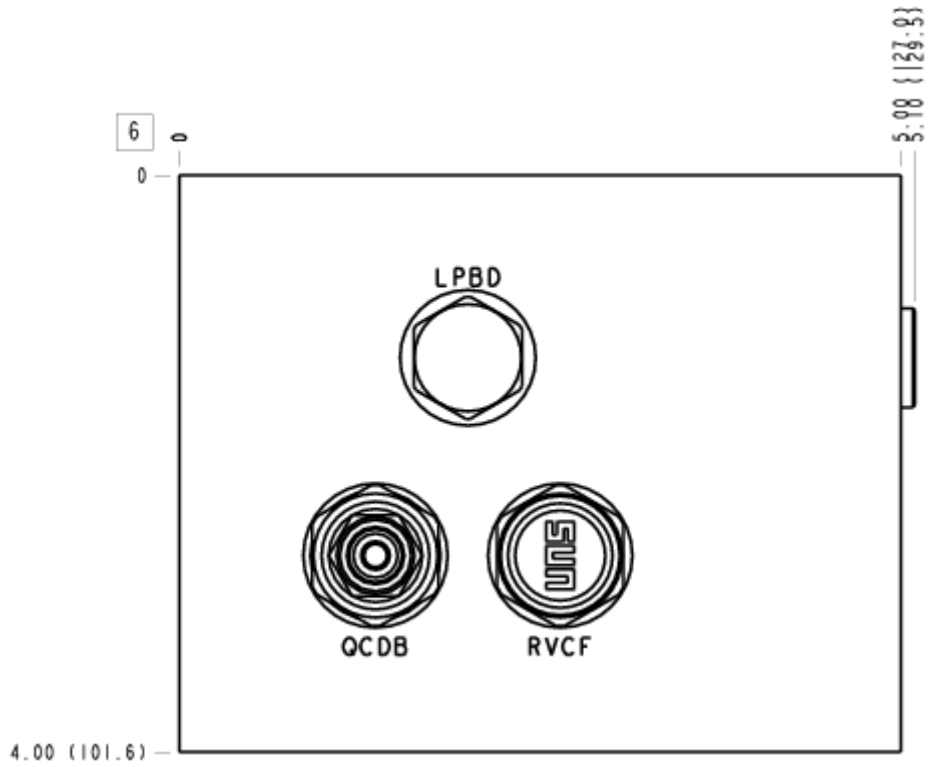
FACE 2



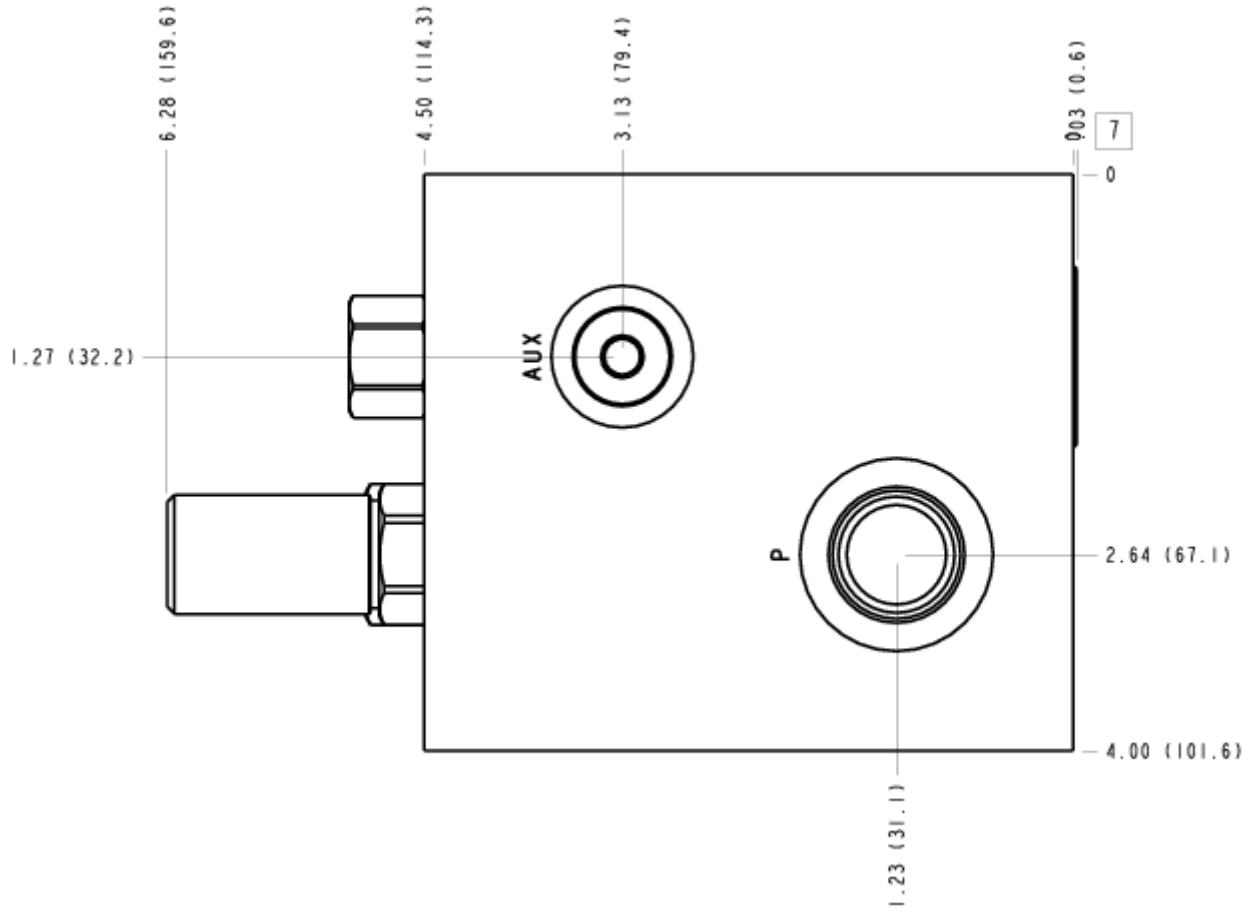
FACE 5



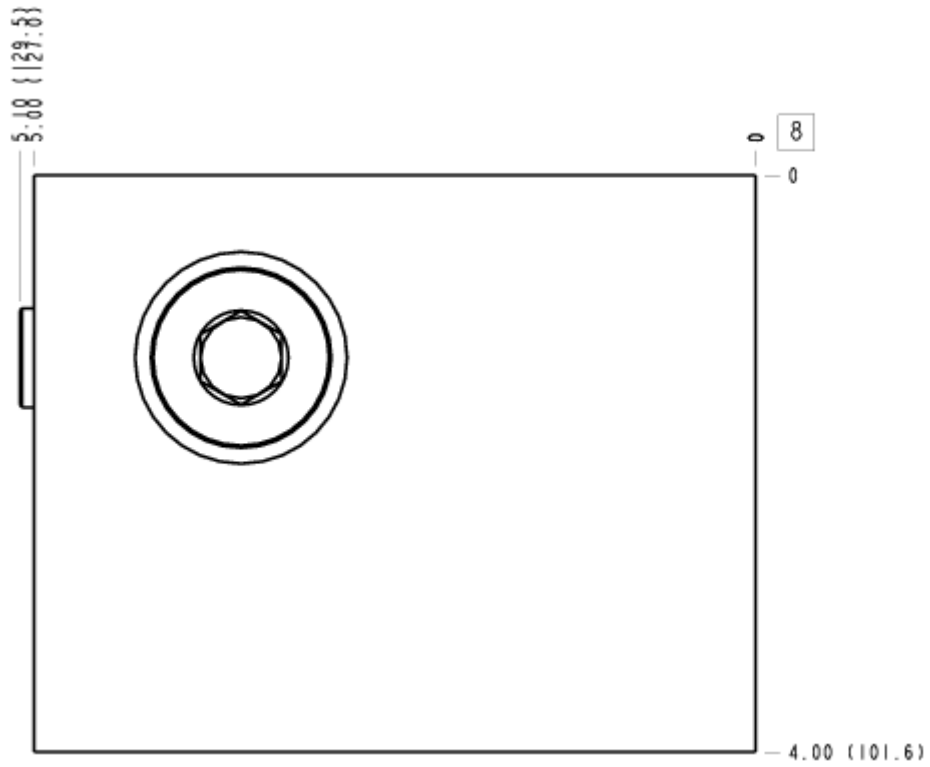
FACE 6



FACE 7



FACE 8



FACE 10

