

TECHNICAL DATA NOTE: DATA MAY VARY BY CONFIGURATION. SEE CONFIGURATION SECTION.

	60 L/min.
	2

OPTION SELECTION EXAMPLE: XQCJLANBK

(L) (A) (N)

L	A	1000 - 3000 psi (70 - 210 bar), 1000 psi (70 bar)	N
C			V

PRIMARY CARTRIDGE

(B)

B	20% (with QCDB primary cartridge, 20%,	-)
E	10% (with QCDE primary cartridge, 10%,	-)
D	50% (with QCDD primary cartridge, 50%,	-)
C	30% (with QCDC primary cartridge, 30%,	-)
A	15% (with QCDA primary cartridge, 15%,	-)

INCLUDED COMPONENTS

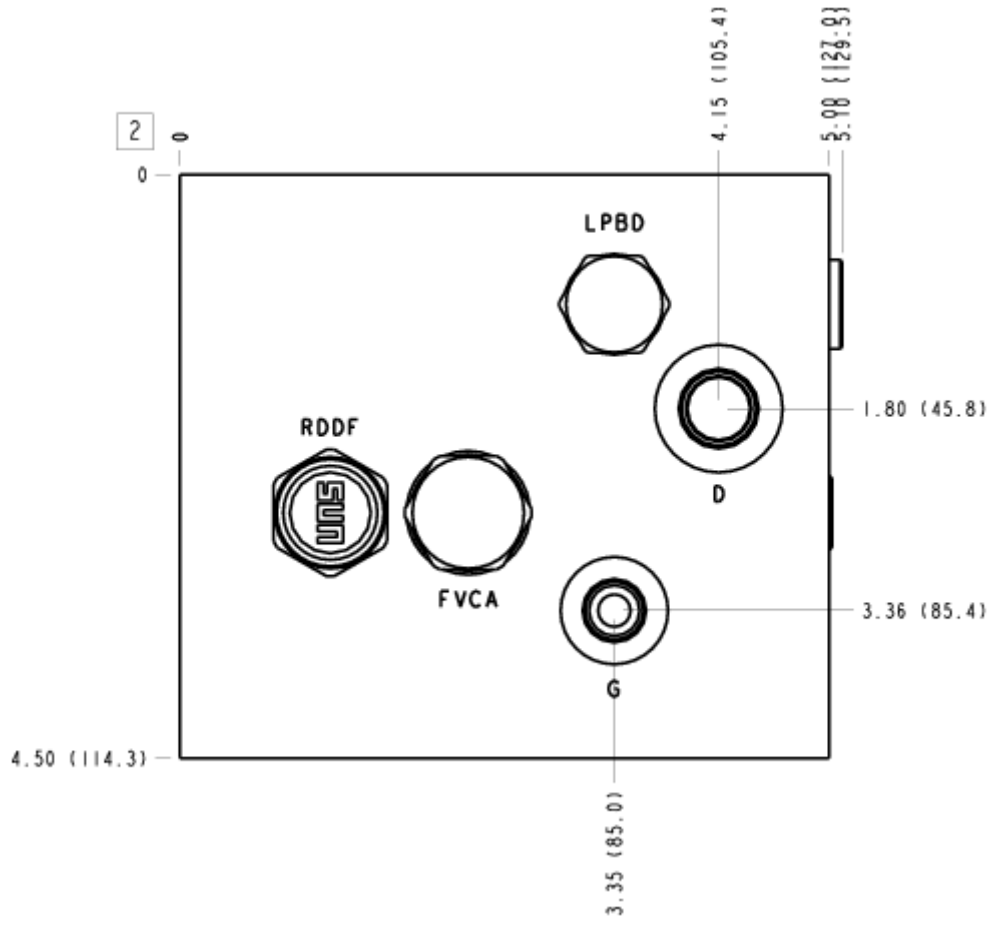
Part	Description	Quantity
A330-006-004*	SAE Plug	1
A330-006-006*	SAE Plug	1
A330-006-012*	SAE Plug	1
FVCAXAN	Cartridge	1
LPBDXDN	Cartridge	1
QCDBLAN	Cartridge - Primary	1
RDDFXBN	Cartridge	1

MANIFOLD FACES

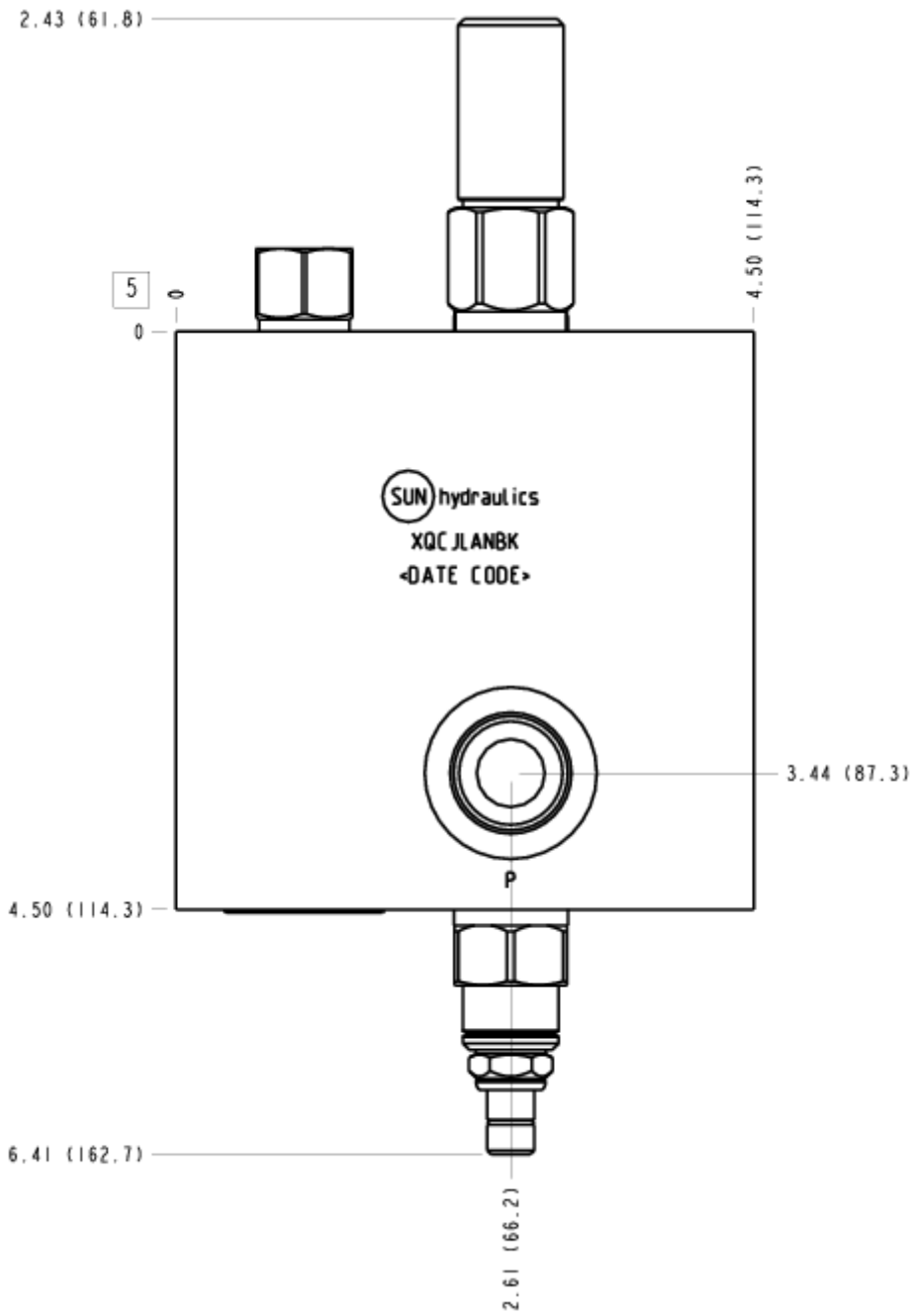
FACE GRID

1	2	3	4
5	6	7	8
9	10	11	12

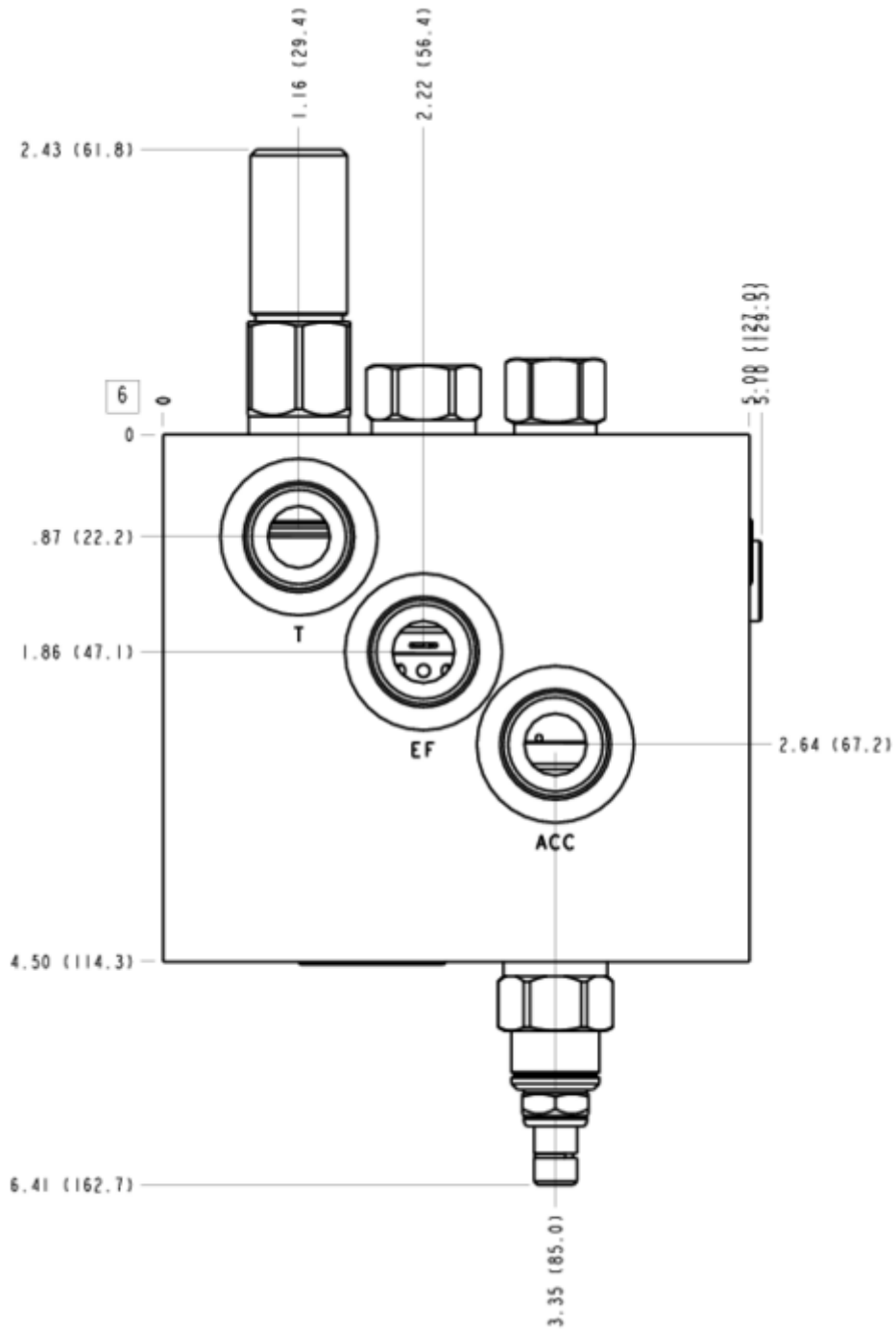
FACE 2



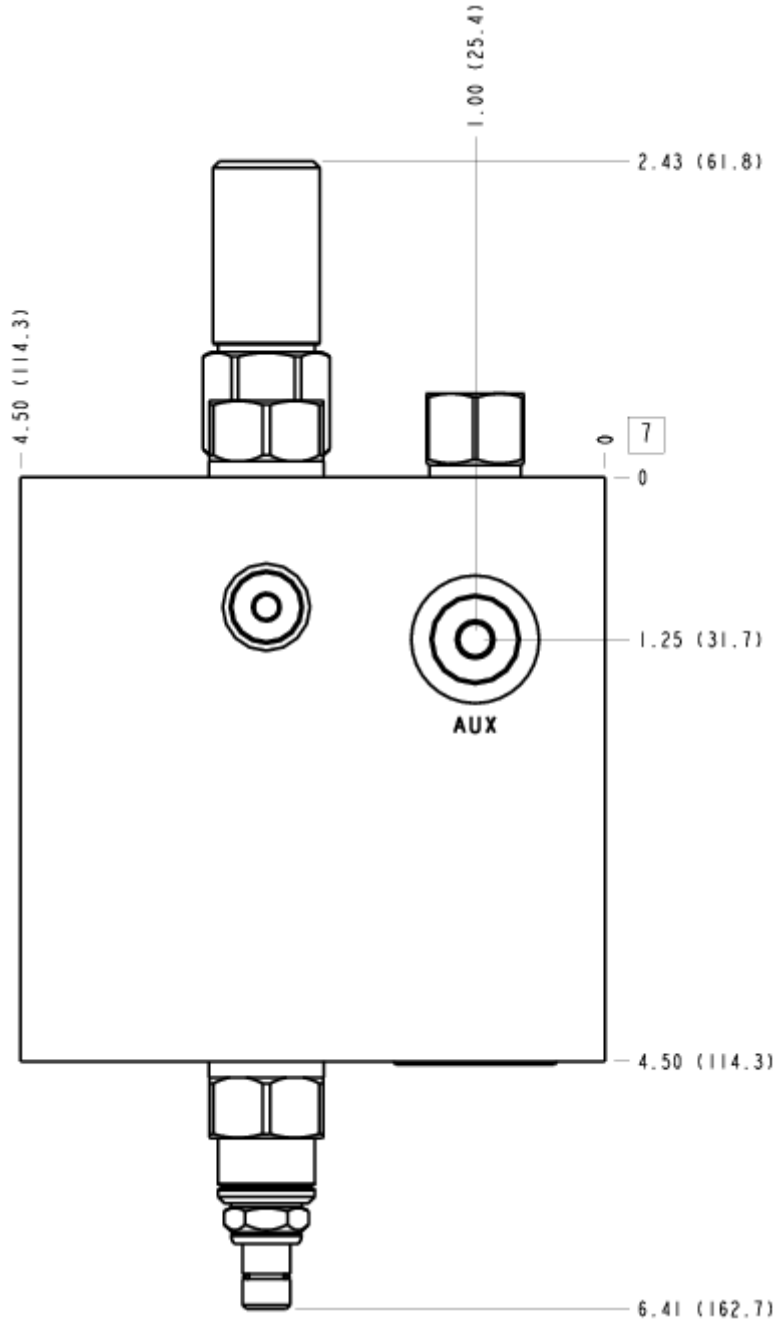
FACE 5



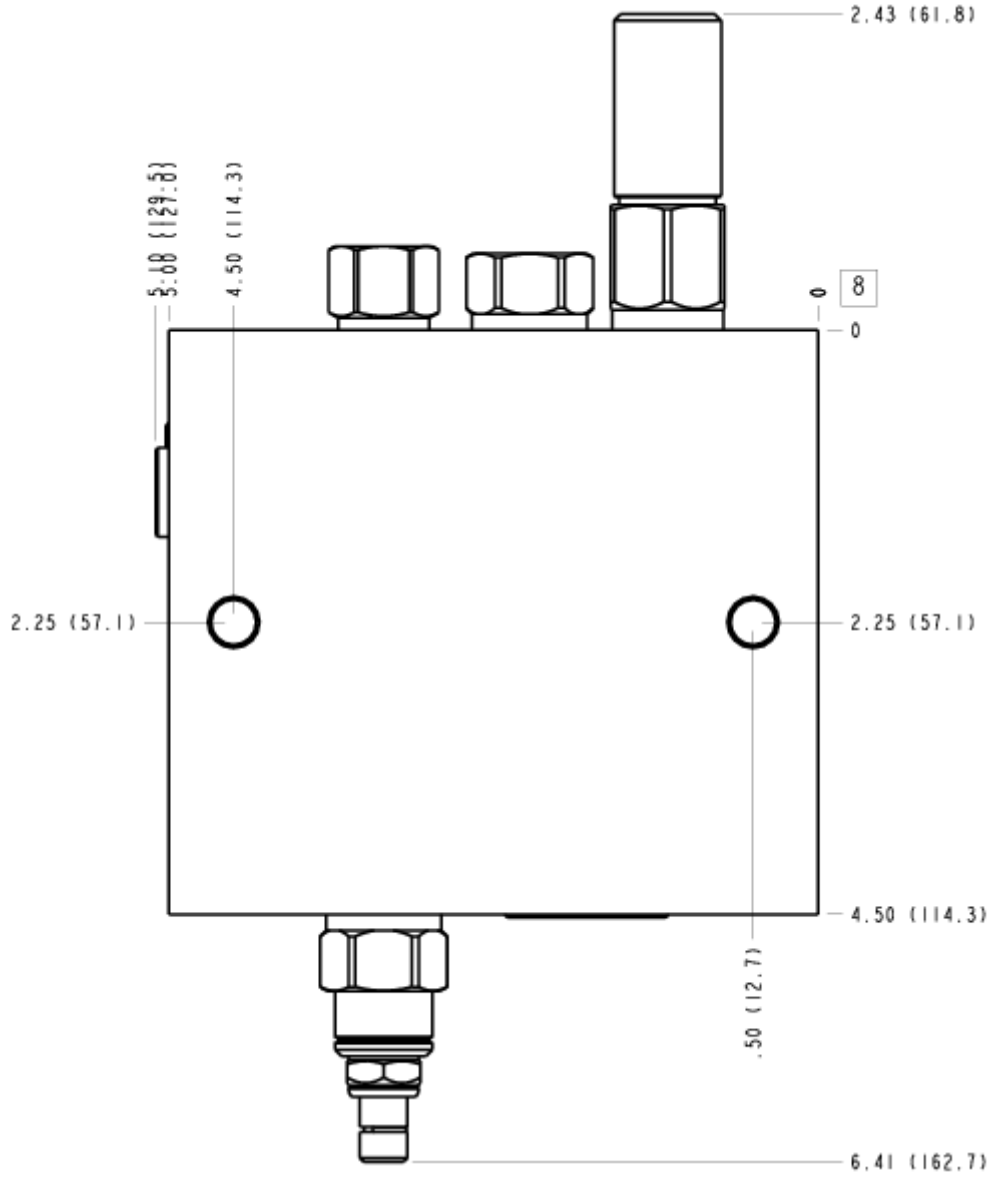
FACE 6



FACE 7



FACE 8



FACE 10

