

**TECHNICAL DATA** NOTE: DATA MAY VARY BY CONFIGURATION. SEE CONFIGURATION SECTION.

	80 L/min.
	10,4 mm
	Through
	2

**OPTION SELECTION EXAMPLE: XQEFLANBM**

(L) (A) (N)

<b>L</b>	<b>A</b> 1000 - 3000 psi (70 - 210 bar), 1000 psi (70 bar)	<b>N</b> V
----------	--	---------------

**PRIMARY CARTRIDGE (B)**

<b>B</b>	20% (with QPAB primary cartridge, 20%, , - )
<b>E</b>	10% (with QPAE primary cartridge, 10%, , - )
<b>D</b>	50% (with QPAD primary cartridge, 50%, , - )
<b>C</b>	30% (with QPAC primary cartridge, 30%, , - )
<b>A</b>	15% (with QPAA primary cartridge, 15%, , - )

**INCLUDED COMPONENTS**

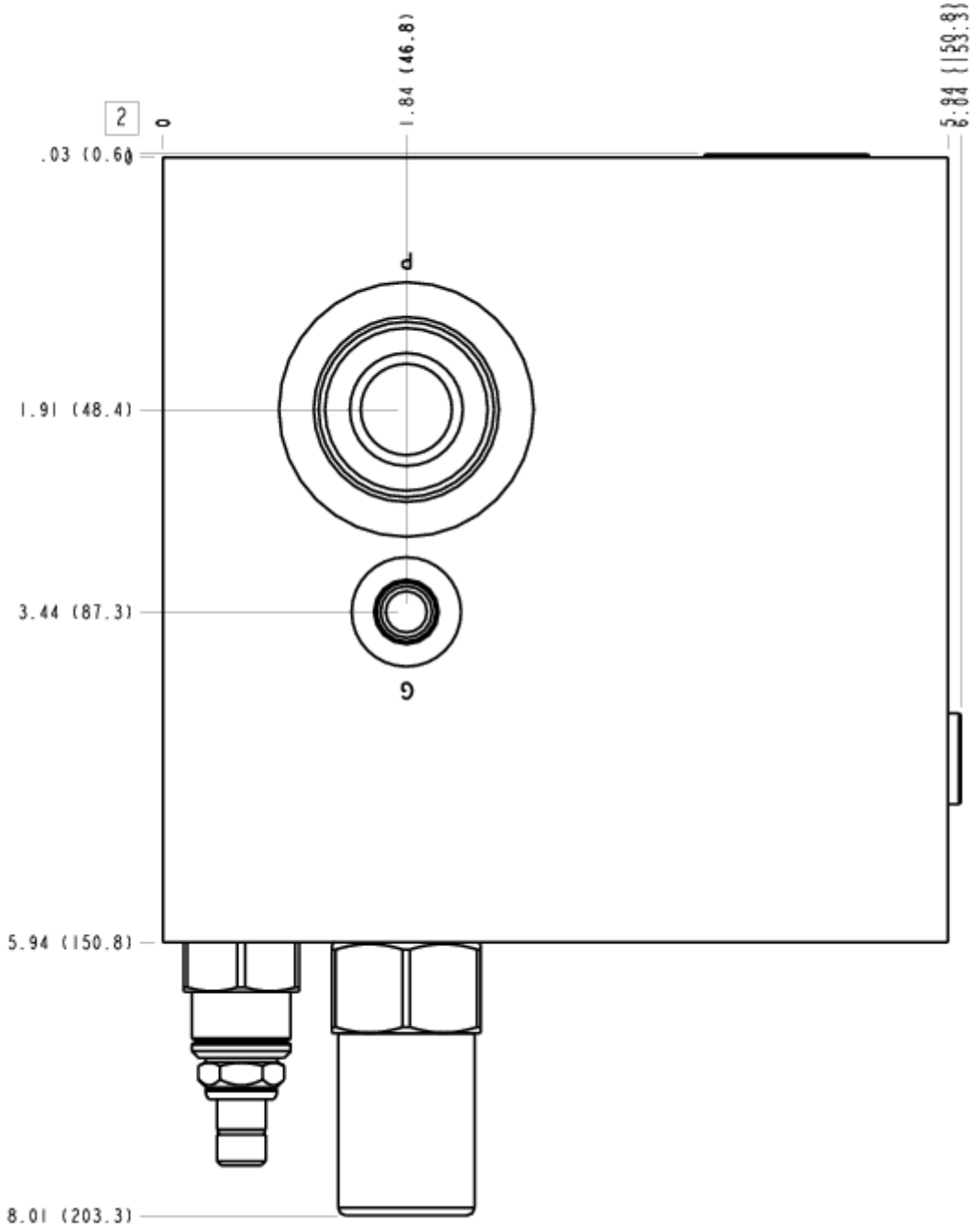
Part	Description	Quantity
A330-006-006*	SAE Plug	1
A330-006-012*	SAE Plug	1
CXFAXCN	Cartridge	1
LPBDXFN	Cartridge	1
QPABLAN	Cartridge - Primary	1
RVEFXAN	Cartridge	1

**MANIFOLD FACES**

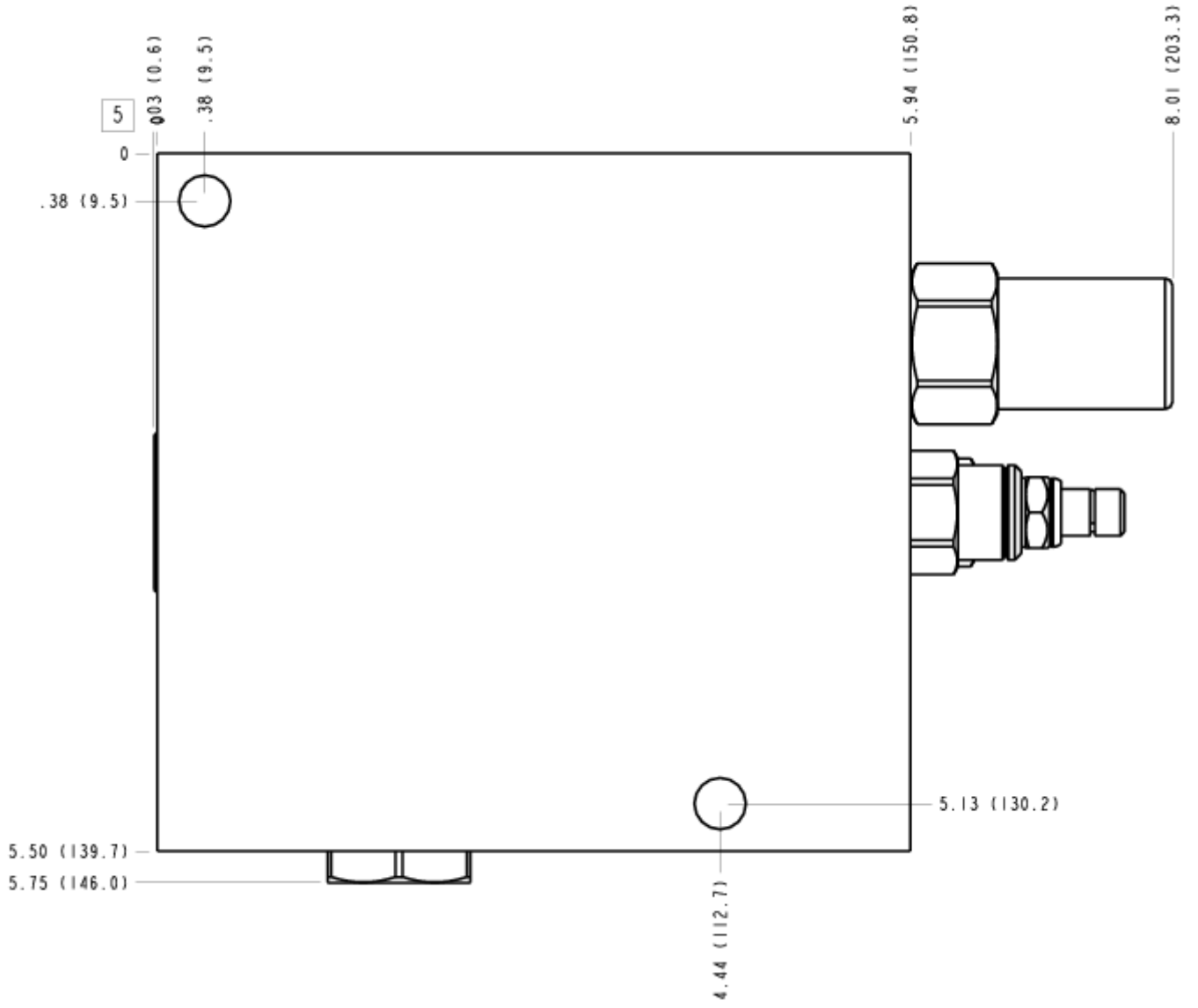
**FACE GRID**

1	2	3	4
5	6	7	8
9	10	11	12

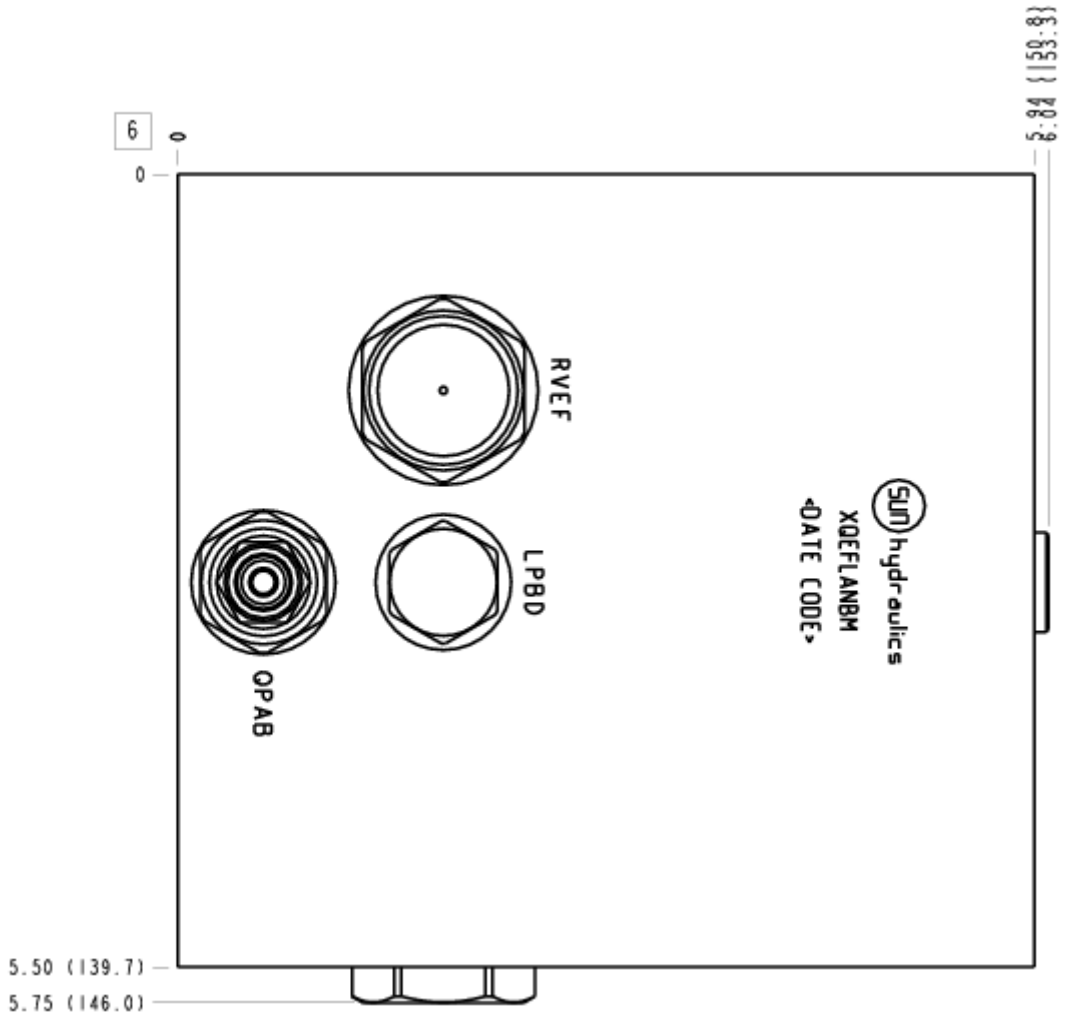
FACE 2



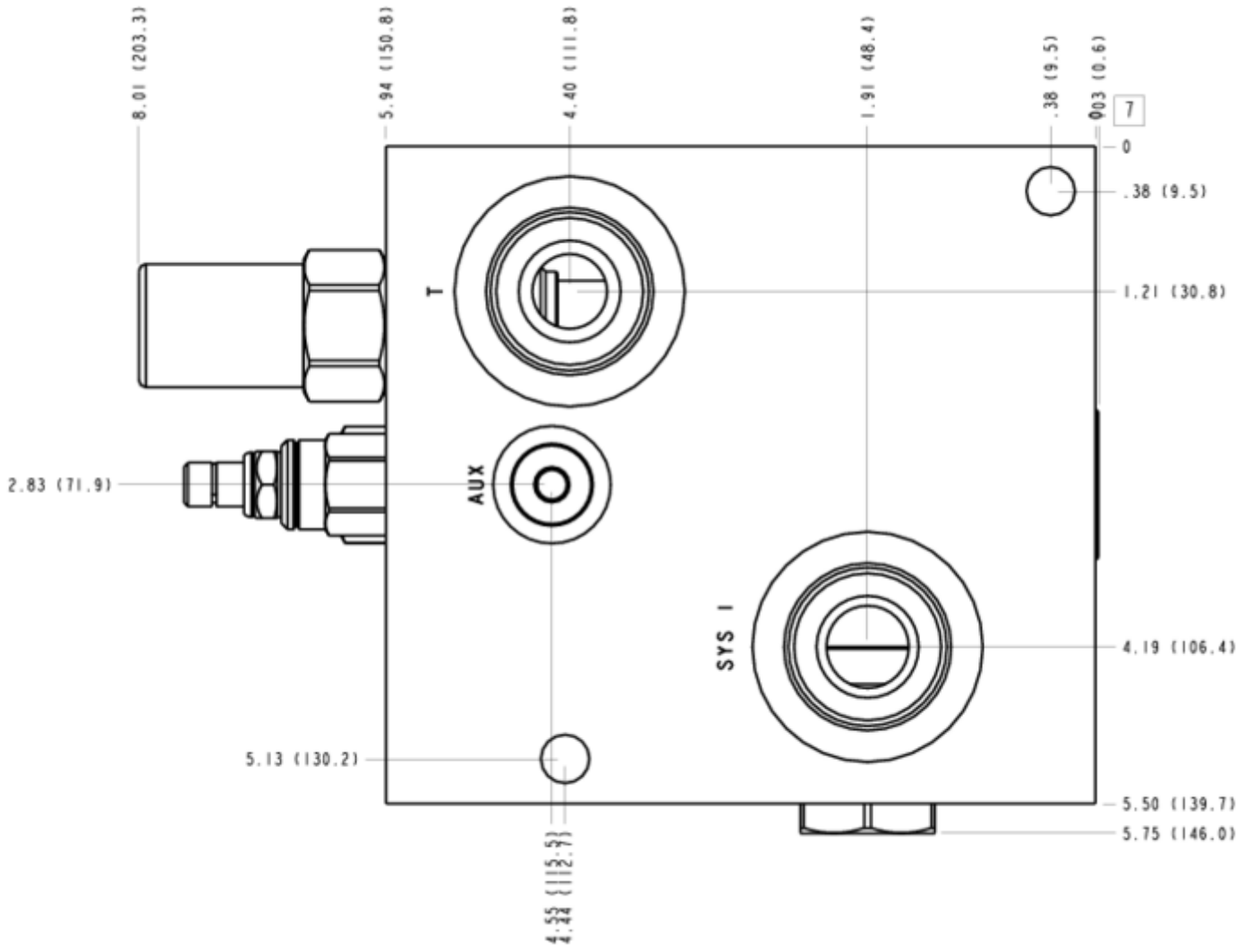
# FACE 5



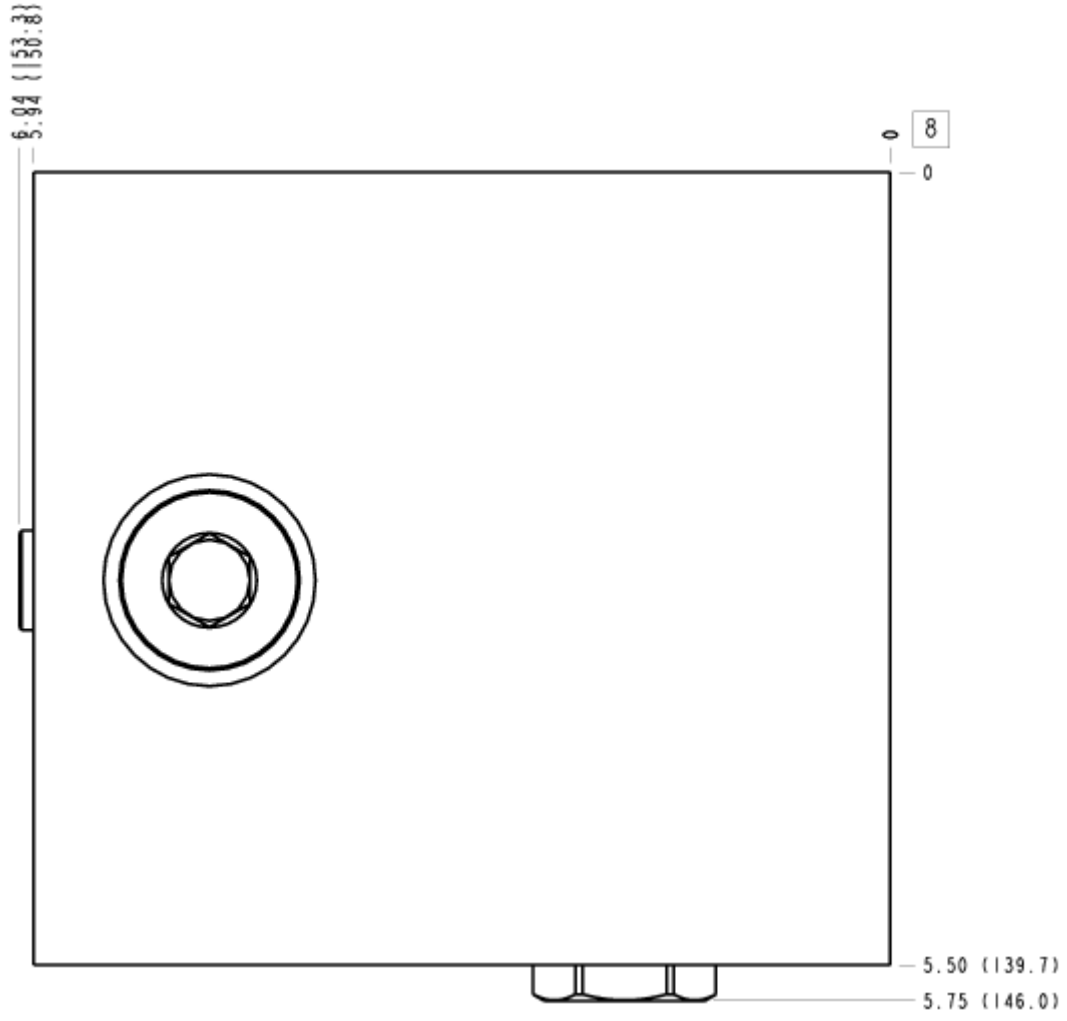
FACE 6



FACE 7



FACE 8



FACE 10

