

**TECHNICAL DATA** NOTE: DATA MAY VARY BY CONFIGURATION. SEE CONFIGURATION SECTION.

|  |           |
|--|-----------|
|  |           |
|  |           |
|  | 80 L/min. |
|  | 3,5 bar   |
|  | 10,4 mm   |
|  | Through   |
|  | 2         |

**OPTION SELECTION EXAMPLE: XQEGLANBM**

(L) (A) (N)

|          |  |               |
|----------|--|---------------|
| <b>L</b> | <b>A</b> 1000 - 3000 psi (70 - 210 bar), 1000 psi (70 bar) | <b>N</b><br>V |
|----------|--|---------------|

**PRIMARY CARTRIDGE (B)**

|          |  |
|----------|--|
| <b>B</b> | 20% (with QPAB primary cartridge, 20%, , - ) |
| <b>E</b> | 10% (with QPAE primary cartridge, 10%, , - ) |
| <b>D</b> | 50% (with QPAD primary cartridge, 50%, , - ) |
| <b>C</b> | 30% (with QPAC primary cartridge, 30%, , - ) |
| <b>A</b> | 15% (with QPAA primary cartridge, 15%, , - ) |

**INCLUDED COMPONENTS**

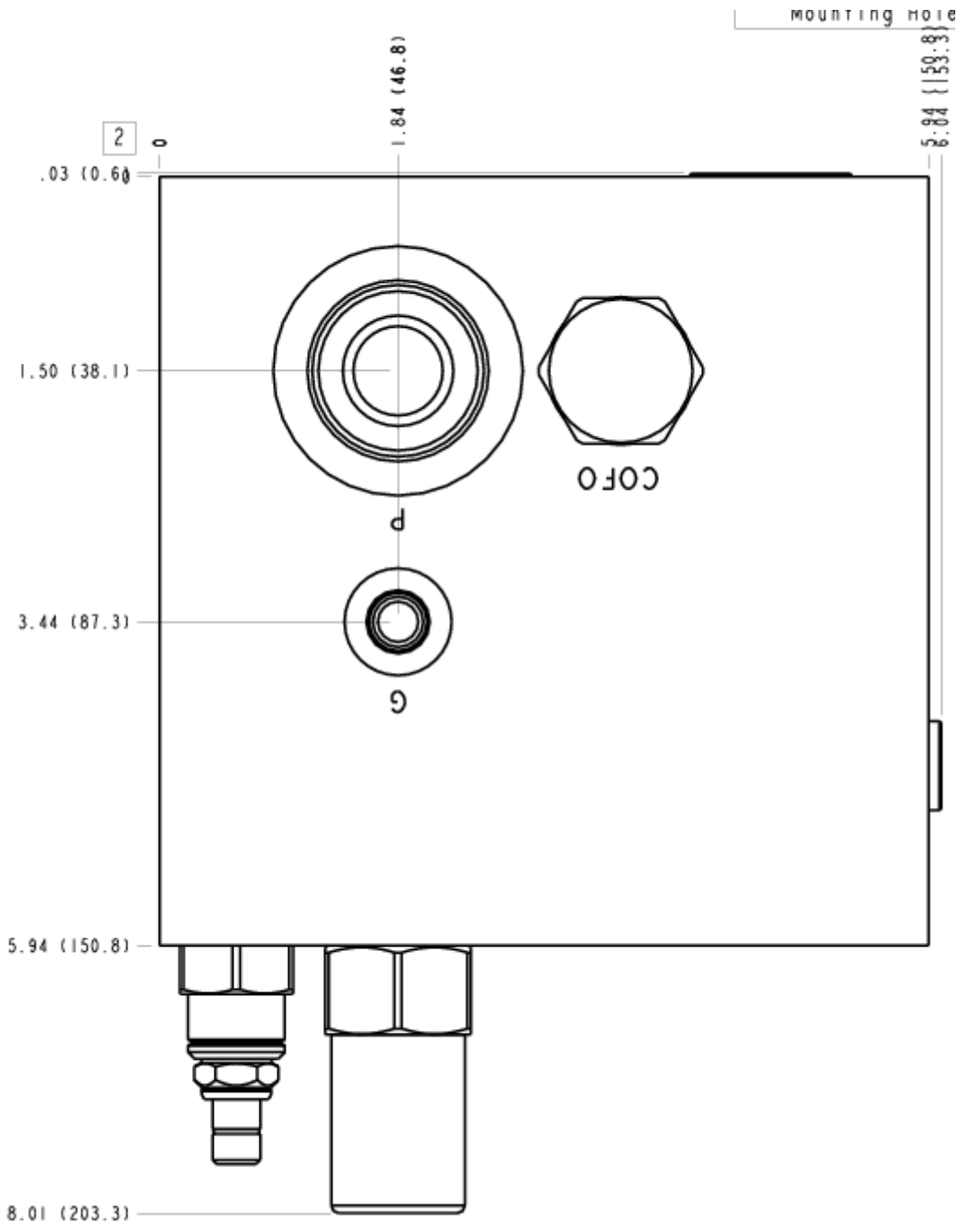
| Part          | Description         | Quantity |
|---------------|---------------------|----------|
| A330-006-006* | SAE Plug            | 1        |
| A330-006-012* | SAE Plug            | 1        |
| COFOXDN       | Cartridge           | 1        |
| CXFAXCN       | Cartridge           | 1        |
| LPBDXFN       | Cartridge           | 1        |
| QPABLAN       | Cartridge - Primary | 1        |
| RVEFXAN       | Cartridge           | 1        |

**MANIFOLD FACES**

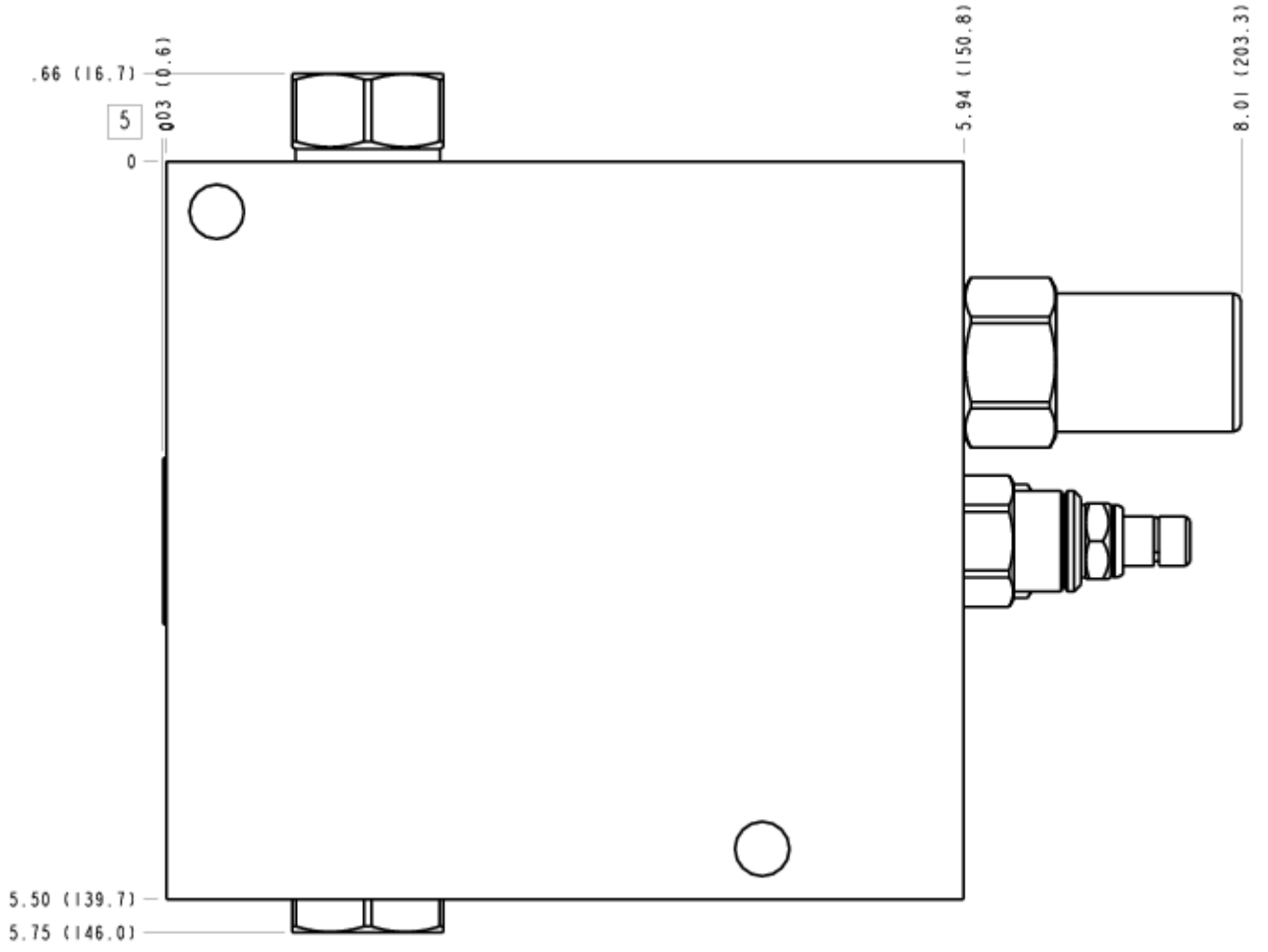
**FACE GRID**

|   |    |    |    |
|---|----|----|----|
| 1 | 2  | 3  | 4  |
| 5 | 6  | 7  | 8  |
| 9 | 10 | 11 | 12 |

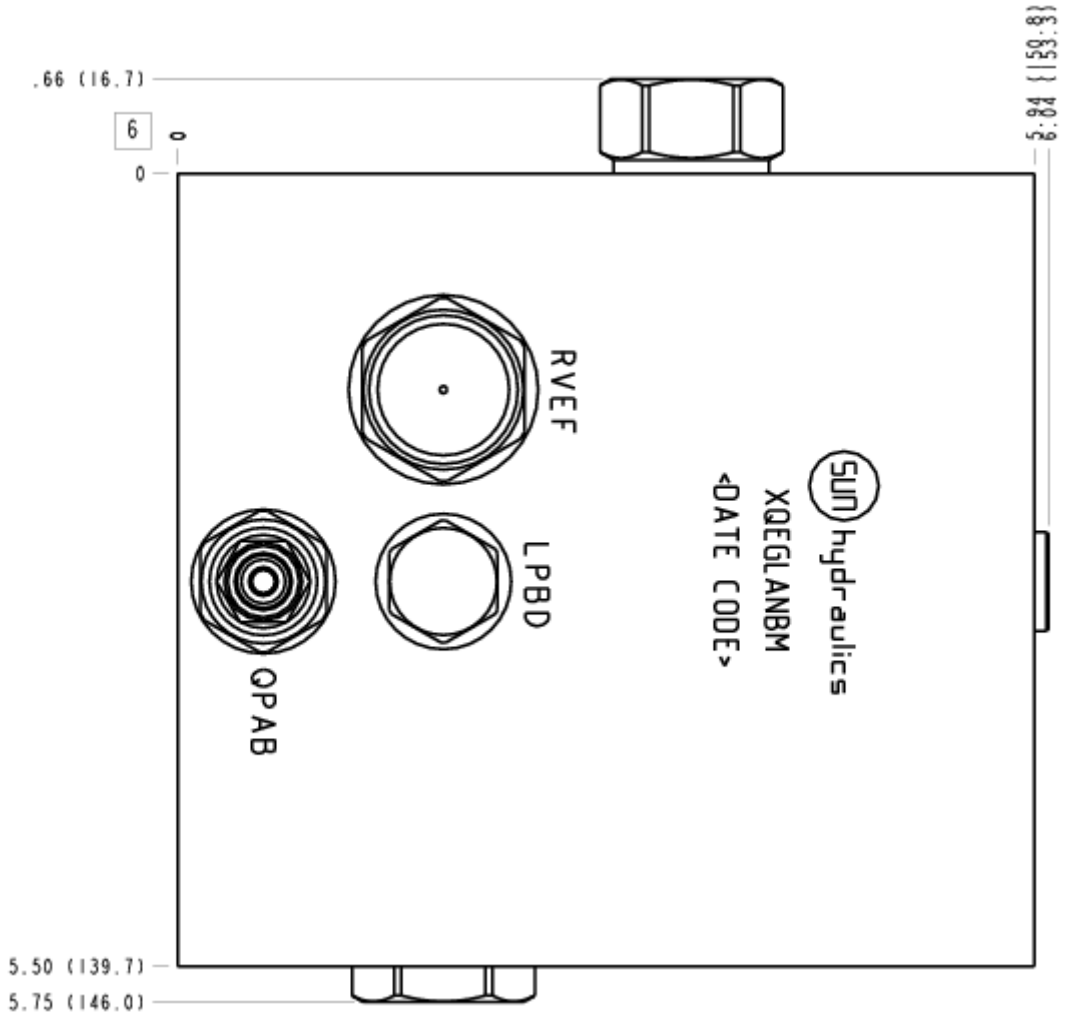
# FACE 2



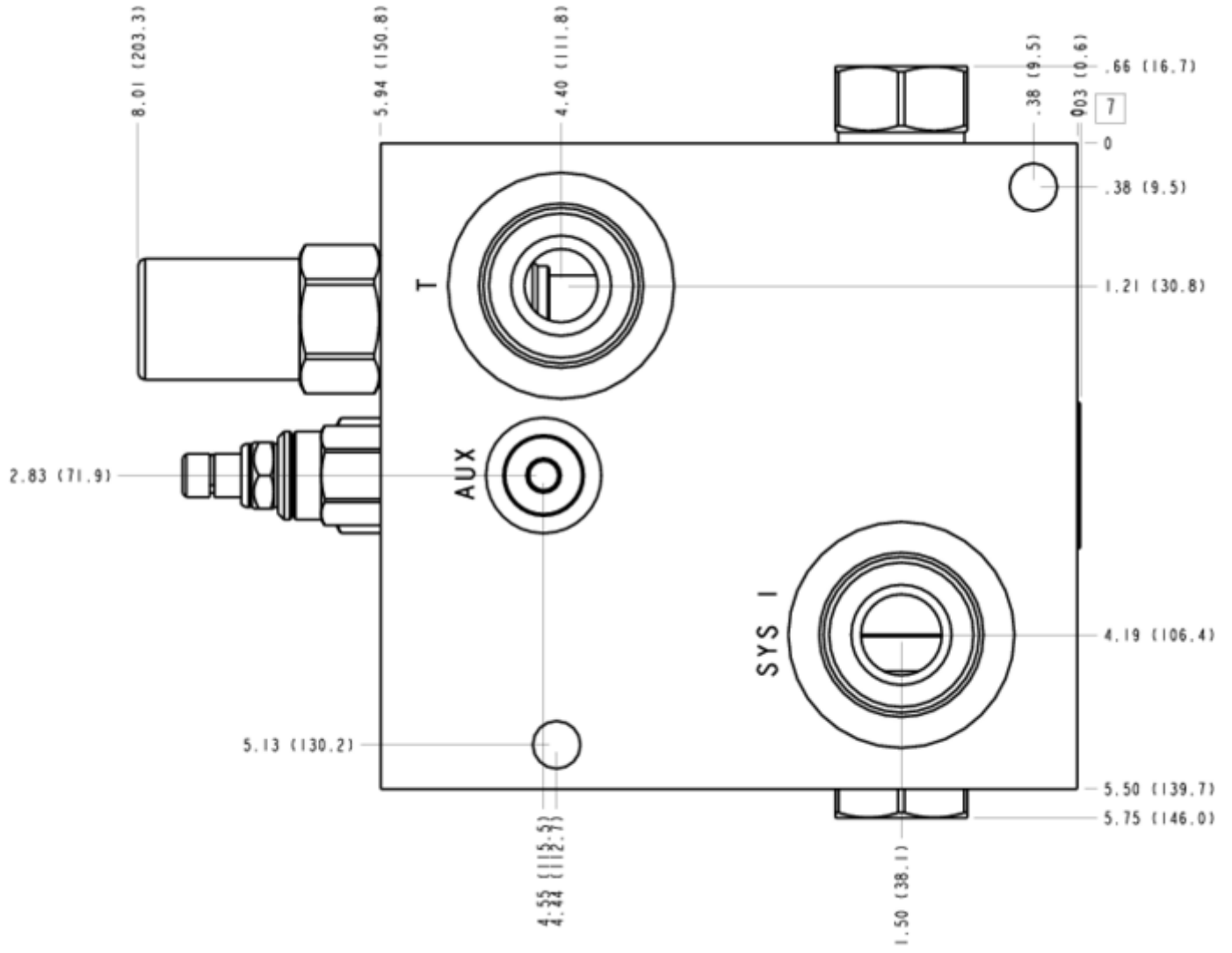
# FACE 5



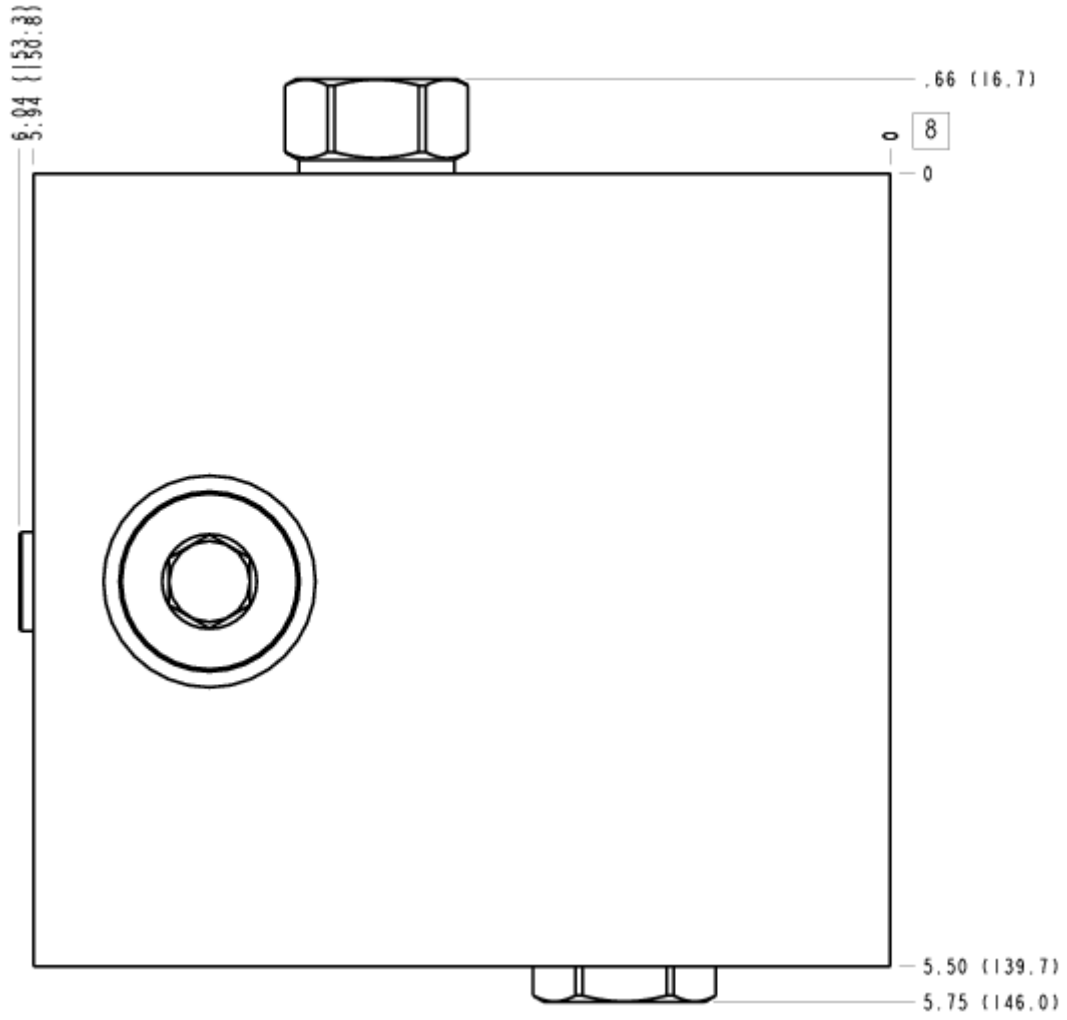
FACE 6



# FACE 7



FACE 8



FACE 10

