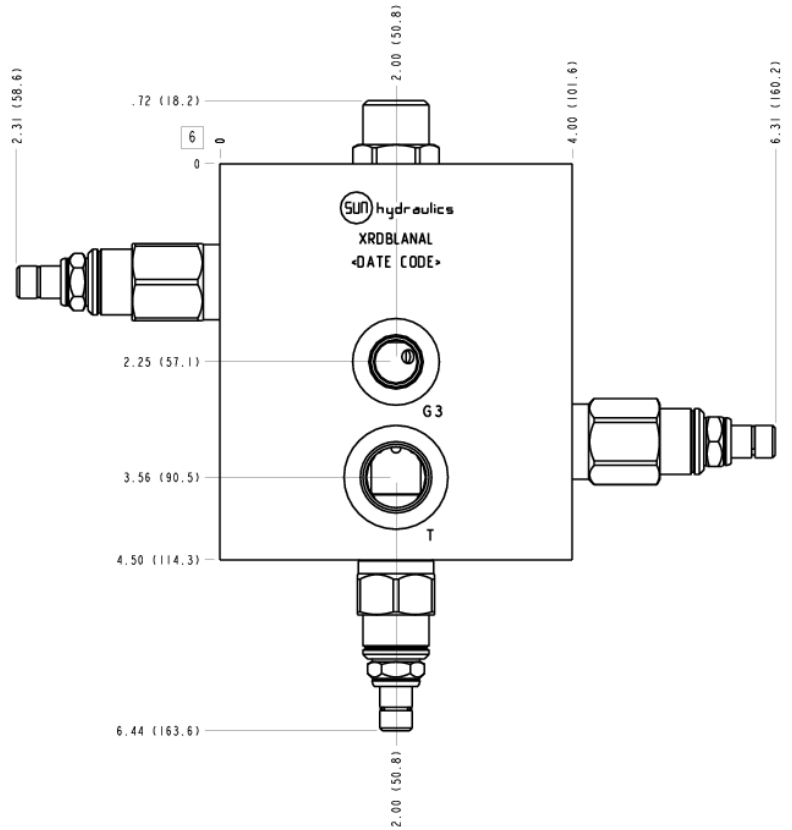


CONFIGURATION

L	
A	500 - 3000 psi (35 - 210 bar), 1000 psi (70 bar)
N	
A	Primary Cartridge A (with RDDA primary cartridge,)
L	Port and Material Designation Ports 1 & 2 — SAE 12; Port T — SAE 8; Gage Ports — SAE 6; Mtg Holes — .375 - 16UNC x .62 DP; Aluminum



TECHNICAL DATA NOTE: DATA MAY VARY BY CONFIGURATION. SEE CONFIGURATION SECTION.

	40 L/min.
	4

OPTION SELECTION EXAMPLE: XRDBLANAL

(L) (A) (N)

L	A	500 - 3000 psi (35 - 210 bar), 1000 psi (70 bar)	N
C	C	1000 - 6000 psi (70 - 420 bar), 1000 psi (70 bar)	V
	W	800 - 4500 psi (55 - 315 bar), 1000 psi (70 bar)	

PRIMARY CARTRIDGE (A)

A	A (with RDDA primary cartridge,)
A	A (with RDDA3 primary cartridge,)

INCLUDED COMPONENTS

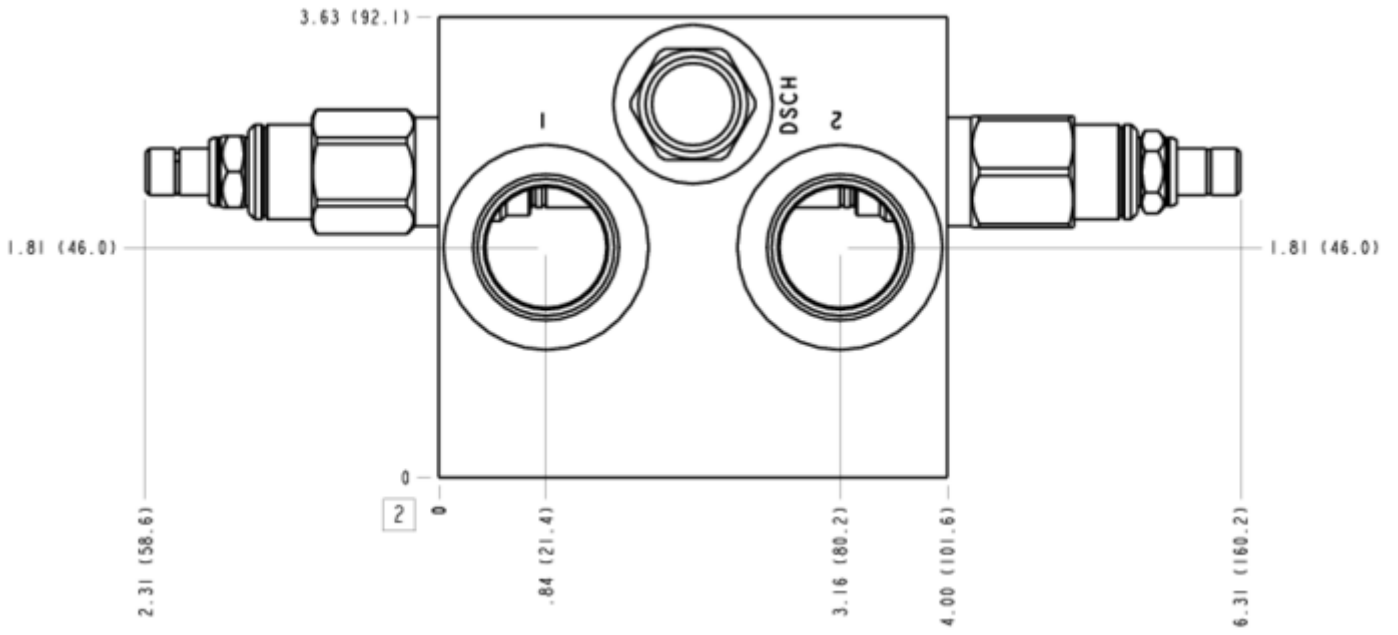
Part	Description	Quantity
DSCHXHN	Cartridge	1
RDDALAN	Cartridge - Primary	2
RPECLNN	Cartridge	1

MANIFOLD FACES

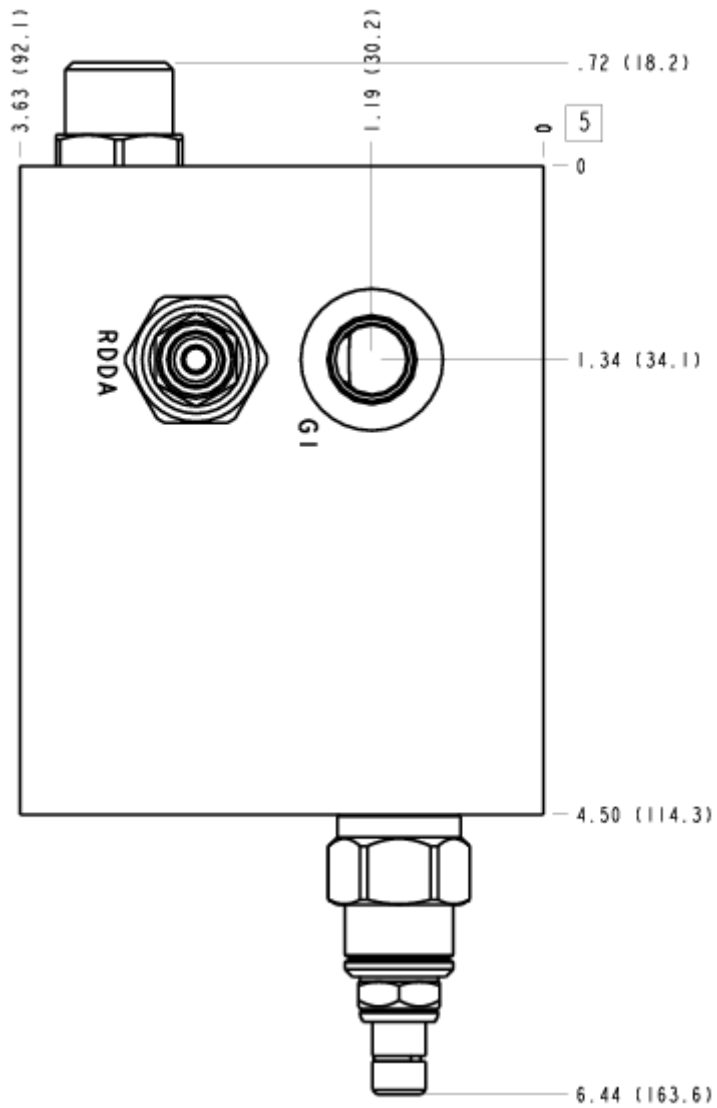
FACE GRID

1	2	3	4
5	6	7	8
9	10	11	12

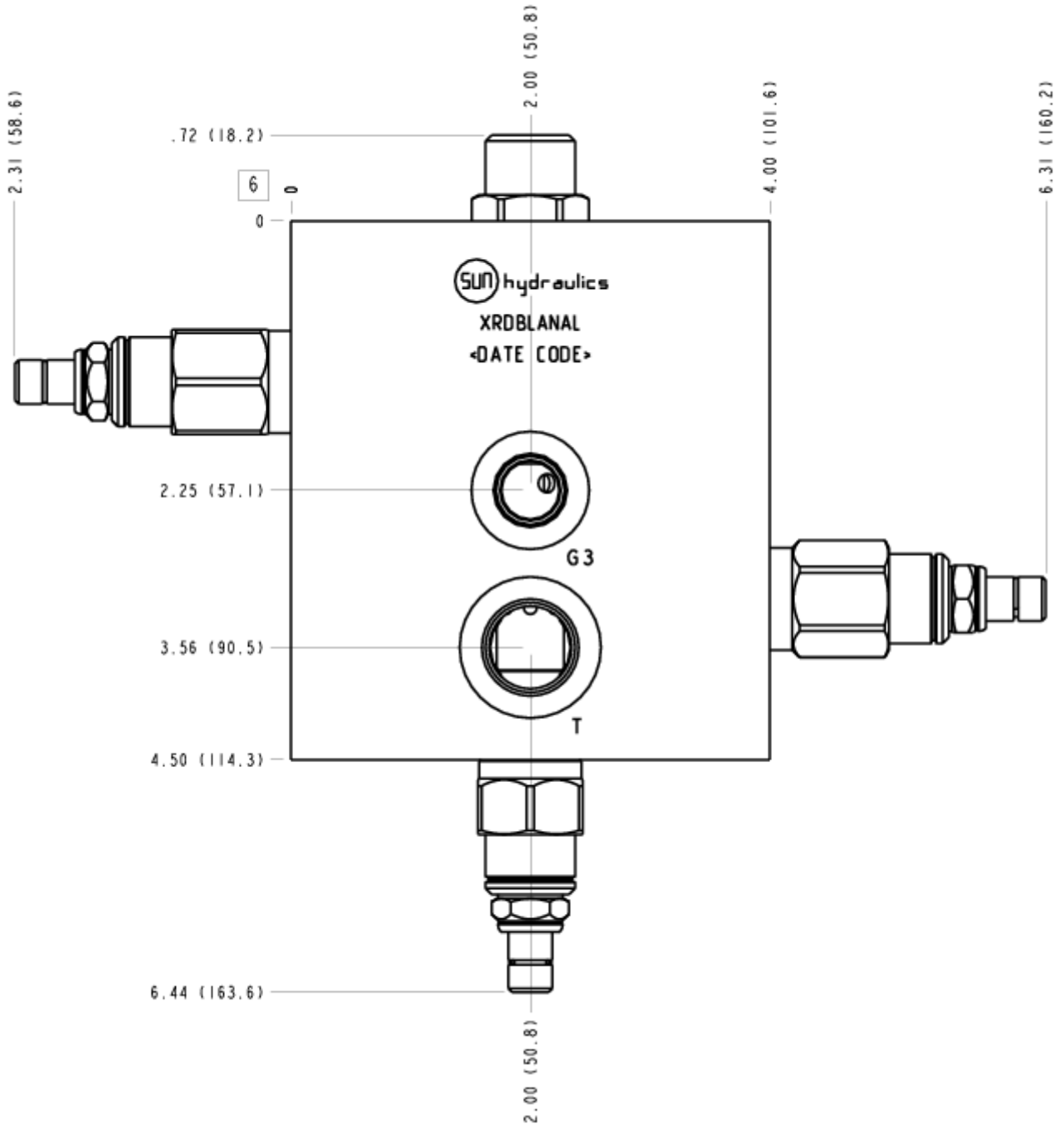
FACE 2



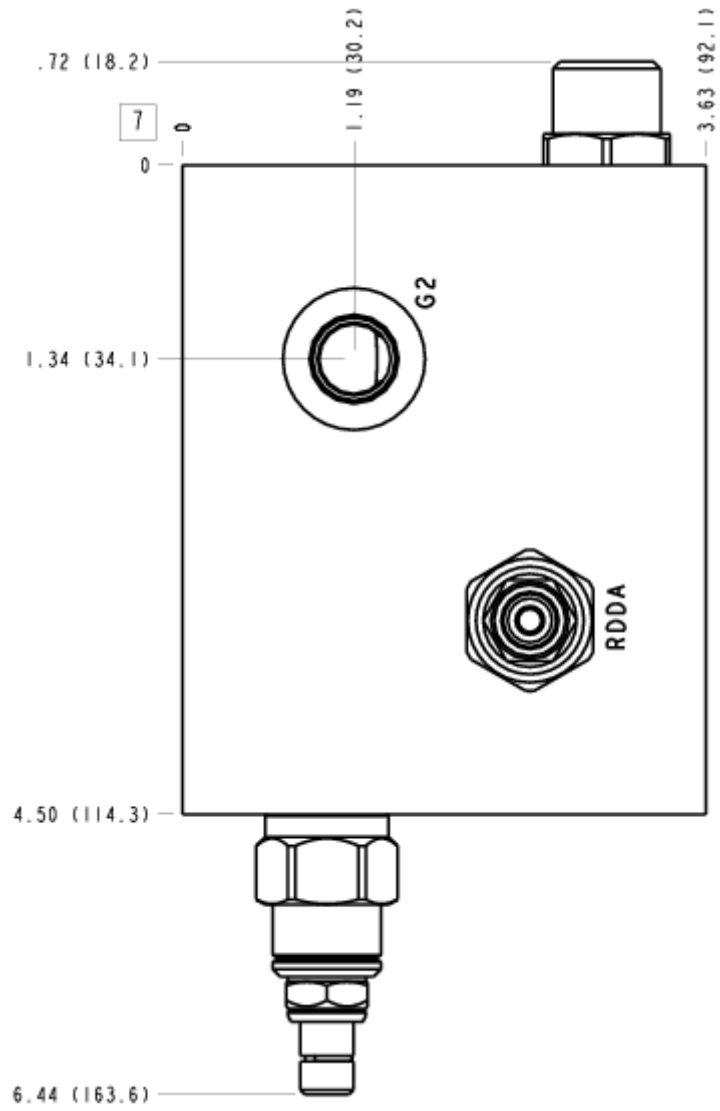
FACE 5



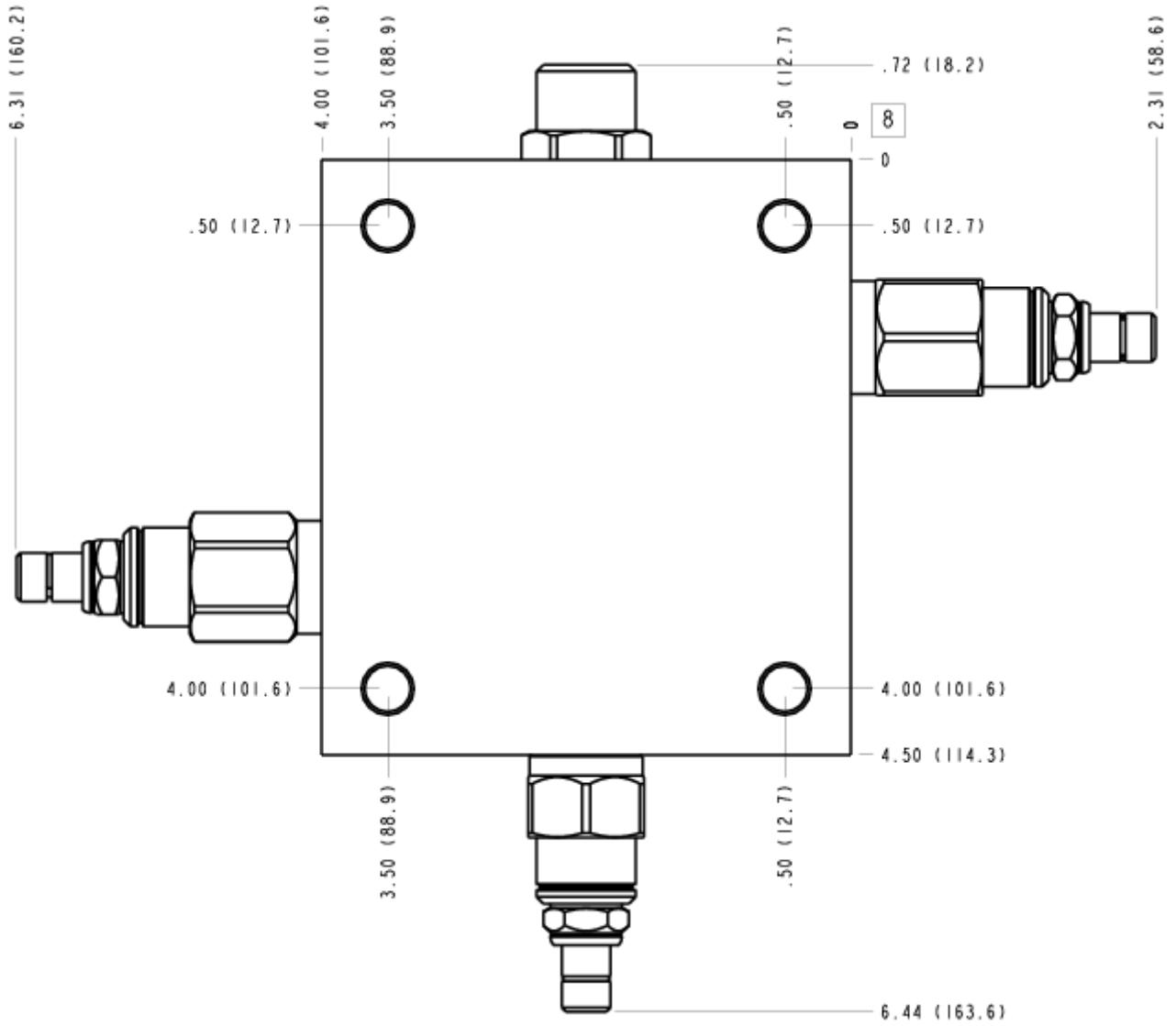
FACE 6



FACE 7



FACE 8



FACE 10

