

### TECHNICAL DATA

Body Type	Line mount
Interface	None
Capacity	40 L/min.
Mounting Hole Quantity	4

**OPTION SELECTION EXAMPLE: XRDCLANHL**

CONTROL	(L) ADJUSTMENT RANGE	(A) SEAL MATERIAL	(N)
<b>L</b> Standard Screw Adjustment	<b>A</b> 100 - 3000 psi (7 - 210 bar), 1000 psi (70 bar) Standard Setting	<b>N</b> Buna-N	
<b>C</b> Tamper Resistant - Factory Set	<b>B</b> 50 - 1500 psi (3,5 - 105 bar), 1000 psi (70 bar) Standard Setting	<b>V</b> Viton	
<b>F</b> Hex Head Screw with Locknut	<b>C</b> 150 - 6000 psi (10,5 - 420 bar), 1000 psi (70 bar) Standard Setting		
<b>W</b> Hex Wrench Adjustment	<b>D</b> 25 - 800 psi (1,7 - 55 bar), 400 psi (28 bar) Standard Setting		
<b>Y</b> manilla de tres agarres	<b>E</b> 25 - 400 psi (1,7 - 28 bar), 200 psi (14 bar) Standard Setting		
	<b>N</b> 60 - 800 psi (4 - 55 bar), 400 psi (28 bar) Standard Setting		
	<b>Q</b> 60 - 400 psi (4 - 28 bar), 200 psi (14 bar) Standard Setting		
	<b>W</b> 150 - 4500 psi (10,5 - 315 bar), 1000 psi (70 bar) Standard Setting		

**PRIMARY CARTRIDGE (H)**

<b>H</b>	200 psi (14 bar) (with RPEC primary cartridge, Pilot-operated, pistón balanceado alivio válvula )
<b>A</b>	200 psi (14 bar) (with RPEC primary cartridge, Pilot-operated, pistón balanceado alivio válvula )
<b>E</b>	75 psi (5 bar) (with RPEC primary cartridge, Pilot-operated, pistón balanceado alivio válvula )
<b>G</b>	150 psi (10,5 bar) (with RPEC primary cartridge, Pilot-operated, pistón balanceado alivio válvula )
<b>H</b>	200 psi (14 bar) (with RPEC8 primary cartridge, Pilot-operated, pistón balanceado alivio módulo principal con cavidad de control T-8A integral )
<b>G</b>	150 psi (10,5 bar) (with RPEC8 primary cartridge, Pilot-operated, pistón balanceado alivio módulo principal con cavidad de control T-8A integral )
<b>E</b>	75 psi (5 bar) (with RPEC8 primary cartridge, Pilot-operated, pistón balanceado alivio módulo principal con cavidad de control T-8A integral )
<b>A</b>	200 psi (14 bar) (with RPEC8 primary cartridge, Pilot-operated, pistón balanceado alivio módulo principal con cavidad de control T-8A integral )

**INCLUDED COMPONENTS**

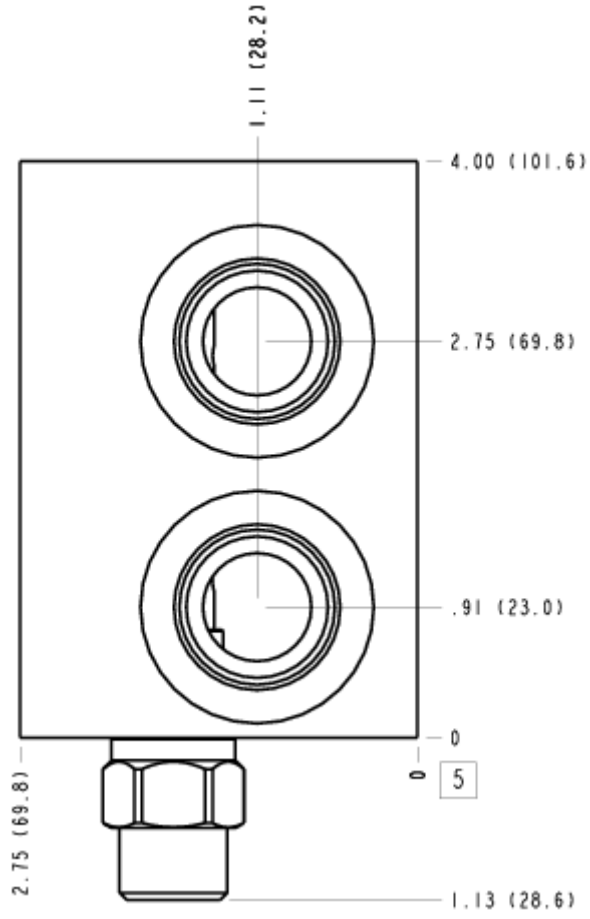
Part	Description	Quantity
DSCHXHN	Cartridge	1
RPECLAN	Cartridge - Primary	1

**MANIFOLD FACES**

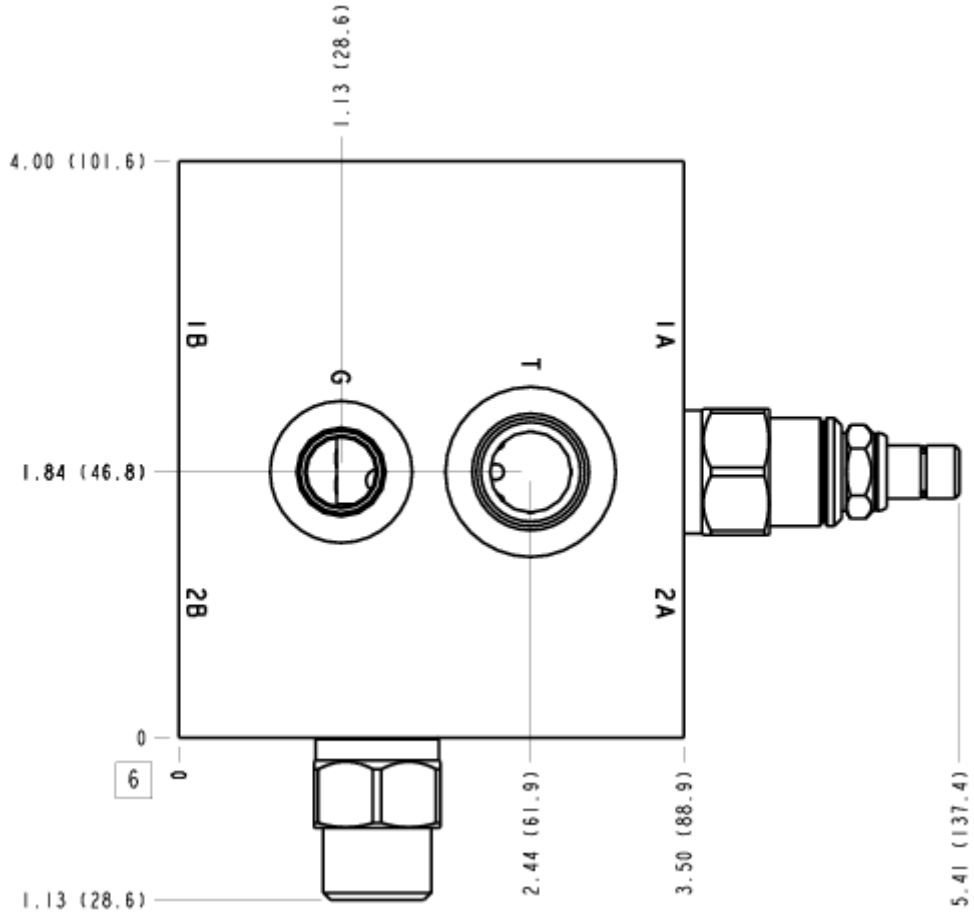
**FACE GRID**

5	6	7	8
9	10	11	12

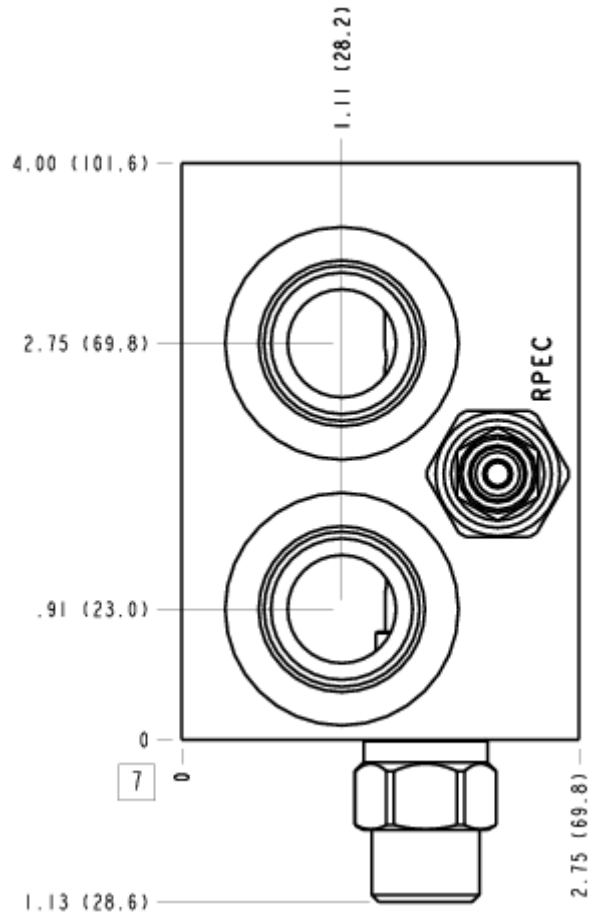
FACE 5



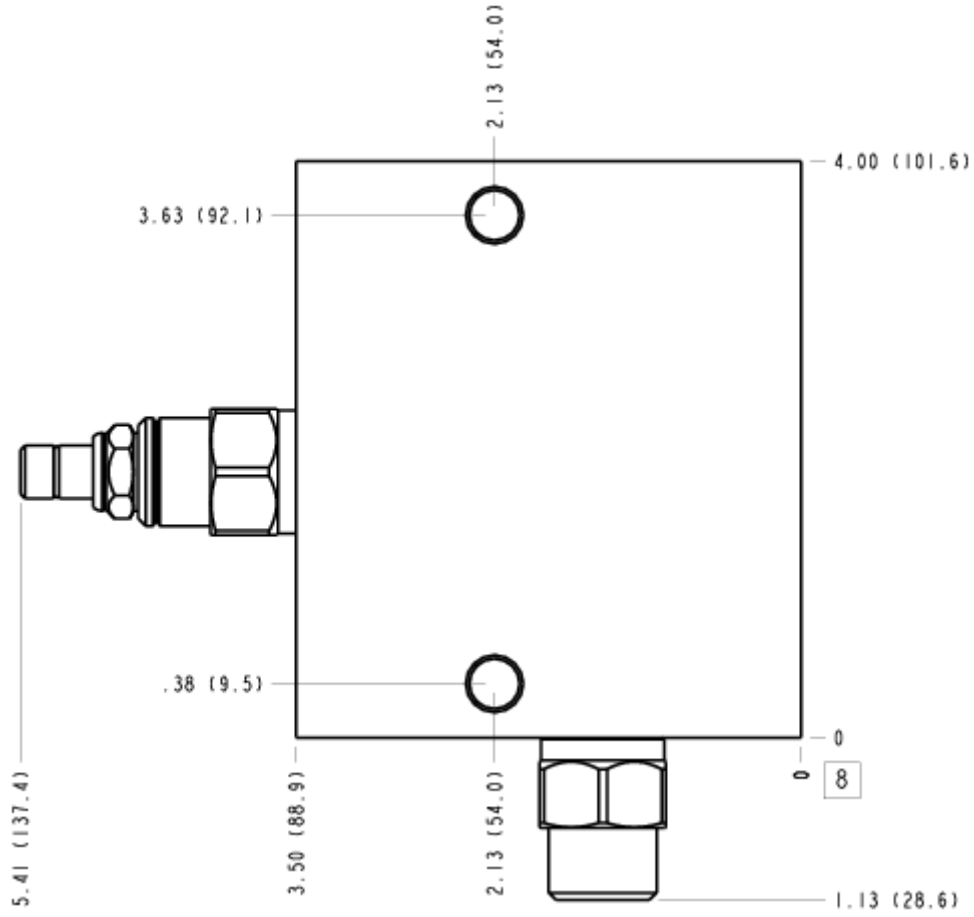
FACE 6



FACE 7



### FACE 8



### FACE 10

