

TECHNICAL DATA NOTE: DATA MAY VARY BY CONFIGURATION. SEE CONFIGURATION SECTION.

	None
	40 L/min.
	4

OPTION SELECTION EXAMPLE: XRDCCLNNHL

(L) (N) (N)

L	N 60 - 800 psi (4 - 55 bar), 400 psi (28 bar)	N
----------	--	----------

V

PRIMARY CARTRIDGE

(H)

H	200 psi (14 bar) (with RPEC primary cartridge, ,)		
A	200 psi (14 bar) (with RPEC primary cartridge, ,)		
E	75 psi (5 bar) (with RPEC primary cartridge, ,)		
G	150 psi (10,5 bar) (with RPEC primary cartridge, ,)		
H	200 psi (14 bar) (with RPEC8 primary cartridge, ,	T-8A)
G	150 psi (10,5 bar) (with RPEC8 primary cartridge, ,	T-8A)
E	75 psi (5 bar) (with RPEC8 primary cartridge, ,	T-8A)
A	200 psi (14 bar) (with RPEC8 primary cartridge, ,	T-8A)

INCLUDED COMPONENTS

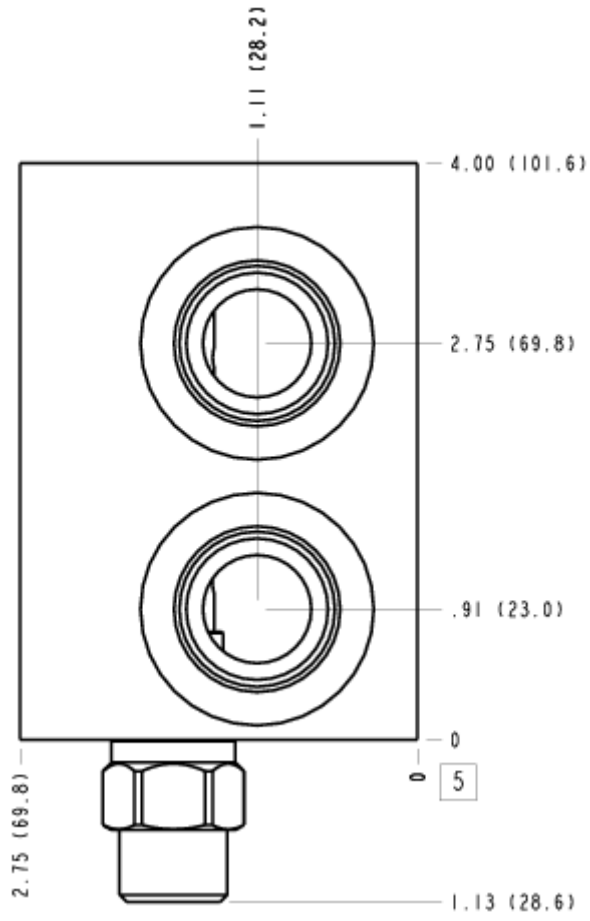
Part	Description	Quantity
DSCHXHN	Cartridge	1
RPECLNN	Cartridge - Primary	1

MANIFOLD FACES

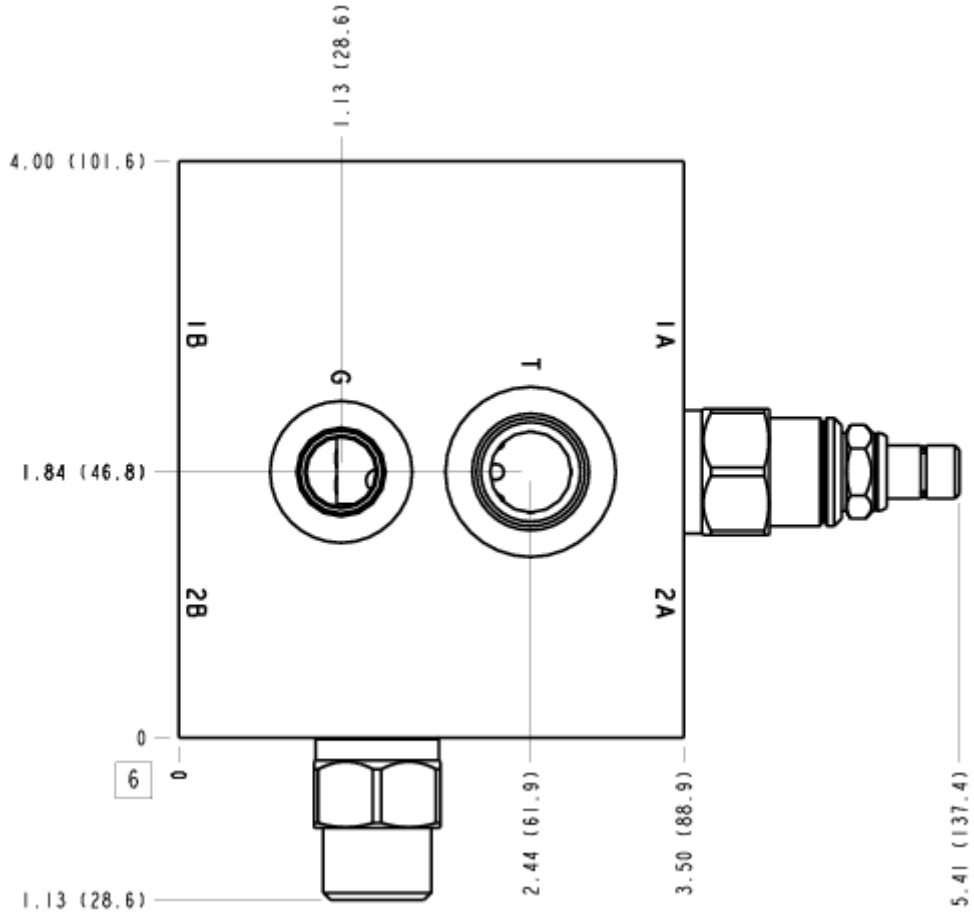
FACE GRID

5	6	7	8
9	10	11	12

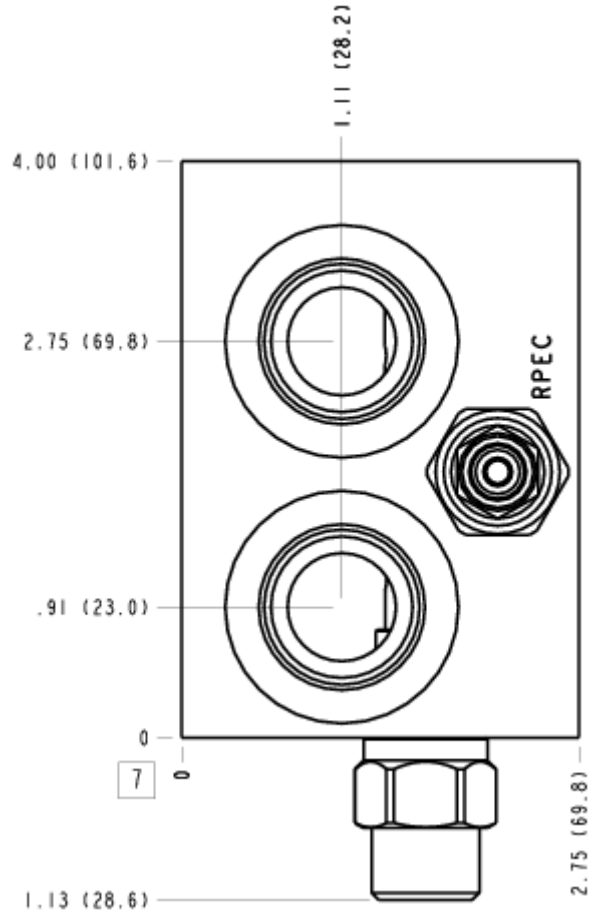
FACE 5



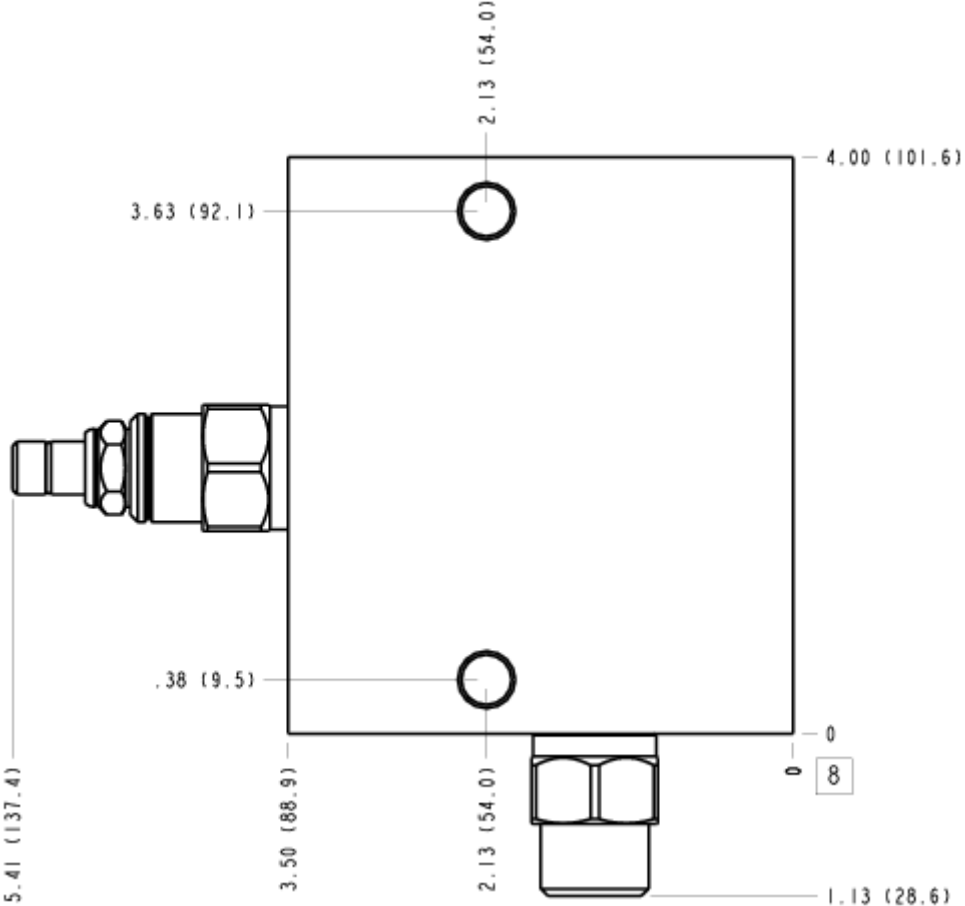
FACE 6



FACE 7



FACE 8



FACE 10

