

This valve assembly provides a flushing circuit for hydrostatic transmissions. The hot oil flushing circuit allows a discharge of oil from the low pressure side of the loop. The charge pump replaces the hot, dirty oil with cool, filtered oil. The hot oil discharge is often passed through the cases of the pump and the motor, flushing hot, dirty oil from them as well.

**TECHNICAL DATA** NOTE: DATA MAY VARY BY CONFIGURATION. SEE CONFIGURATION SECTION.

Body Type	Motor mount
Interface	0.75 SAE C62
Capacity	10 gpm
Mounting Hole Quantity	8

- NOTES:**
- **Important:** Carefully consider the maximum system pressure. The pressure rating of the manifold is dependent on the manifold material, with the port type/size a secondary consideration. Manifolds constructed of aluminum are not rated for pressures higher than 3000 psi (210 bar), regardless of the port type/size specified.
  - For detailed information regarding the cartridges contained in this assembly, click on the models codes shown in the Included Components tab.

**OPTION SELECTION EXAMPLE: XRDDLANA3**

CONTROL	(L) ADJUSTMENT RANGE	(A) SEAL MATERIAL	(N)
<b>L</b> Standard Screw Adjustment	<b>A</b> 100 - 3000 psi (7 - 210 bar), 1000 psi (70 bar) Standard Setting	<b>N</b> Buna-N	
<b>C</b> Tamper Resistant - Factory Set	<b>B</b> 50 - 1500 psi (3,5 - 105 bar), 1000 psi (70 bar) Standard Setting	<b>V</b> Viton	
<b>K</b> Handknob	<b>C</b> 150 - 6000 psi (10,5 - 420 bar), 1000 psi (70 bar) Standard Setting		
<b>W</b> Hex Wrench Adjustment	<b>D</b> 25 - 800 psi (1,7 - 55 bar), 400 psi (28 bar) Standard Setting		
<b>Y</b> Tri-Grip Handknob	<b>E</b> 25 - 400 psi (1,7 - 28 bar), 200 psi (14 bar) Standard Setting		
	<b>N</b> 60 - 800 psi (4 - 55 bar), 400 psi (28 bar) Standard Setting		
	<b>Q</b> 60 - 400 psi (4 - 28 bar), 200 psi (14 bar) Standard Setting		
	<b>W</b> 150 - 4500 psi (10,5 - 315 bar), 1000 psi (70 bar) Standard Setting		

**PRIMARY CARTRIDGE (A)**

<b>A</b>	A (with RPEC primary cartridge, Pilot-operated, balanced piston relief valve)
<b>A</b>	A (with RPEC8 primary cartridge, Pilot-operated, balanced piston relief main stage with integral T-8A control cavity)

**INCLUDED COMPONENTS**

Part	Description	Quantity
500-001-214*	O-Ring	2
A330-006-008*	SAE Plug	2
DSCHXHN	Cartridge	1
RPECLAN	Cartridge - Primary	1

**TECHNICAL FEATURES**

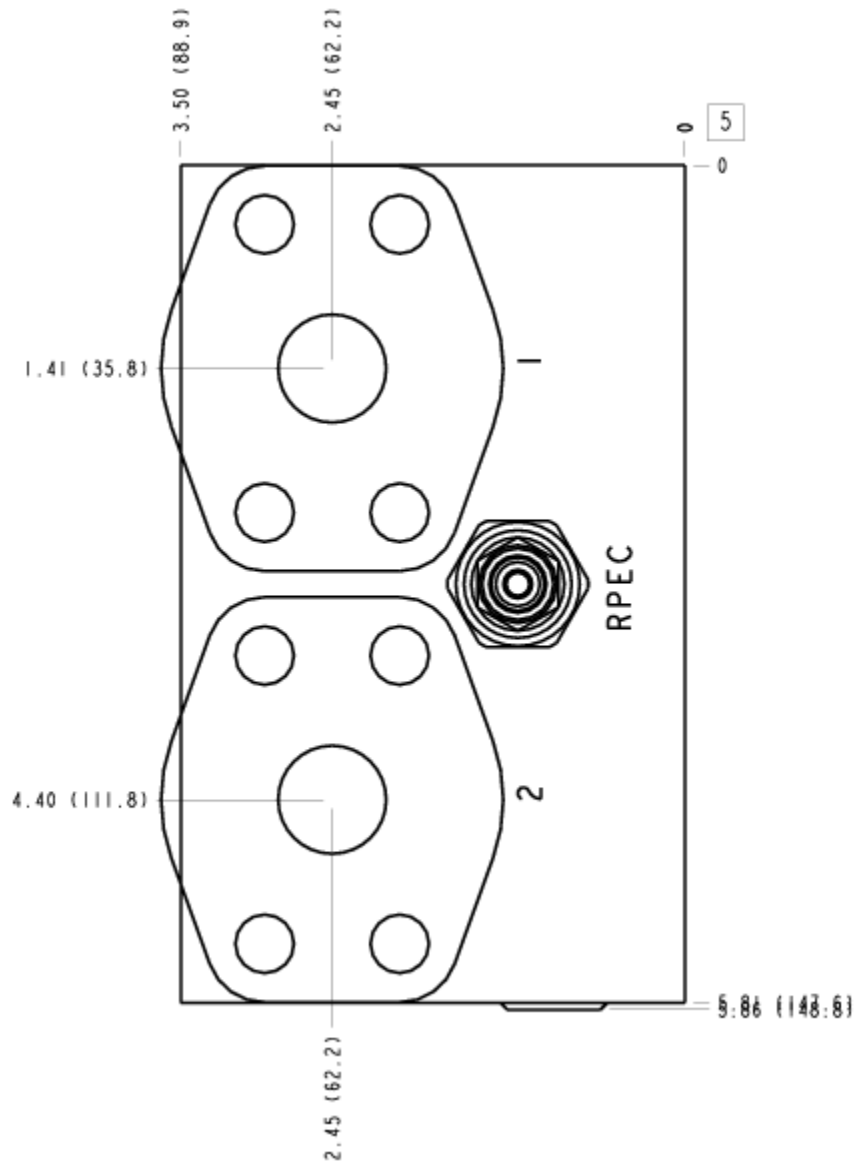
- A unique feature of the hot oil shuttle is that the setting of the hot oil relief can be confirmed or adjusted when the transmission is in neutral.
- When the transmission is in neutral the charge pressure is controlled by the charge pump relief. When the hot oil shuttle opens, some or all of the charge pump flow is redirected to the hot oil relief. The charge pump relief must be set higher than the hot oil relief to produce hot oil flow. The higher the differential pressure between the 2 reliefs, the higher the hot oil flow. The amount of hot oil flow is determined by the pressure vrs flow curves of the 2 reliefs and is difficult to quantify.

# MANIFOLD FACES

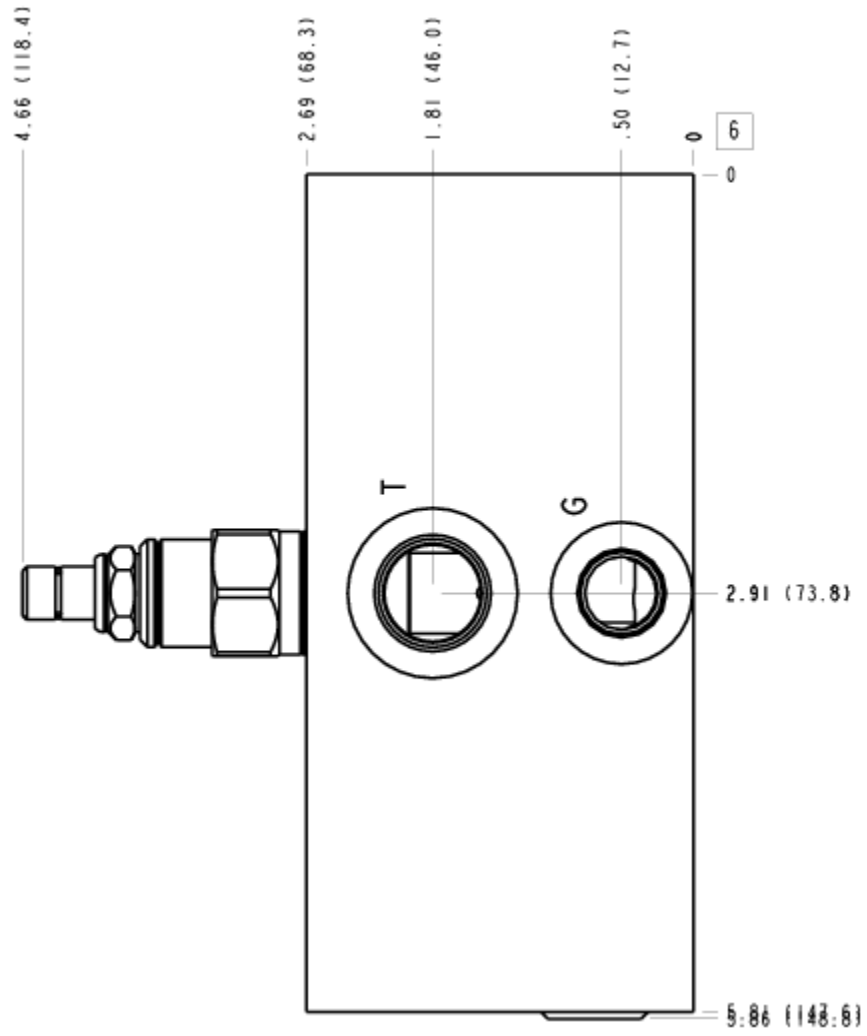
## FACE GRID

5	6	7	8
9	10	11	12

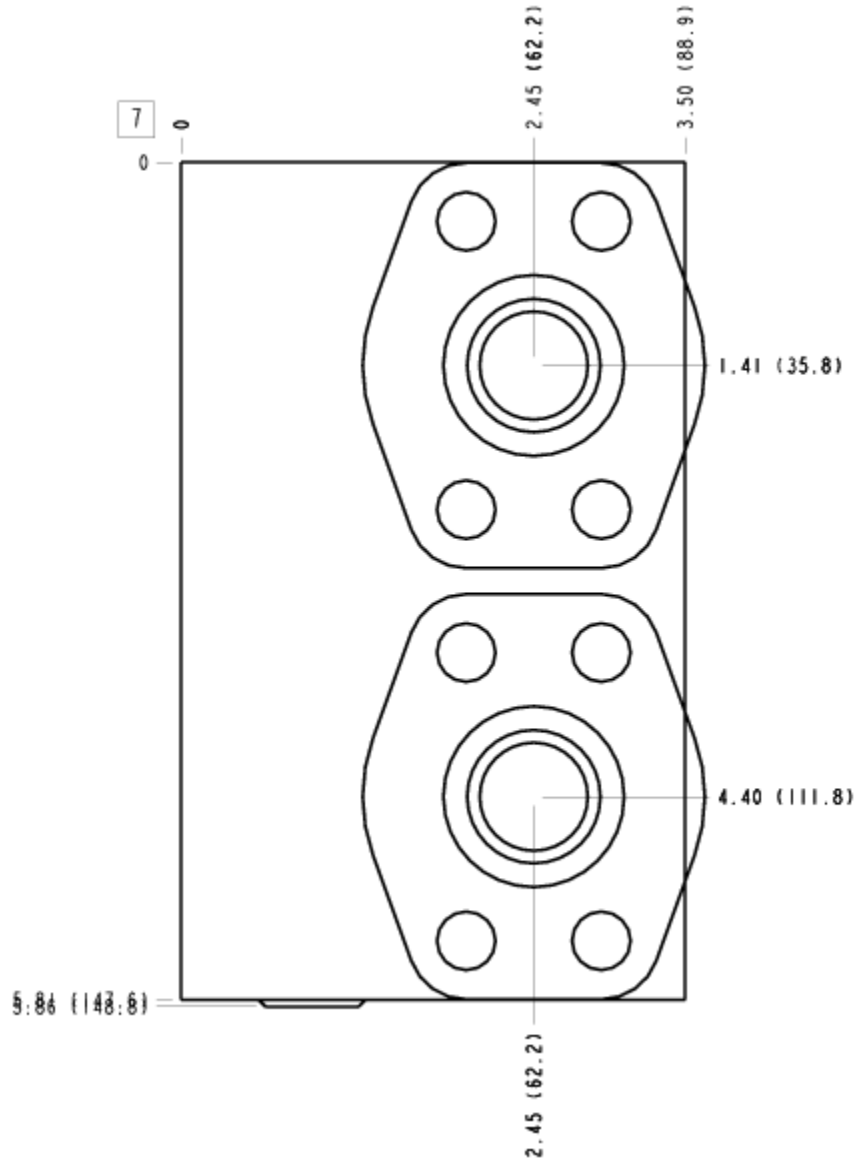
## FACE 5



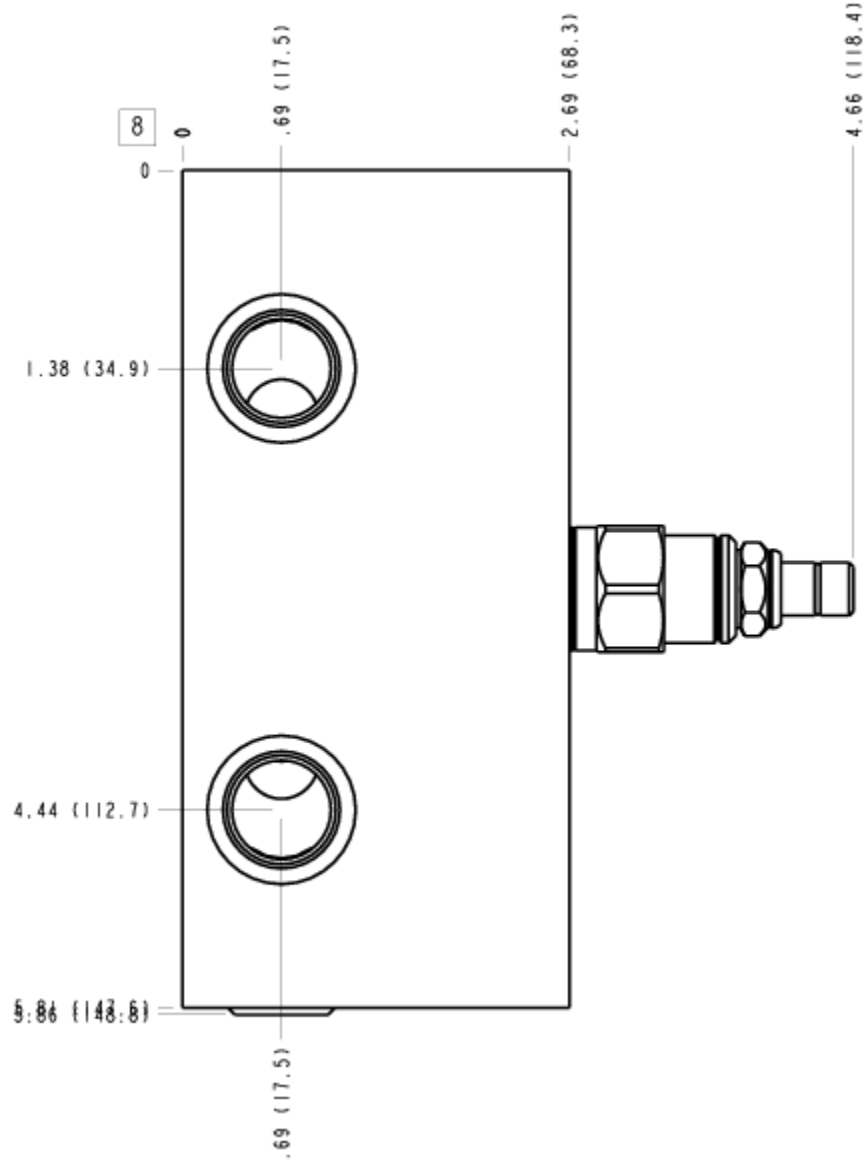
FACE 6



FACE 7



FACE 8



FACE 10

