

TECHNICAL DATA NOTE: DATA MAY VARY BY CONFIGURATION. SEE CONFIGURATION SECTION.

	0.75 SAE C62
	40 L/min.
	8

OPTION SELECTION EXAMPLE: XRDDLANA3

(L) (A) (N)

L	A	100 - 3000 psi (7 - 210 bar), 1000 psi (70 bar)	N
J			V
O	Q	60 - 400 psi (4 - 28 bar), 200 psi (14 bar)	
W			

PRIMARY CARTRIDGE (A)

A	A (with RPEC primary cartridge, ,)		
A	A (with RPEC8 primary cartridge, ,	T-8A)

INCLUDED COMPONENTS

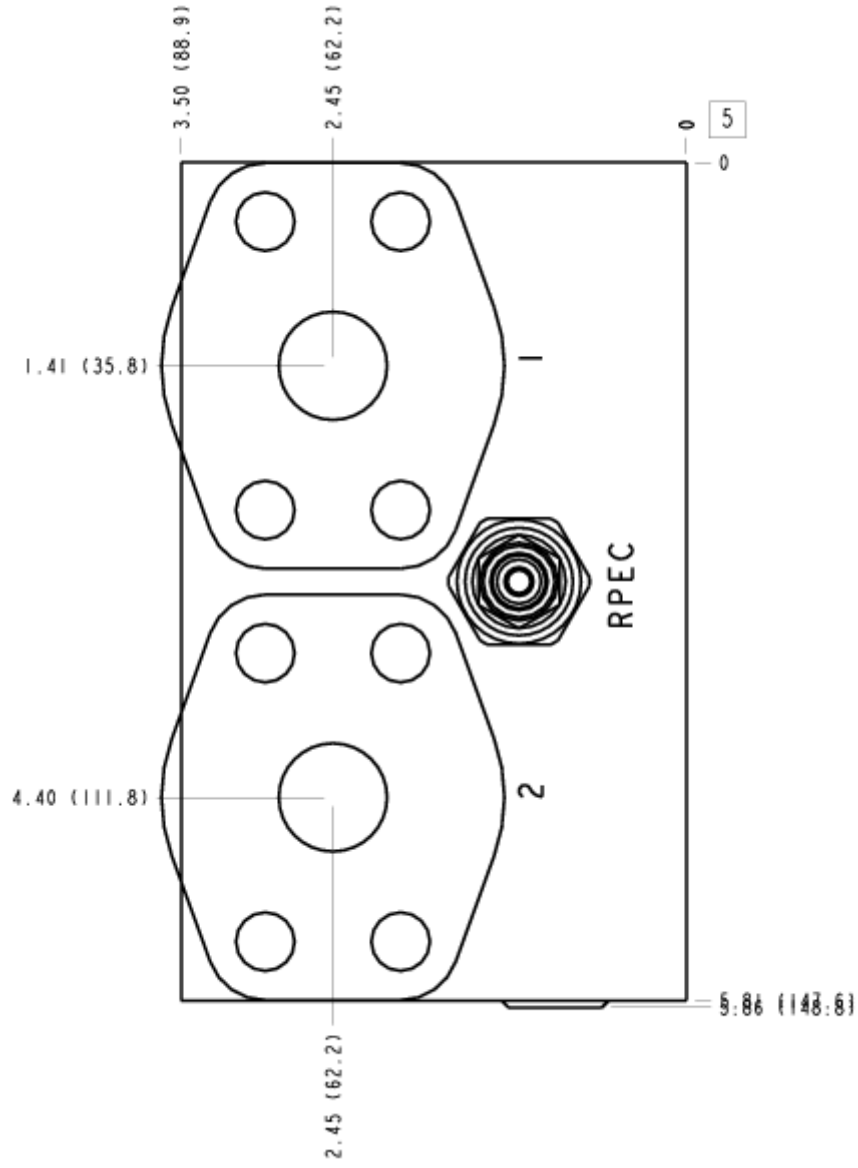
Part	Description	Quantity
500-001-214*	O-Ring	2
A330-006-008*	SAE Plug	2
DSCHXHN	Cartridge	1
RPECLAN	Cartridge - Primary	1

MANIFOLD FACES

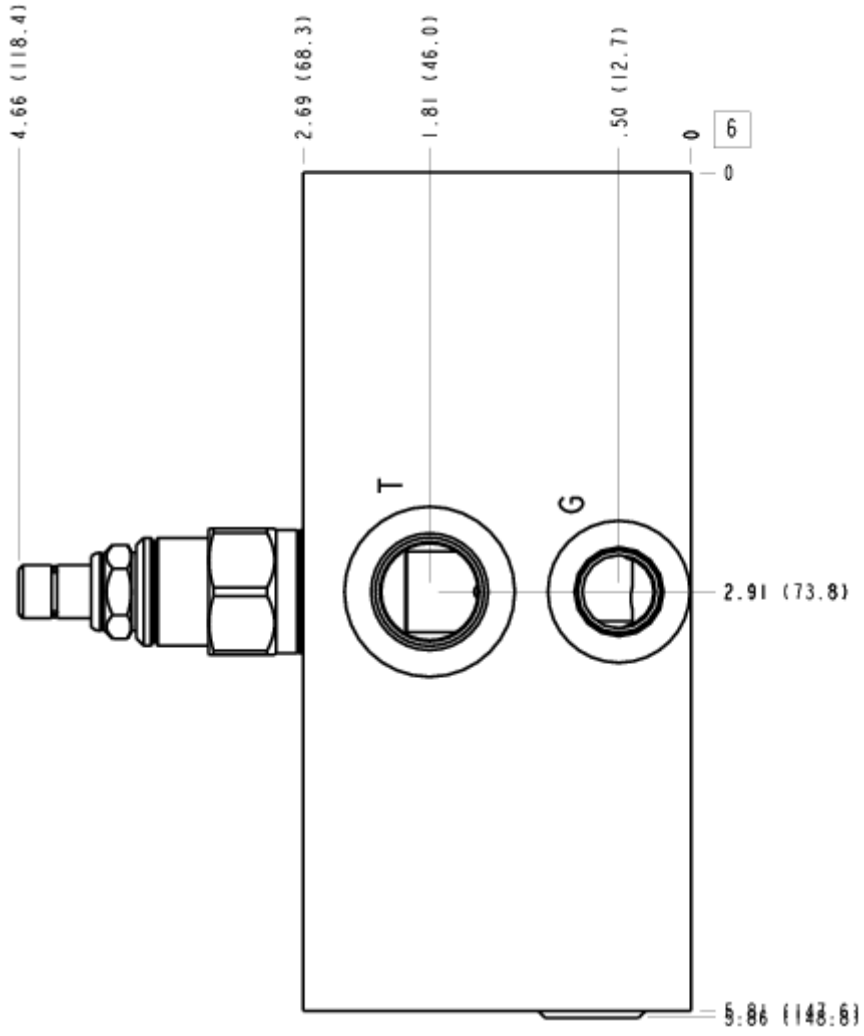
FACE GRID

5	6	7	8
9	10	11	12

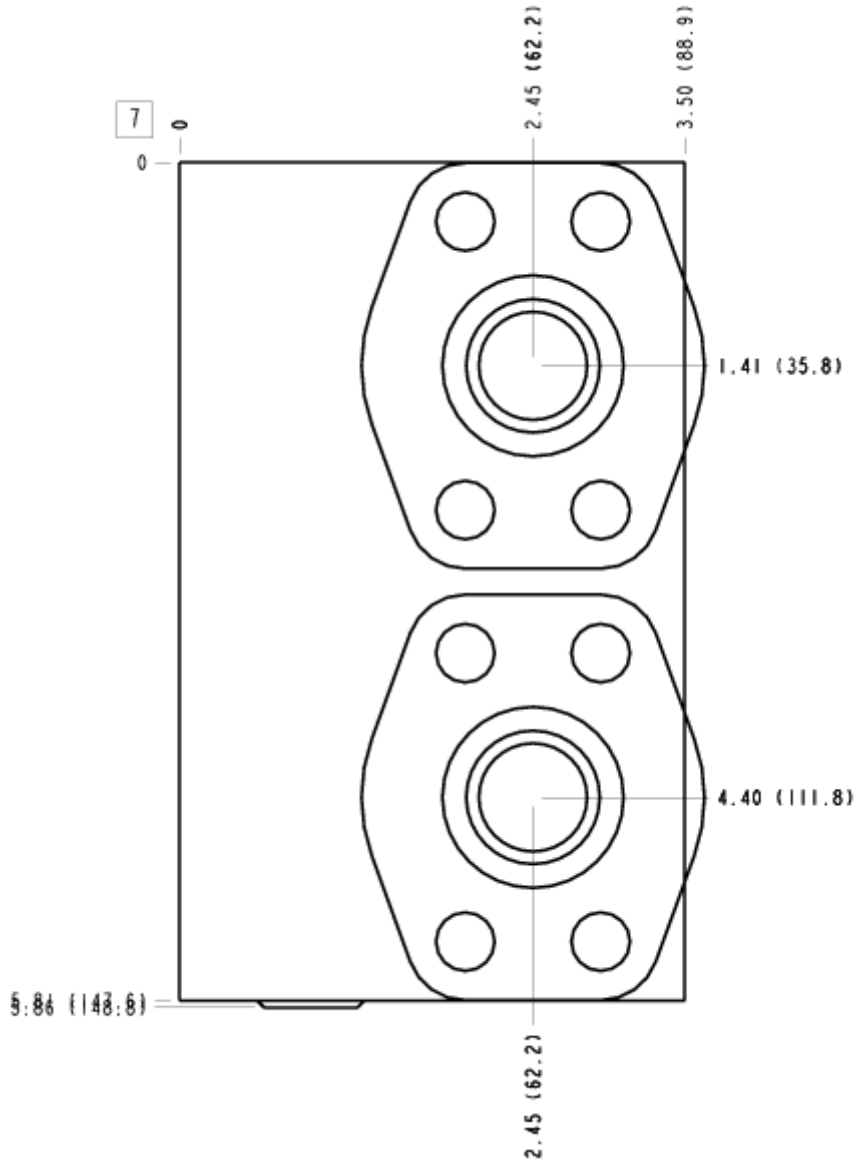
FACE 5



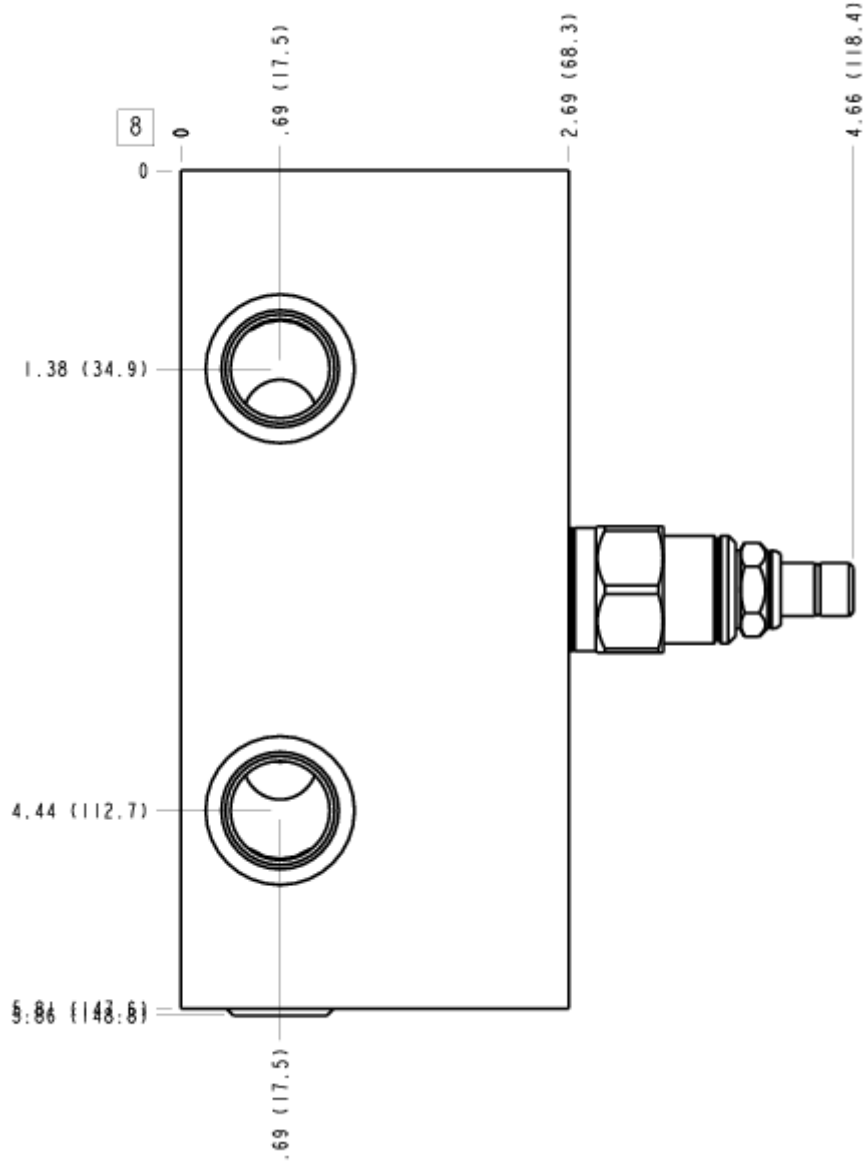
FACE 6



FACE 7



FACE 8



FACE 10

