

TECHNICAL DATA NOTE: DATA MAY VARY BY CONFIGURATION. SEE CONFIGURATION SECTION.

	1.00 SAE C62
	40 L/min.
	8

OPTION SELECTION EXAMPLE: XRDELANA3

(L) (A) (N)

L	A 100 - 3000 psi (7 - 210 bar), 1000 psi (70 bar)	N
J	Q 60 - 400 psi (4 - 28 bar), 200 psi (14 bar)	V
O		
W		

PRIMARY CARTRIDGE (A)

A	A (with RPEC primary cartridge,)
A	A (with RPEC8 primary cartridge, T-8A)

INCLUDED COMPONENTS

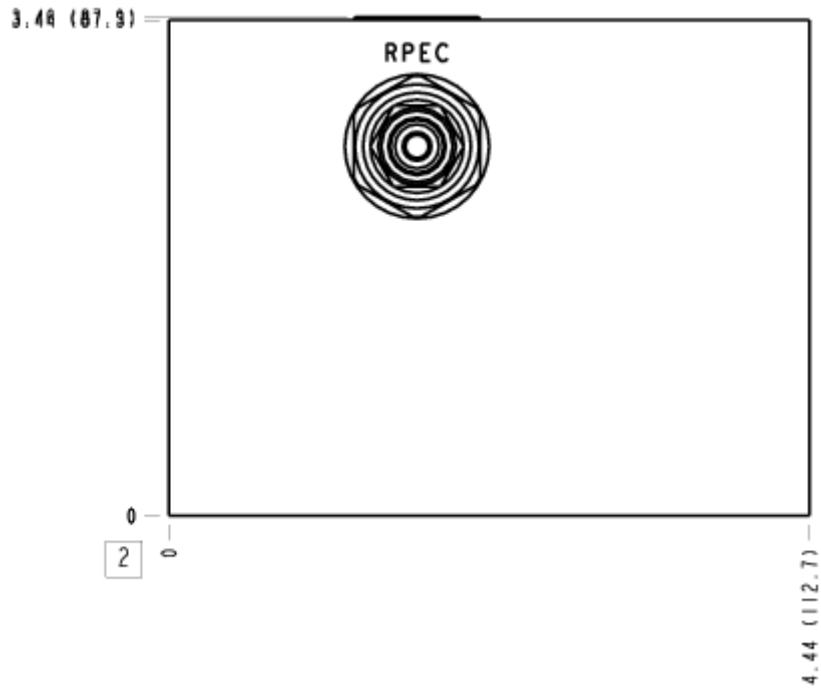
Part	Description	Quantity
A330-006-008*	SAE Plug	1
DSCHXHN	Cartridge	1
RPECLAN	Cartridge - Primary	1

MANIFOLD FACES

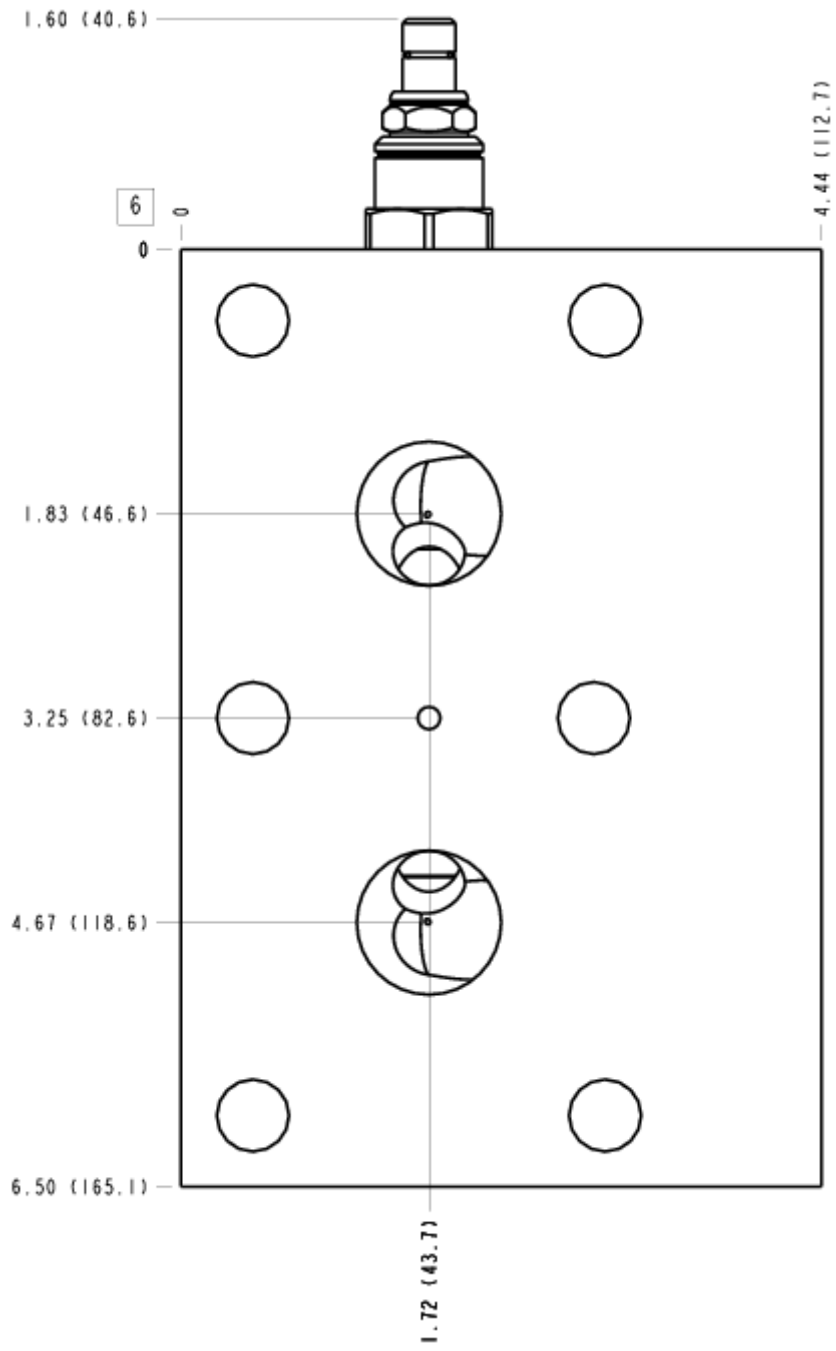
FACE GRID

1	2	3	4
5	6	7	8
9	10	11	12

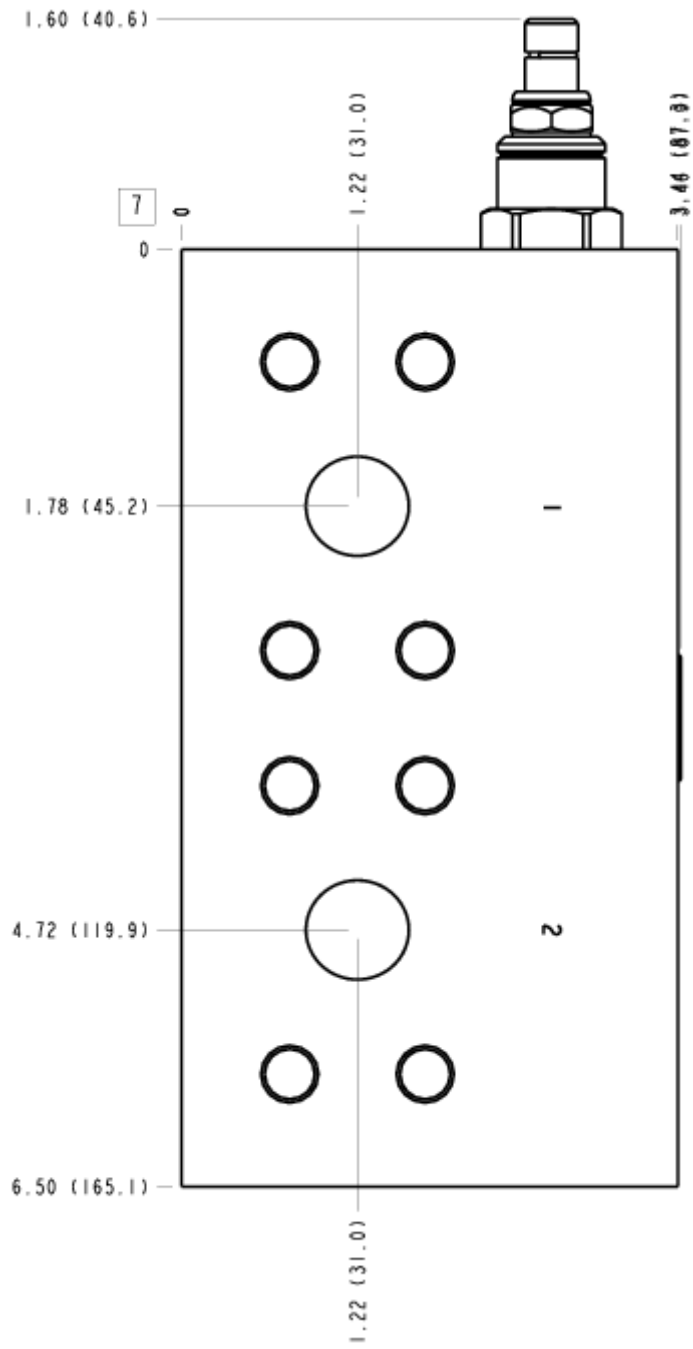
FACE 2



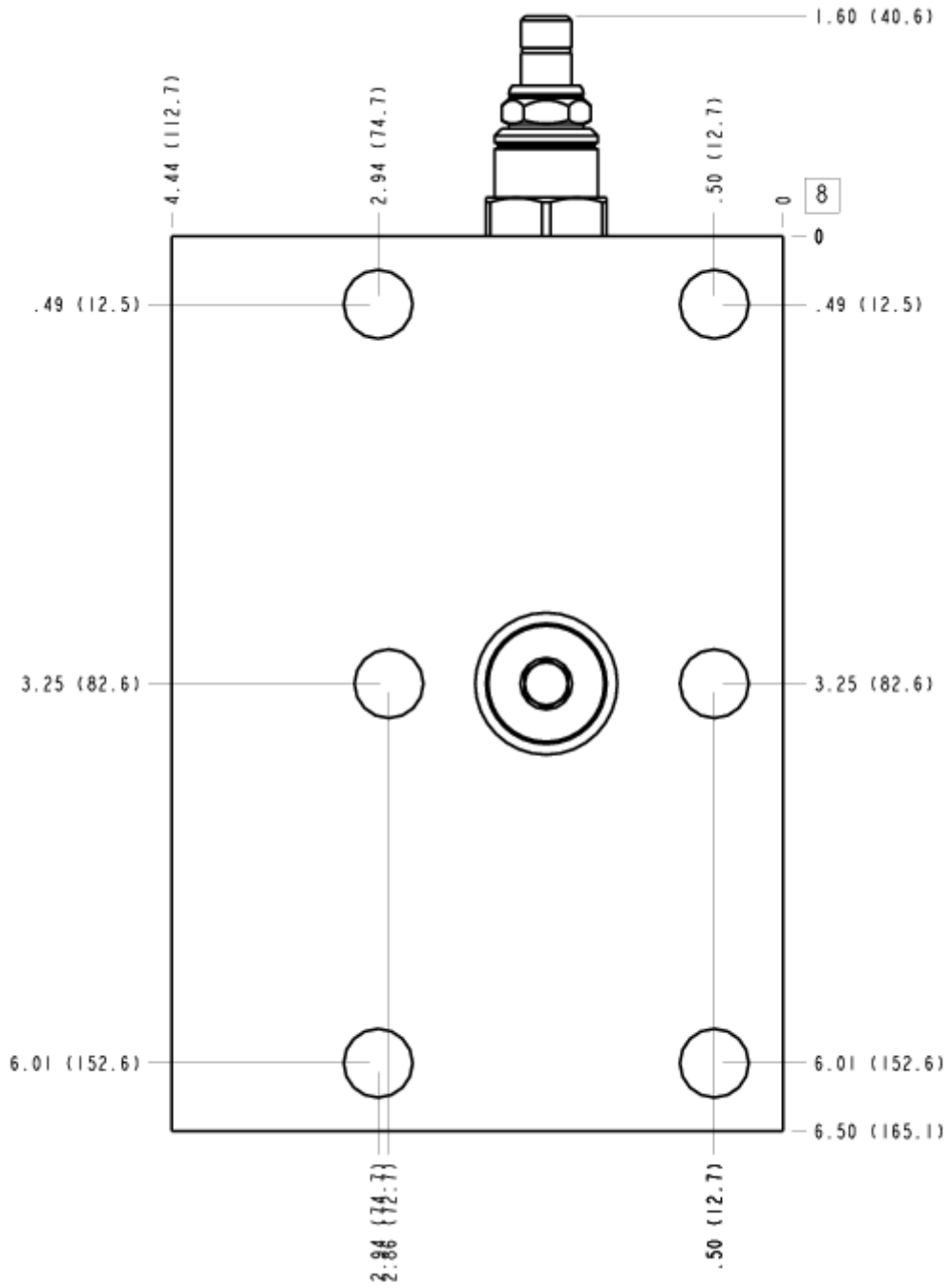
FACE 6



FACE 7



FACE 8



FACE 10

