

INCH / THIRD ANGLE

TECHNICAL DATA NOTE: DATA MAY VARY BY CONFIGURATION. SEE CONFIGURATION SECTION.

	1.00 SAE C61
	160 L/min.
	2

OPTION SELECTION EXAMPLE: XRDM LANAP

	(L)	(A)	(N)
L		A 100 - 3000 psi (7 - 210 bar), 1000 psi (70 bar)	N
C	-		V
F		B 50 - 1500 psi (3,5 - 105 bar), 1000 psi (70 bar)	
W		C 150 - 6000 psi (10,5 - 420 bar), 1000 psi (70 bar)	
Y		D 25 - 800 psi (1,7 - 55 bar), 400 psi (28 bar)	
		E 25 - 400 psi (1,7 - 28 bar), 200 psi (14 bar)	
		N 60 - 800 psi (4 - 55 bar), 400 psi (28 bar)	
		Q 60 - 400 psi (4 - 28 bar), 200 psi (14 bar)	
		W 150 - 4500 psi (10,5 - 315 bar), 1000 psi (70 bar)	

PRIMARY CARTRIDGE

(A)

A	A (with RPGC primary cartridge, Pilot-operated,)
A	A (with RPGC3 primary cartridge, pilot-operated,)
A	A (with RPGC8 primary cartridge, Pilot-operated, T-8A)

INCLUDED COMPONENTS

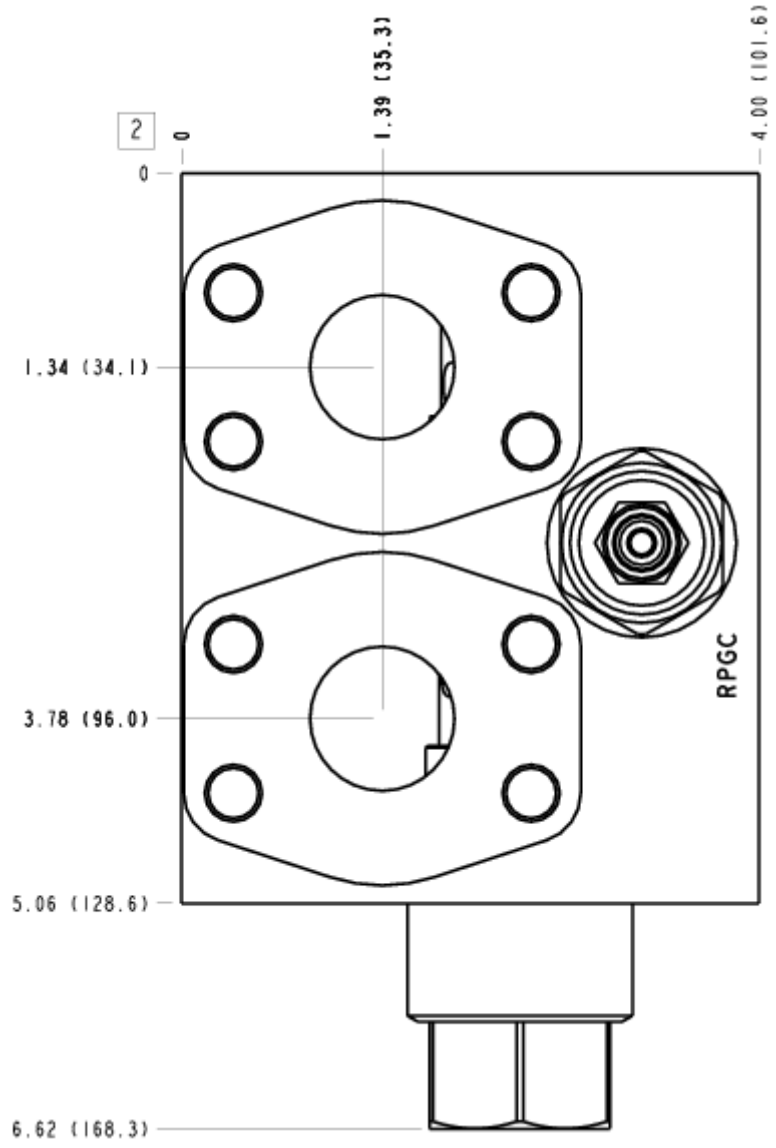
Part	Description	Quantity
DSGHXHN	Cartridge	1
RPGCLAN	Cartridge - Primary	1

MANIFOLD FACES

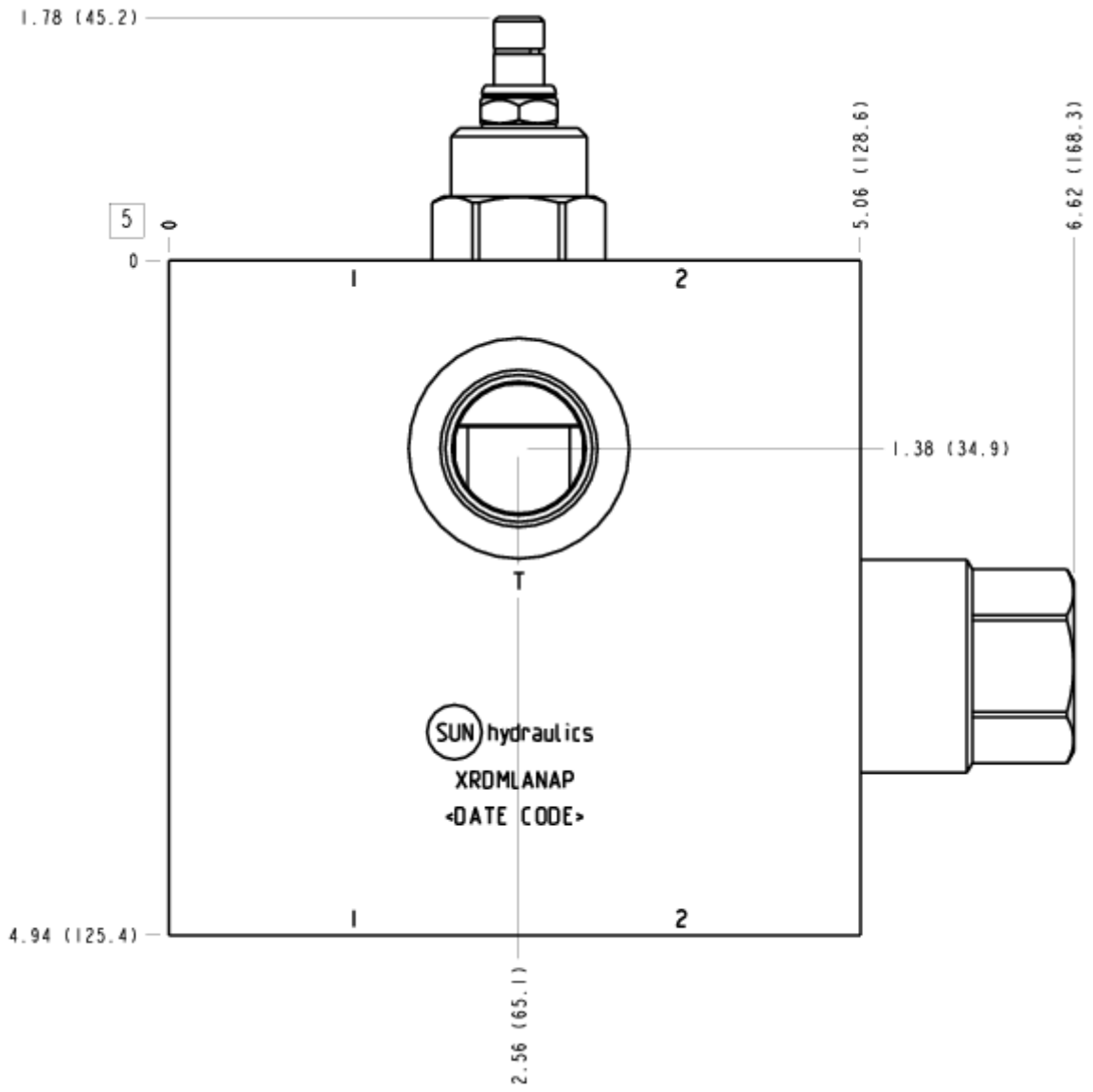
FACE GRID

1	2	3	4
5	6	7	8
9	10	11	12

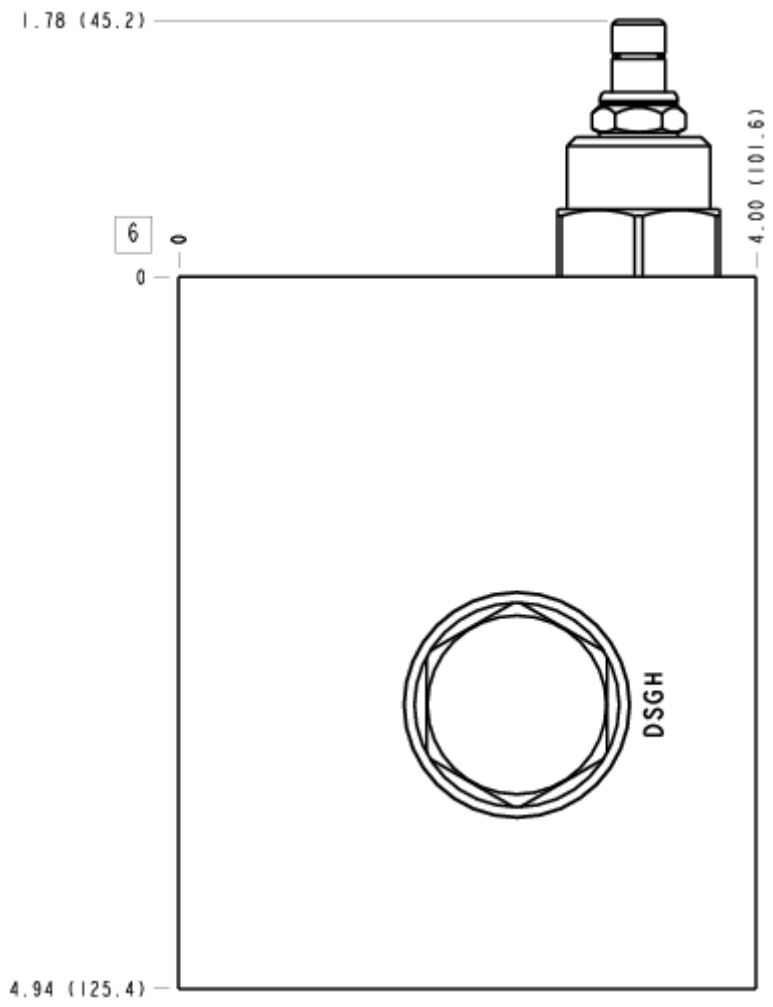
FACE 2



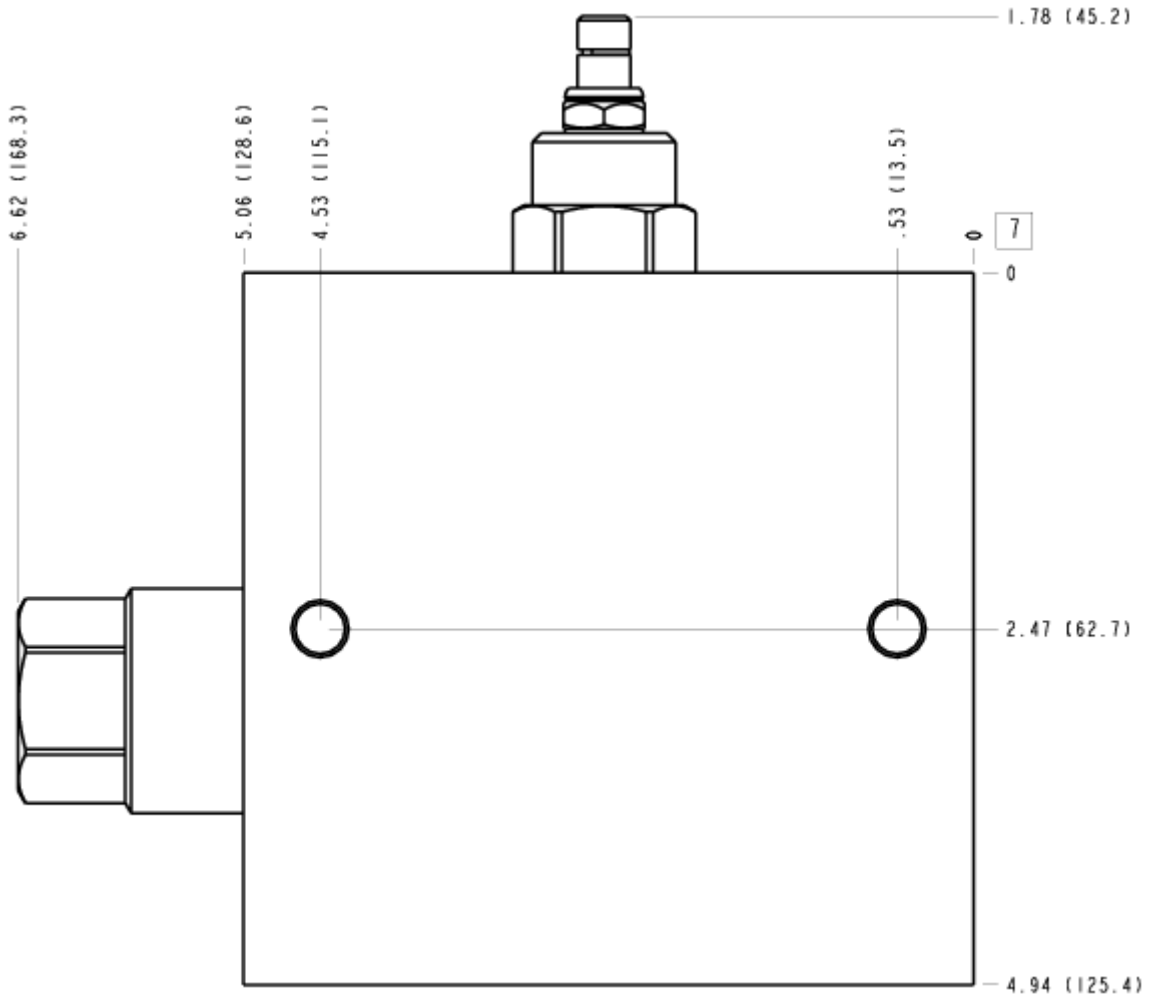
FACE 5



FACE 6



FACE 7



FACE 10

