

TECHNICAL DATA NOTE: DATA MAY VARY BY CONFIGURATION. SEE CONFIGURATION SECTION.

	1.00 SAE C61
	160 L/min.
	2

OPTION SELECTION EXAMPLE: XRDM LNNAP

(L) (N) (N)

L	N 60 - 800 psi (4 - 55 bar), 400 psi (28 bar)	N
	S 25 - 200 psi (1,7 - 14 bar), 100 psi (7 bar)	V

PRIMARY CARTRIDGE (A)

A	A (with RPGC primary cartridge, ,)
A	A (with RPGC3 primary cartridge, ,)
A	A (with RPGC8 primary cartridge, , T-8A)

INCLUDED COMPONENTS

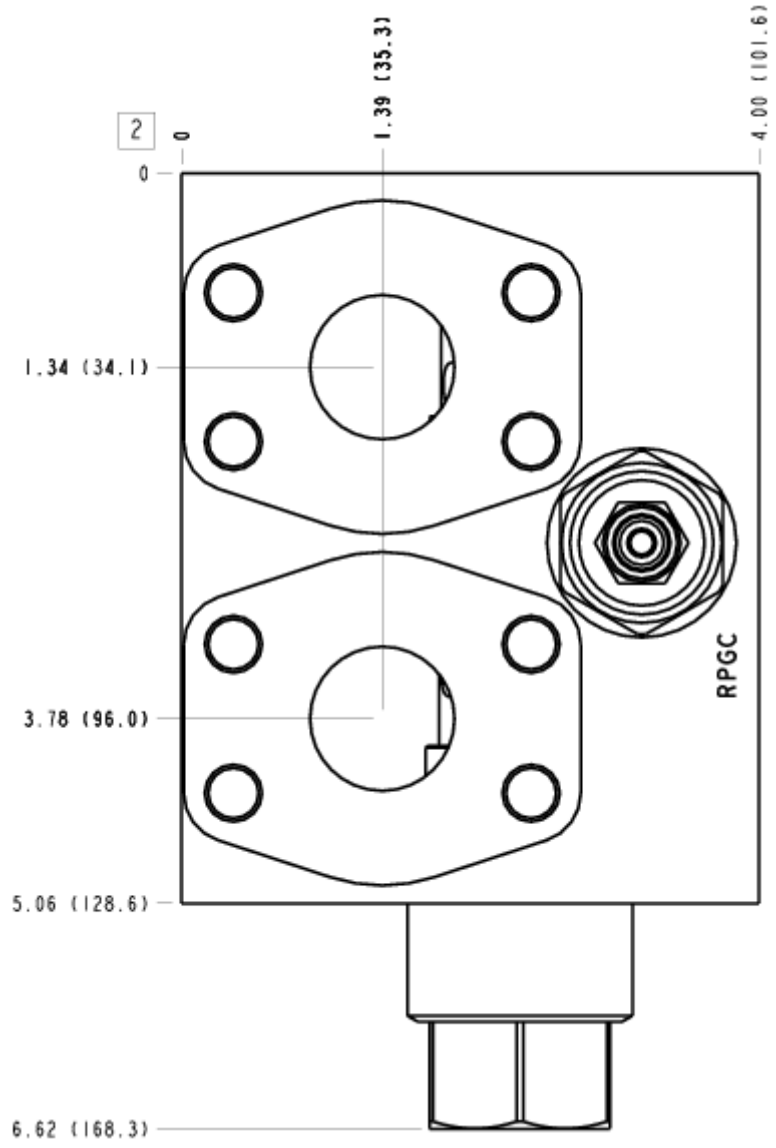
Part	Description	Quantity
DSGHXHN	Cartridge	1
RPGCLNN	Cartridge - Primary	1

MANIFOLD FACES

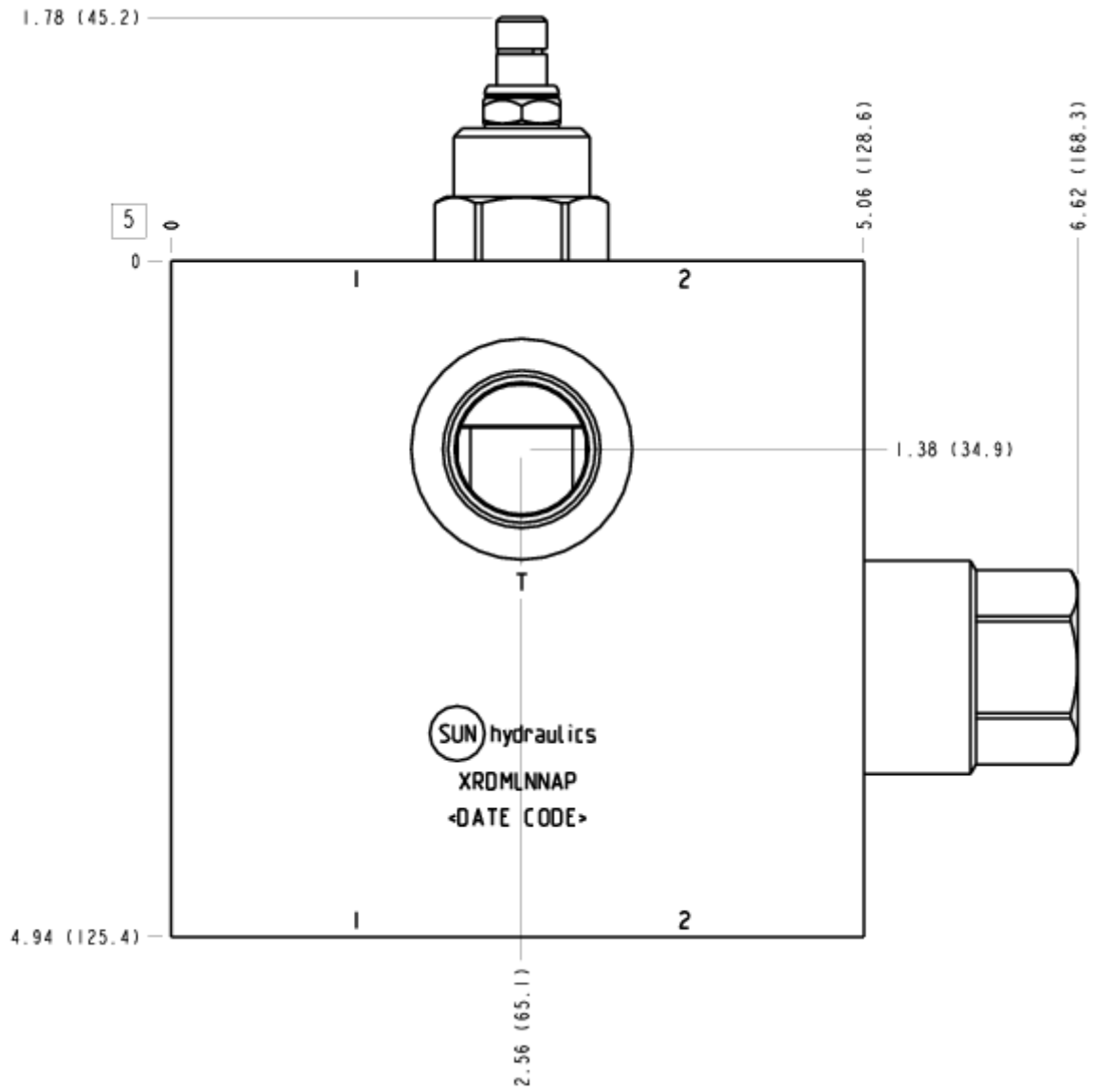
FACE GRID

1	2	3	4
5	6	7	8
9	10	11	12

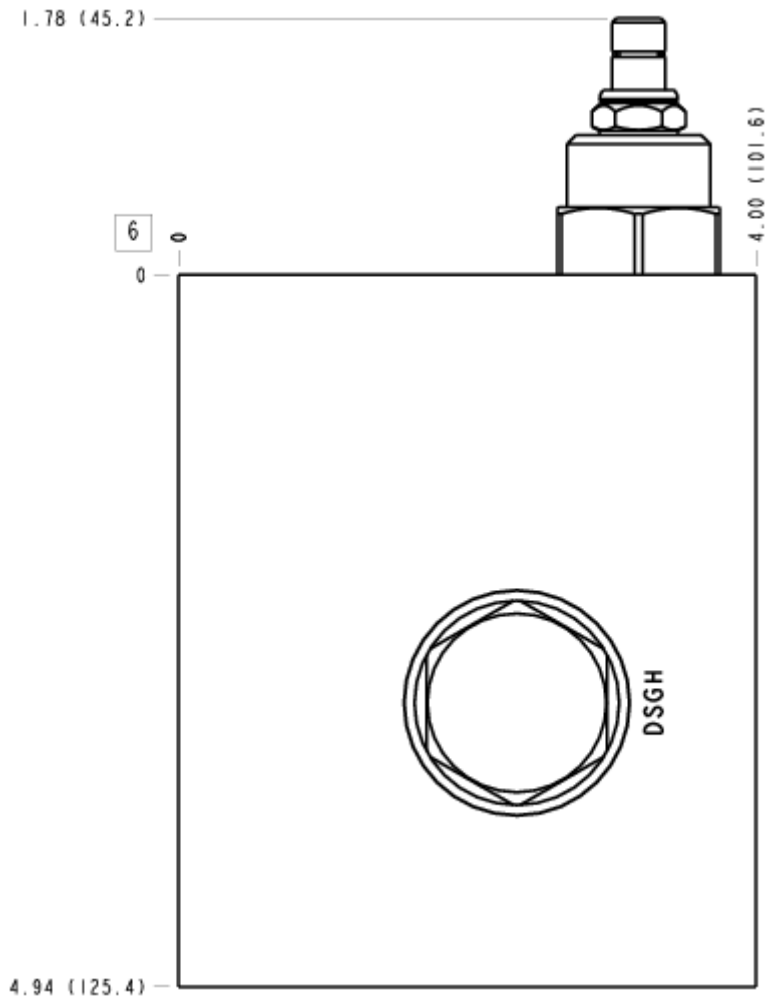
FACE 2



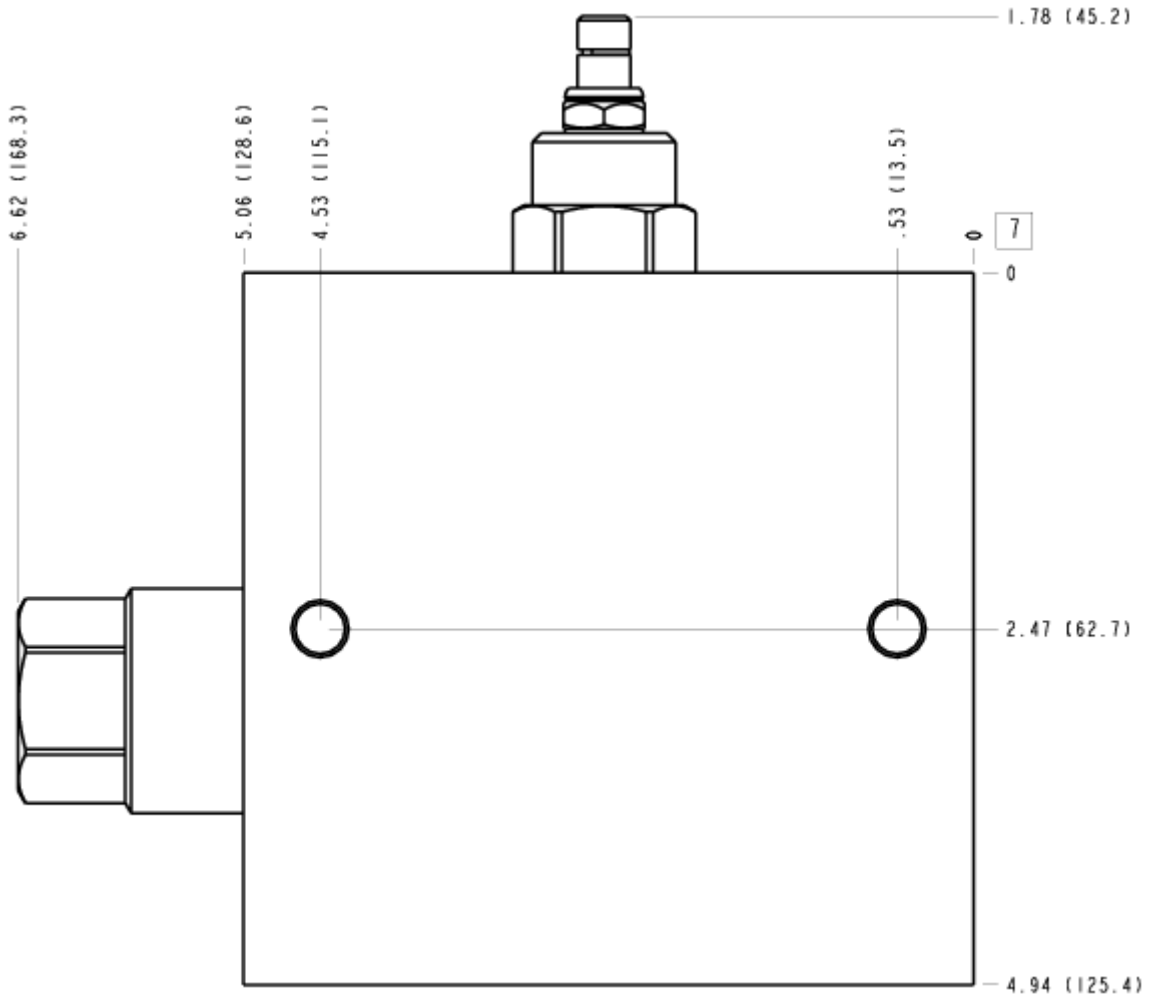
FACE 5



FACE 6



FACE 7



FACE 10

