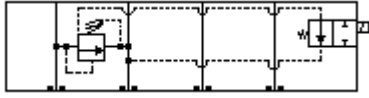


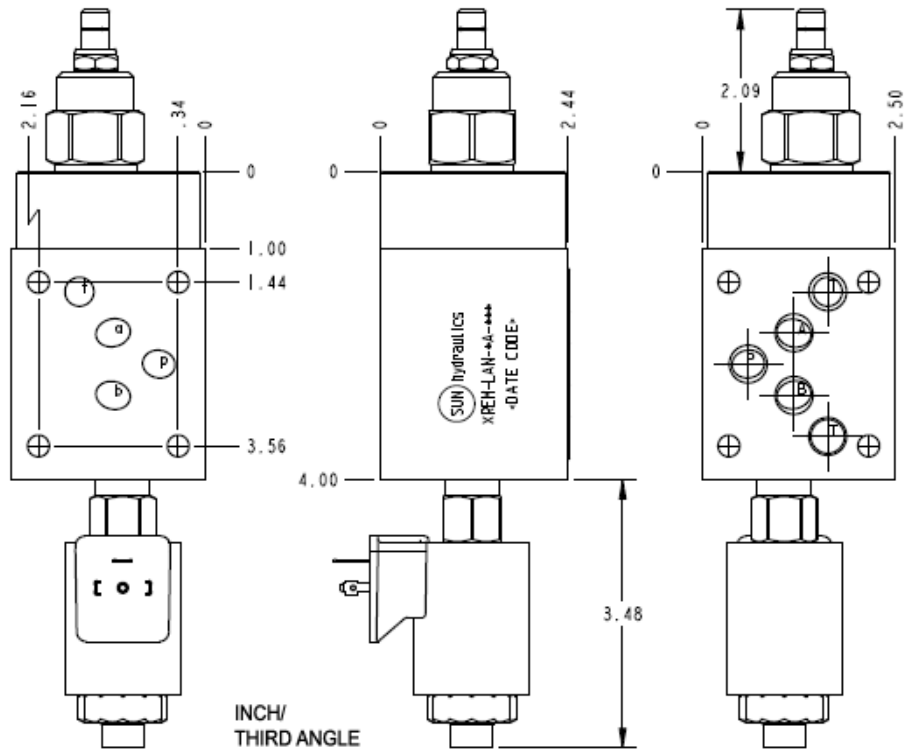
Normally Closed



Normally Open

CONFIGURATION

L	
A	100 - 3000 psi (7 - 210 bar), 1000 psi (70 bar)
N	
F	Solenoid 740 Coil-Normally Open (with Designation RVEA primary cartridge,
	Port and Material Designation
	Coil



TECHNICAL DATA

	ISO 05
Stack Height	62 mm
()	
	PT

CONFIGURATION OPTIONS

Model Code Example: XREMLANF

(L)

(A)

(N)

L	A 100 - 3000 psi (7 - 210 bar), 1000 psi (70 bar)	N V
----------	--	---------------