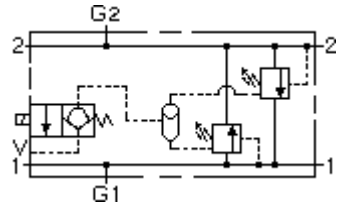


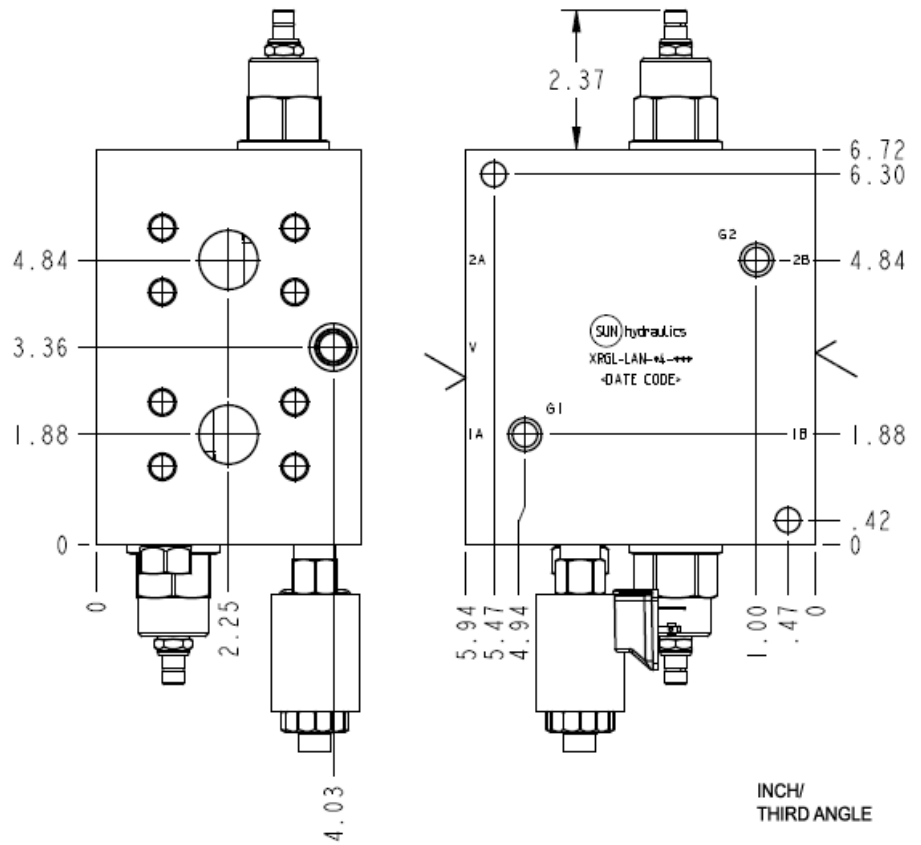
Solenoid Designation: Normally Open



Solenoid Designation: Normally Closed

CONFIGURATION

L	Control	Standard Screw Adjustment
A	Adjustment Range	100 - 3000 psi (7 - 210 bar), 1000 psi (70 bar) Standard Setting
N	Seal Material	Buna-N
F	Solenoid Designation	740 Coil-Normally Open (with RVGA primary cartridge, De venteo, pilot-operated, pistón balanceado alivio válvula)
N	Port and Material Designation	Ports 1 & 2 — SAE 20; Gage Ports — 1/4" NPTF; Port V — SAE 6; Aluminum
912	Coil	Deutsch DT04-2P 12 VDC



INCH/
THIRD ANGLE

NOTE: DATA MAY VARY FROM PART TO PART. SEE CONFIGURATION SECTION.

TECHNICAL DATA

Body Type	montaje en línea
Capacity	240 L/min.
Mounting Hole Diameter	10,7 mm
Mounting Hole Depth	Through
Mounting Hole Quantity	2

OPTION SELECTION EXAMPLE: XRGLLANFN912

CONTROL	(L) ADJUSTMENT RANGE	(A) SEAL MATERIAL	(N)
L Standard Screw Adjustment	A 100 - 3000 psi (7 - 210 bar), 1000 psi (70 bar) Standard Setting	N Buna-N	
	J 25 - 1500 psi (1,7 - 105 bar), 1000 psi (70 bar) Standard Setting	V Viton	

INCLUDED COMPONENTS

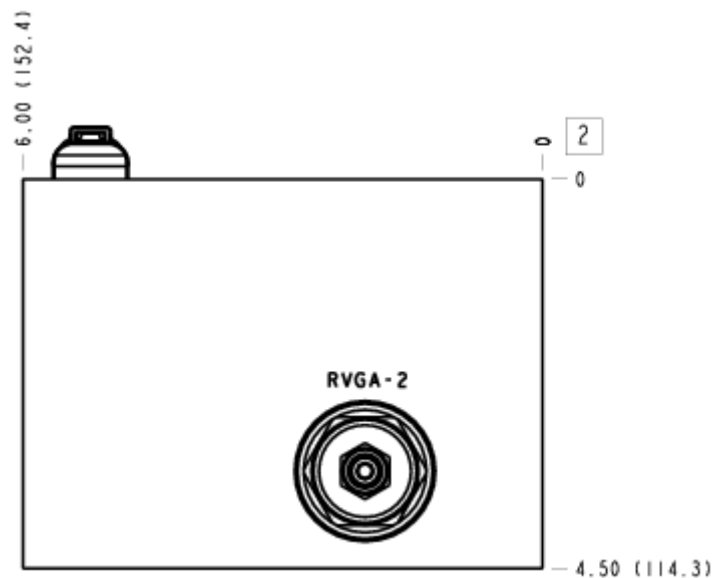
Part	Description	Quantity
CSABXXN	Cartridge	1
DTAFMHN912	Cartridge	1
RVGALAN	Cartridge - Primary	2

MANIFOLD FACES

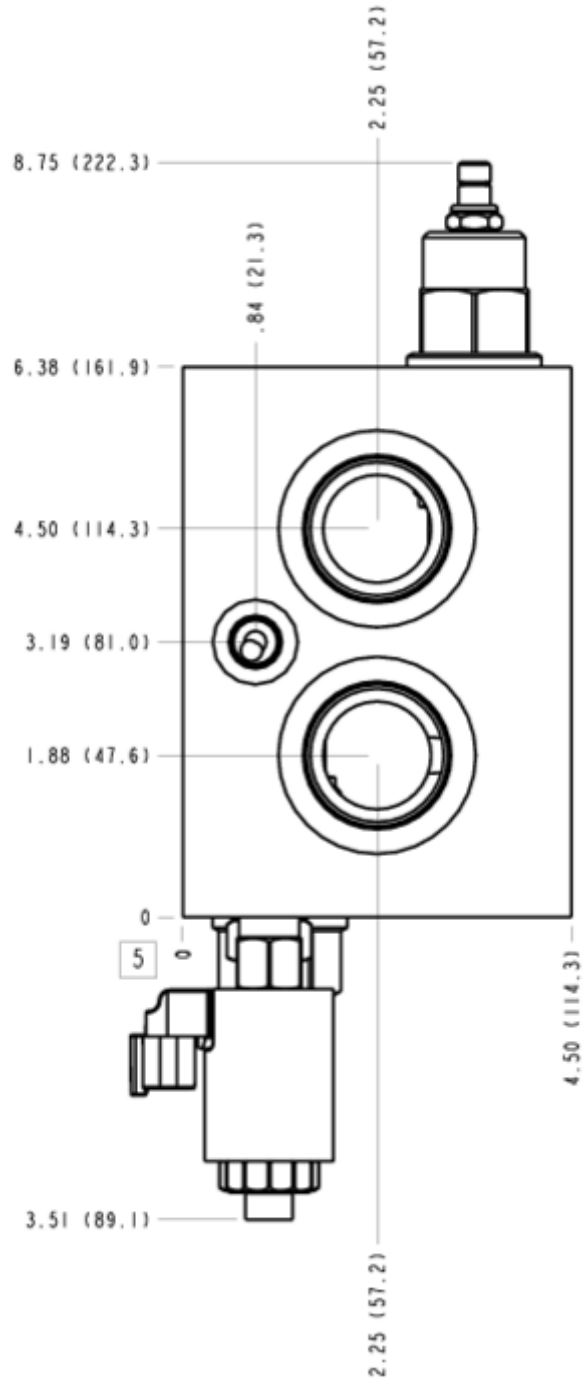
FACE GRID

1	2	3	4
5	6	7	8
9	10	11	12

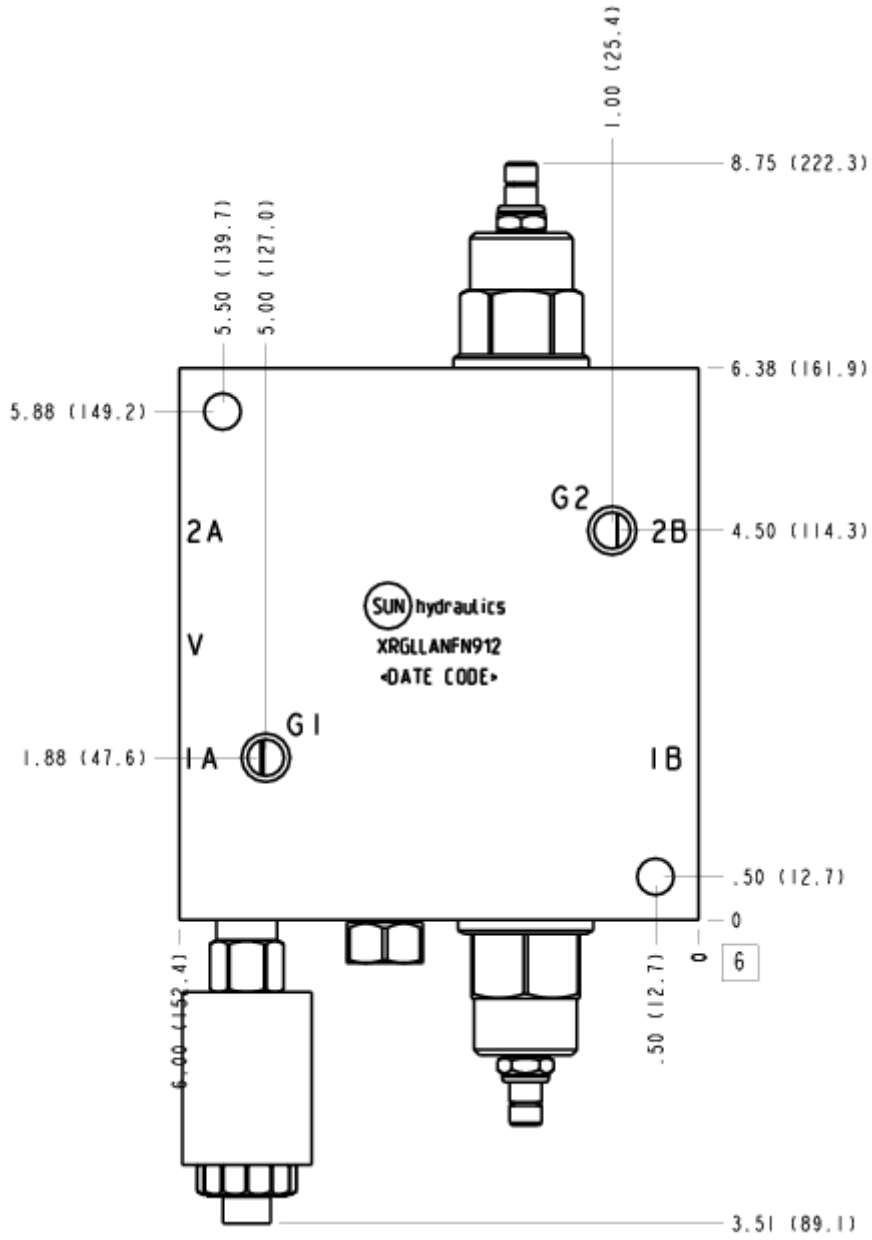
FACE 2



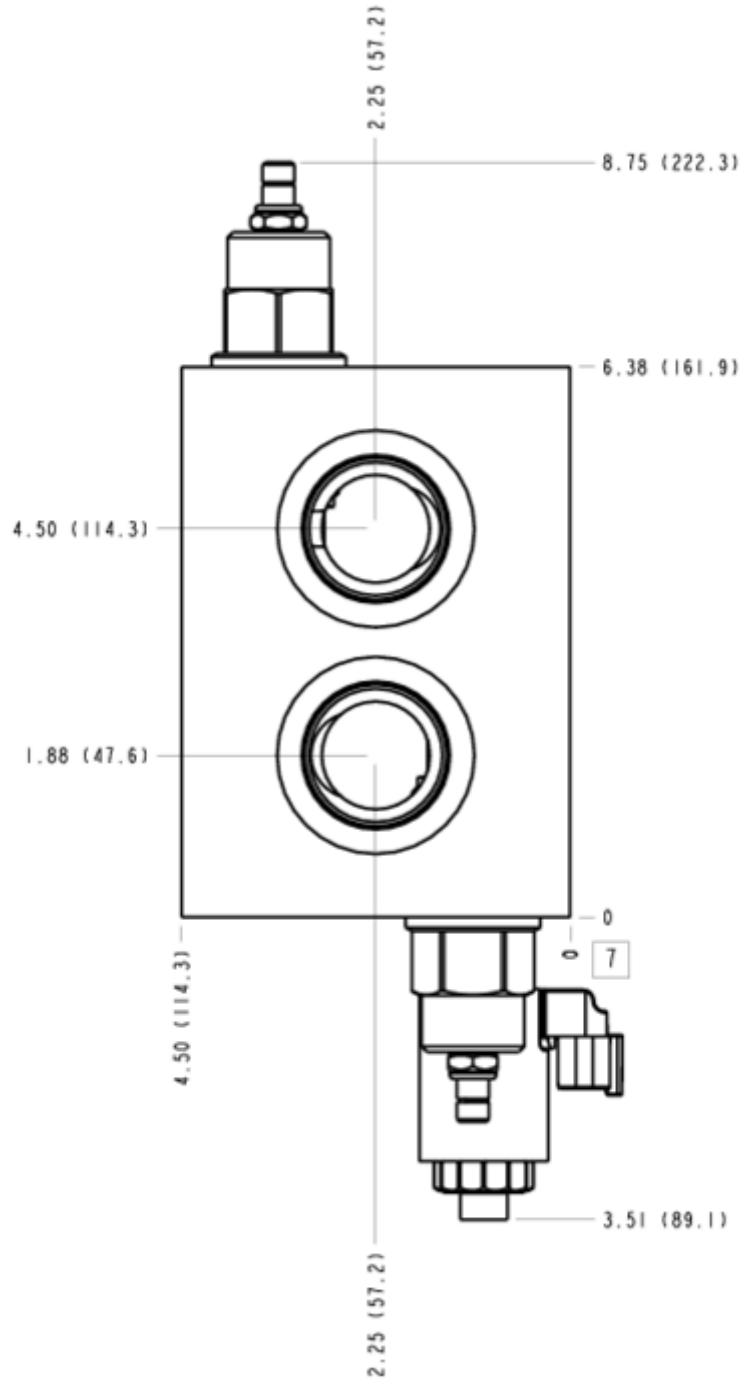
FACE 5



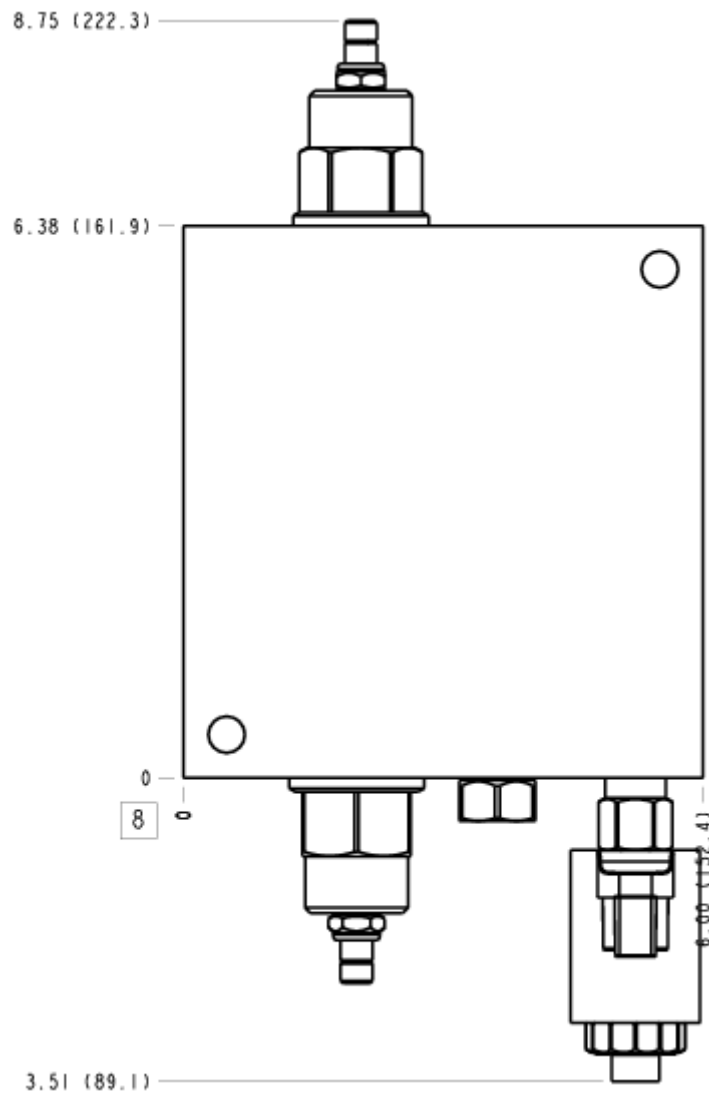
FACE 6



FACE 7



FACE 8



FACE 10

