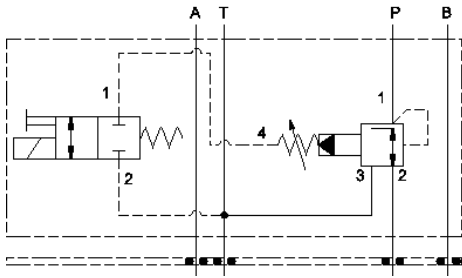
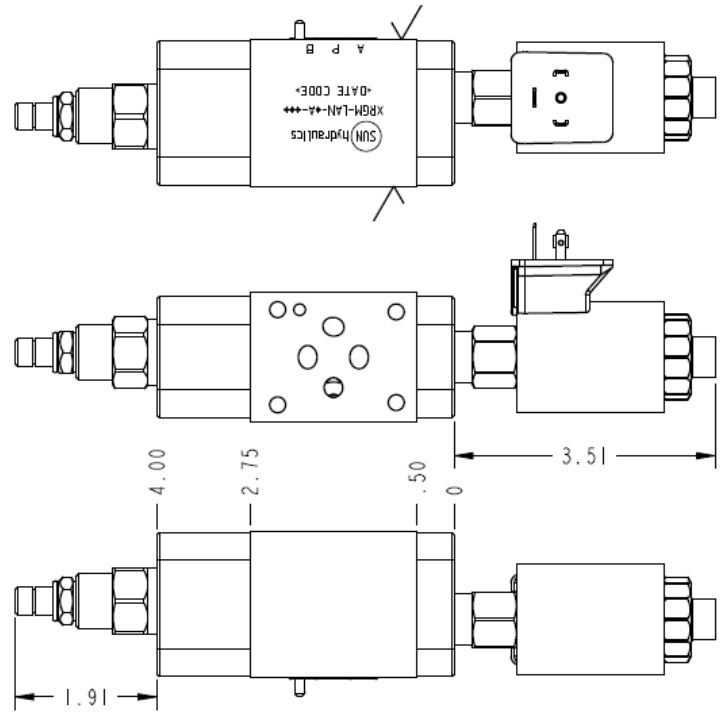


Normally Open



Normally Closed



INCH/
THIRD ANGLE

CONFIGURATION OPTIONS

Model Code Example: XRGM LANFA912

CONTROL	(L)	ADJUSTMENT RANGE	(A)	SEAL MATERIAL	(N)
L	Standard Screw Adjustment	A	100 - 3000 psi (7 - 210 bar), 200 psi (14 bar) Standard Setting	N	Buna-N
C	Tamper Resistant - Factory Set	B	50 - 1500 psi (3,5 - 105 bar), 200 psi (14 bar) Standard Setting	V	Viton
W	Hex Wrench Adjustment	D	25 - 800 psi (1,7 - 55 bar), 200 psi (14 bar) Standard Setting		
Y	manilla de tres agarres	E	25 - 400 psi (1,7 - 28 bar), 200 psi (14 bar) Standard Setting		
		N	60 - 800 psi (4 - 55 bar), 200 psi (14 bar) Standard Setting		
		Q	60 - 400 psi (4 - 28 bar), 200 psi (14 bar) Standard Setting		
		W	150 - 4500 psi (10,5 - 315 bar), 200 psi (14 bar) Standard Setting		

INCLUDED COMPONENTS

Part	Description	Quantity
500-001-012*	O-Ring	4
811-001-006*	Pin	1
850-004-218*	Plug	1
DTAFMHN912	Cartridge	1
PVDALAN	Cartridge - Primary	1