

TECHNICAL DATA

Body Type	Line mount
Capacity	160 L/min.
Mounting Hole Quantity	4

OPTION SELECTION EXAMPLE: XRGNLANA5

CONTROL	(L) ADJUSTMENT RANGE	(A) SEAL MATERIAL	(N)
L Standard Screw Adjustment	A 500 - 3000 psi (35 - 210 bar), 1000 psi (70 bar) Standard Setting	N Buna-N	
C Tamper Resistant - Factory Set	W 800 - 4500 psi (55 - 315 bar), 1000 psi (70 bar) Standard Setting	V Viton	

PRIMARY CARTRIDGE	(A)
A A (with RDHA primary cartridge, Acción-directa alivio válvula)	

INCLUDED COMPONENTS

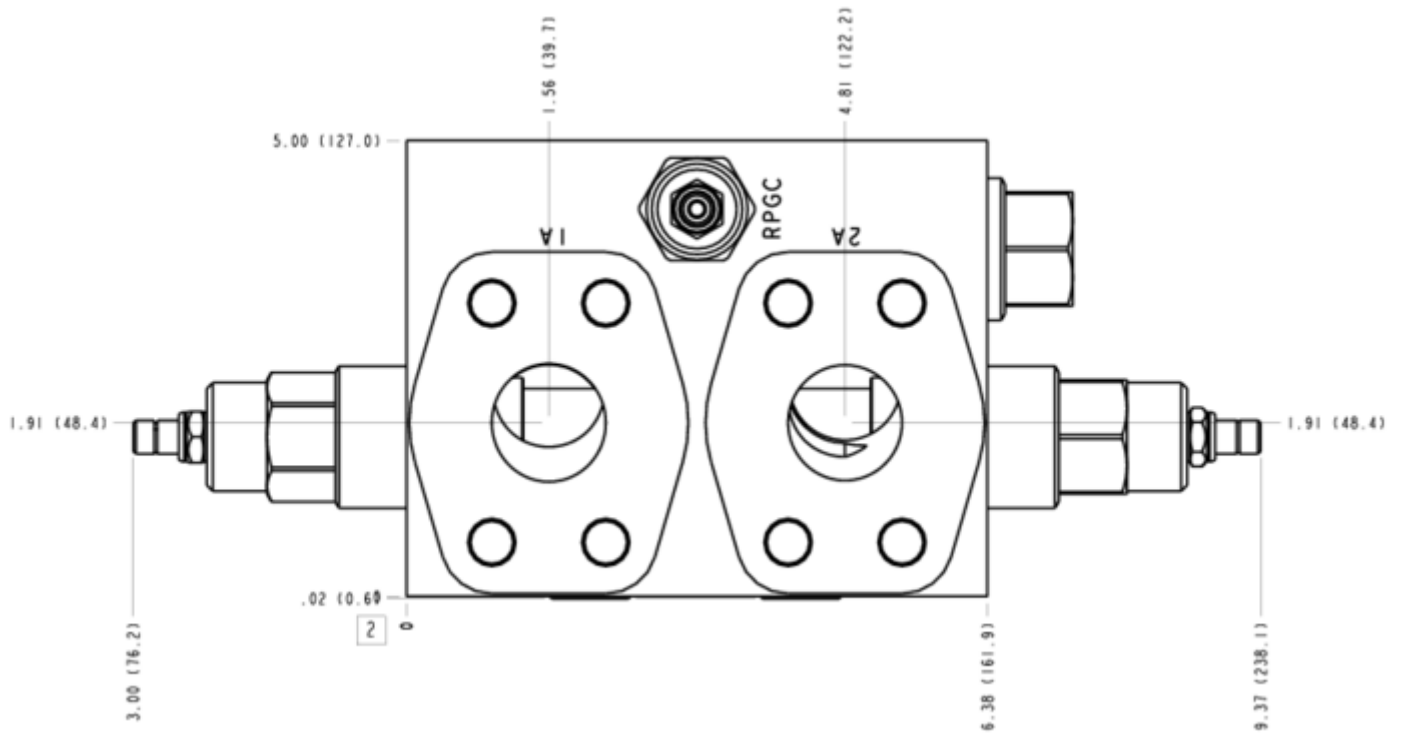
Part	Description	Quantity
A330-006-008*	SAE Plug	2
DSGHXHN	Cartridge	1
RDHALAN	Cartridge - Primary	2
RPGCLNN	Cartridge	1

MANIFOLD FACES

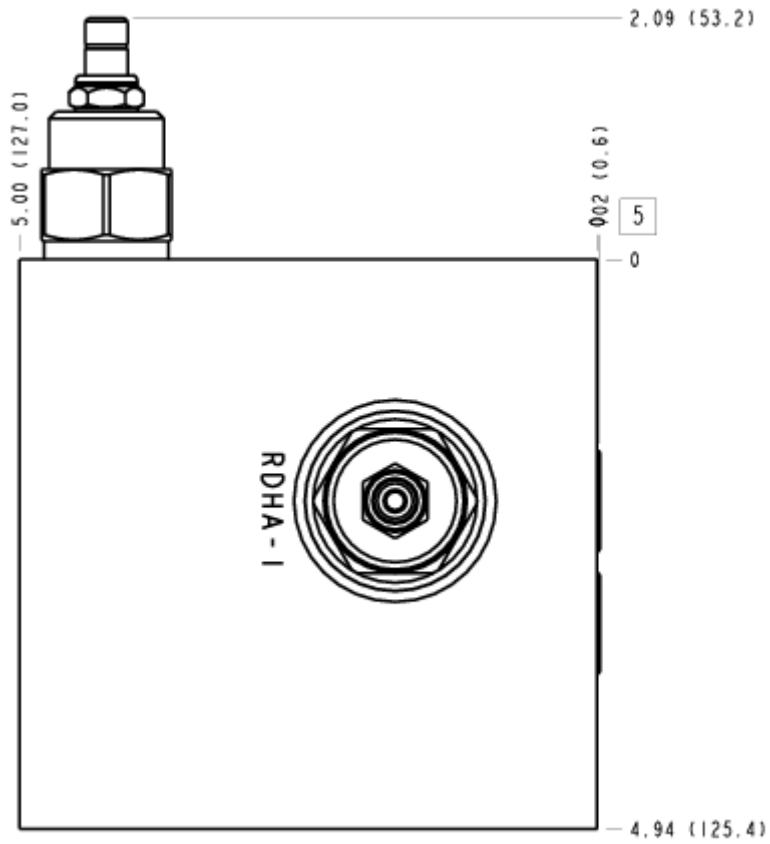
FACE GRID

1	2	3	4
5	6	7	8
9	10	11	12

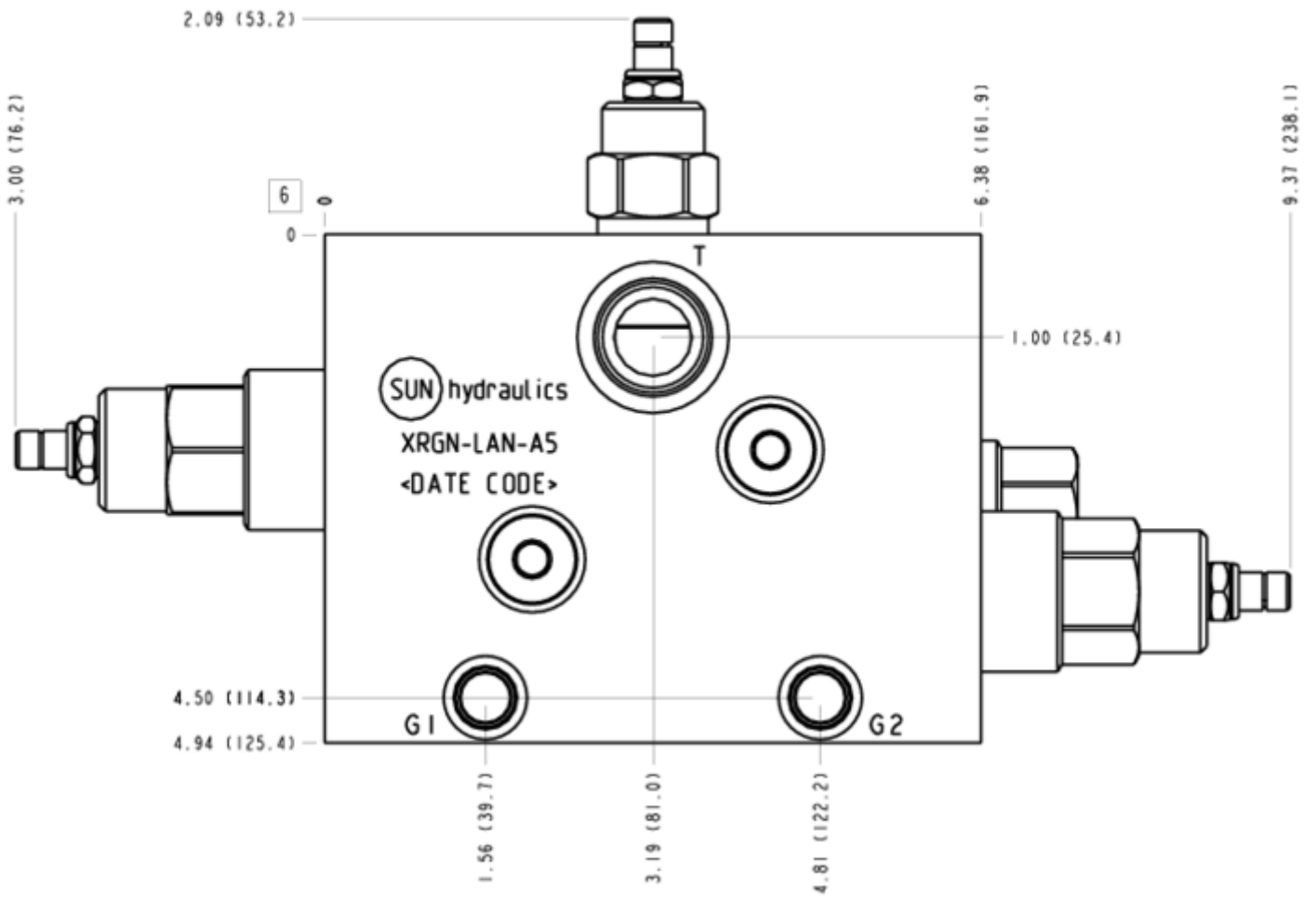
FACE 2



FACE 5



FACE 6



FACE 7

