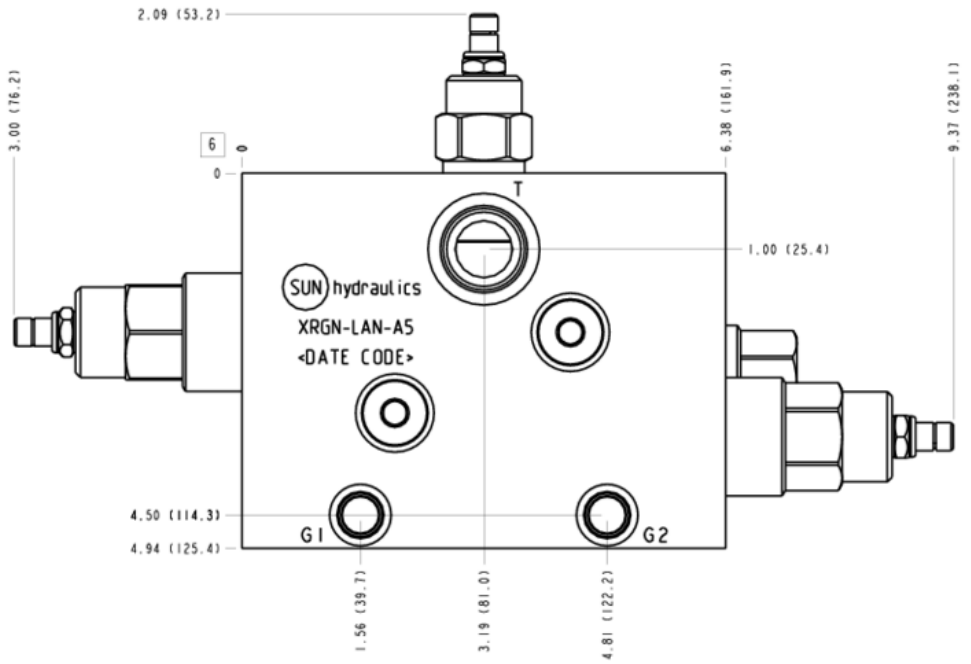


CONFIGURATION

L	
A	500 - 3000 psi (35 - 210 bar), 1000 psi (70 bar)
N	
A	Primary Cartridge A (with RDHA primary cartridge,
5	Port and Material Designation Ports 1 & 2 — 1-1/4" C62; Port T — SAE 12; Gage Ports — SAE 6; Mtg Holes — .375 - 16UNC x .75 DP; Aluminum



TECHNICAL DATA NOTE: DATA MAY VARY BY CONFIGURATION. SEE CONFIGURATION SECTION.

	160 L/min.
	4

OPTION SELECTION EXAMPLE: XRGNLANA5

(L) (A) (N)

L	A	500 - 3000 psi (35 - 210 bar), 1000 psi (70 bar)	N
	B	300 - 1500 psi (20 - 105 bar), 1000 psi (70 bar)	V
	C	1000 - 6000 psi (70 - 420 bar), 1000 psi (70 bar)	
	D	200 - 800 psi (14 - 55 bar), 400 psi (28 bar)	
	E	100 - 400 psi (7 - 28 bar), 200 psi (14 bar)	
	S	50 - 200 psi (3,5 - 14 bar), 100 psi (7 bar)	
	W	800 - 4500 psi (55 - 315 bar), 1000 psi (70 bar)	

PRIMARY CARTRIDGE

(A)

A	A (with RDHA primary cartridge,)
----------	-----------------------------------

INCLUDED COMPONENTS

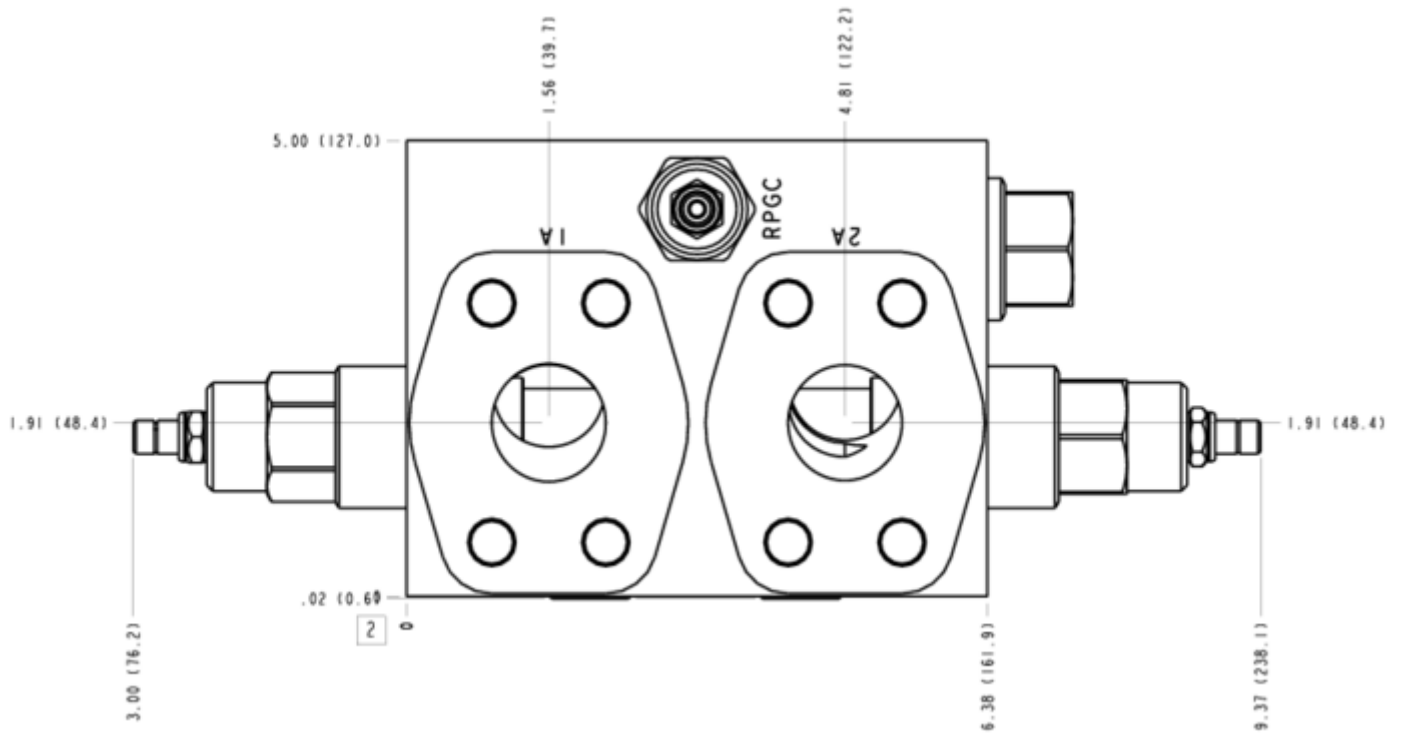
Part	Description	Quantity
A330-006-008*	SAE Plug	2
DSGHXHN	Cartridge	1
RDHALAN	Cartridge - Primary	2
RPGCLNN	Cartridge	1

MANIFOLD FACES

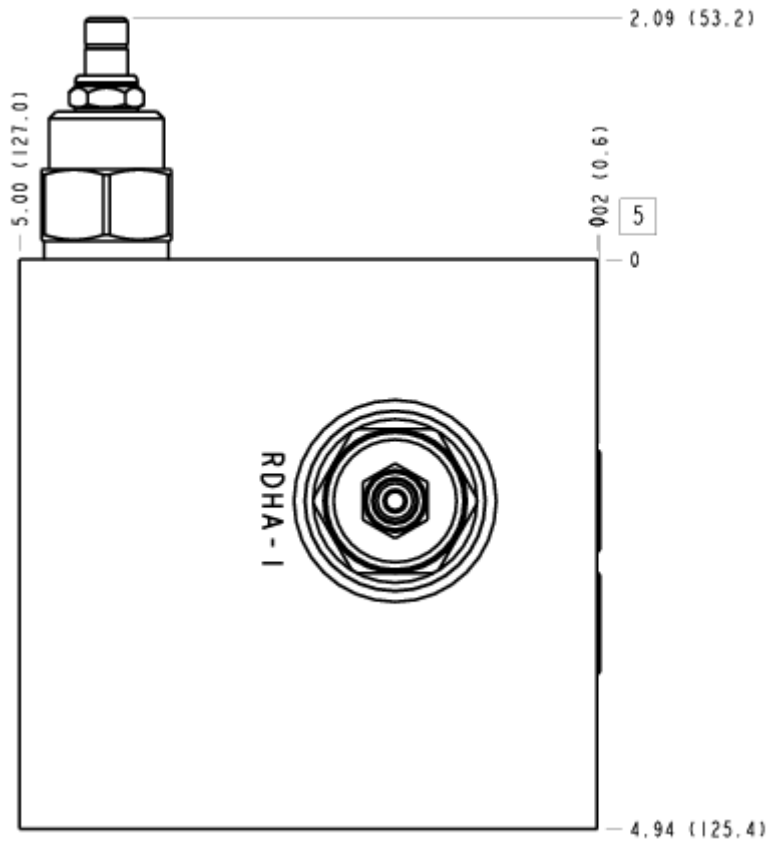
FACE GRID

1	2	3	4
5	6	7	8
9	10	11	12

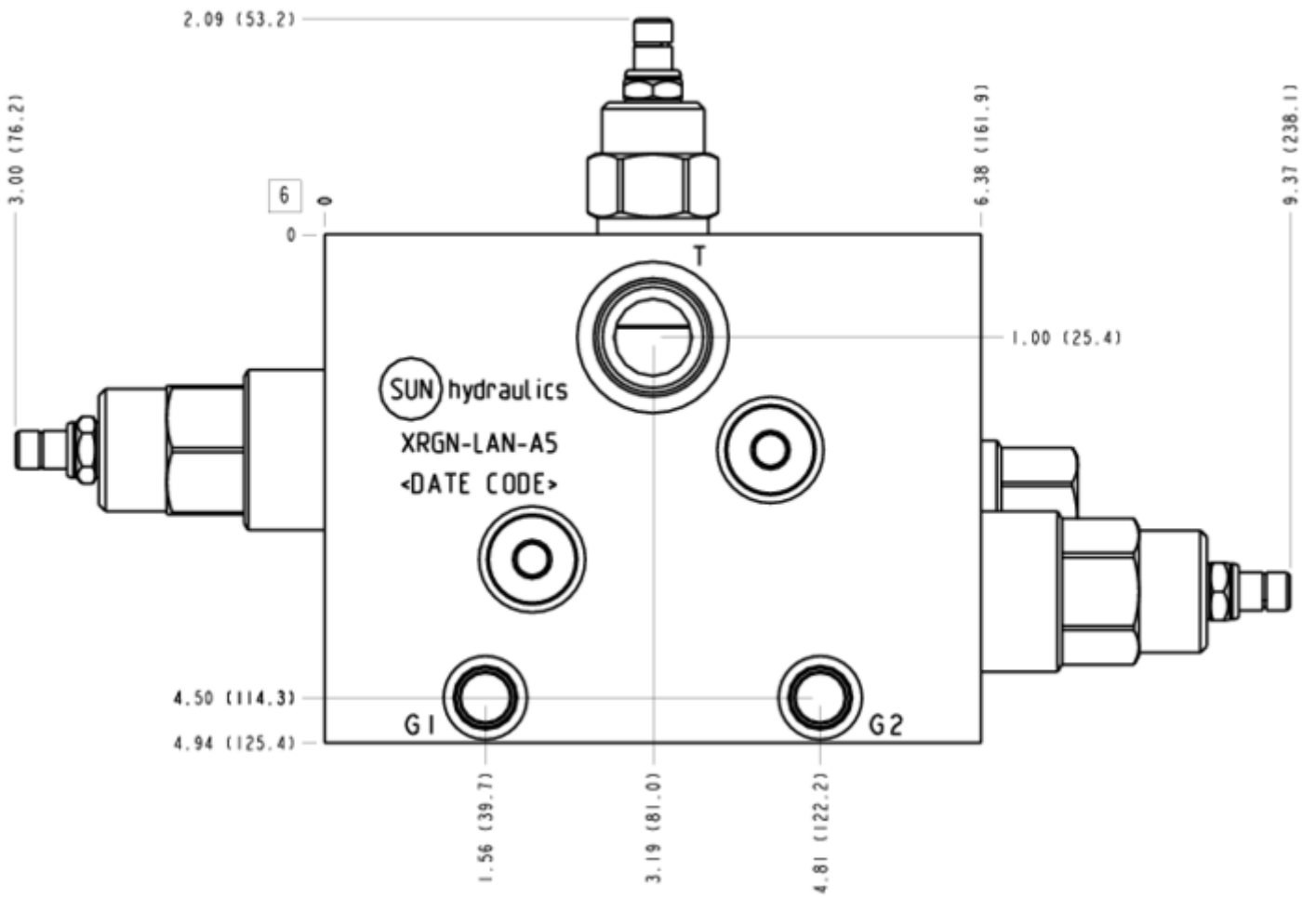
FACE 2



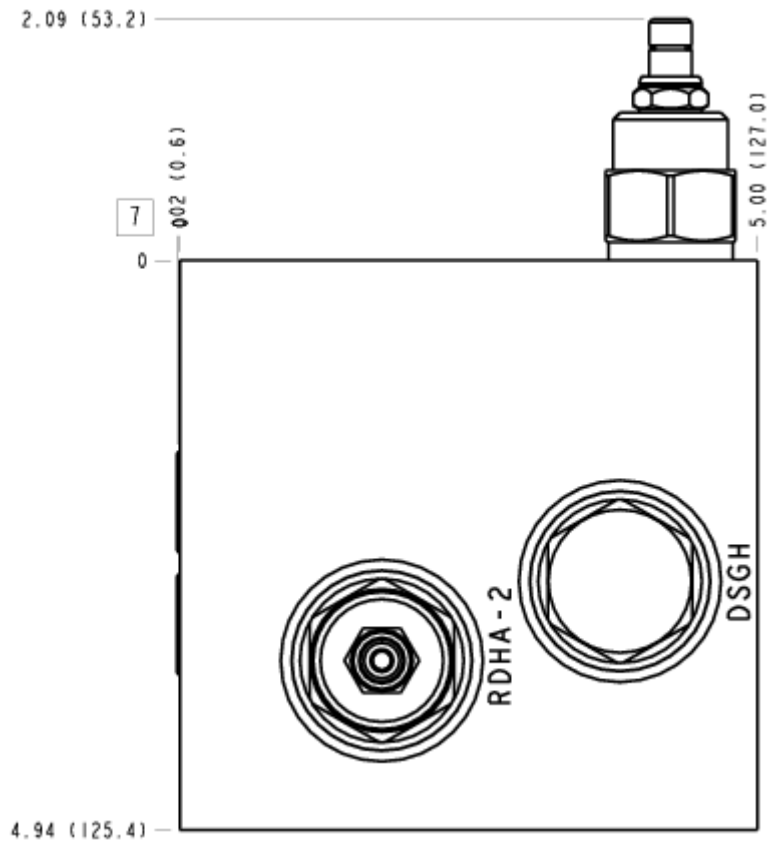
FACE 5



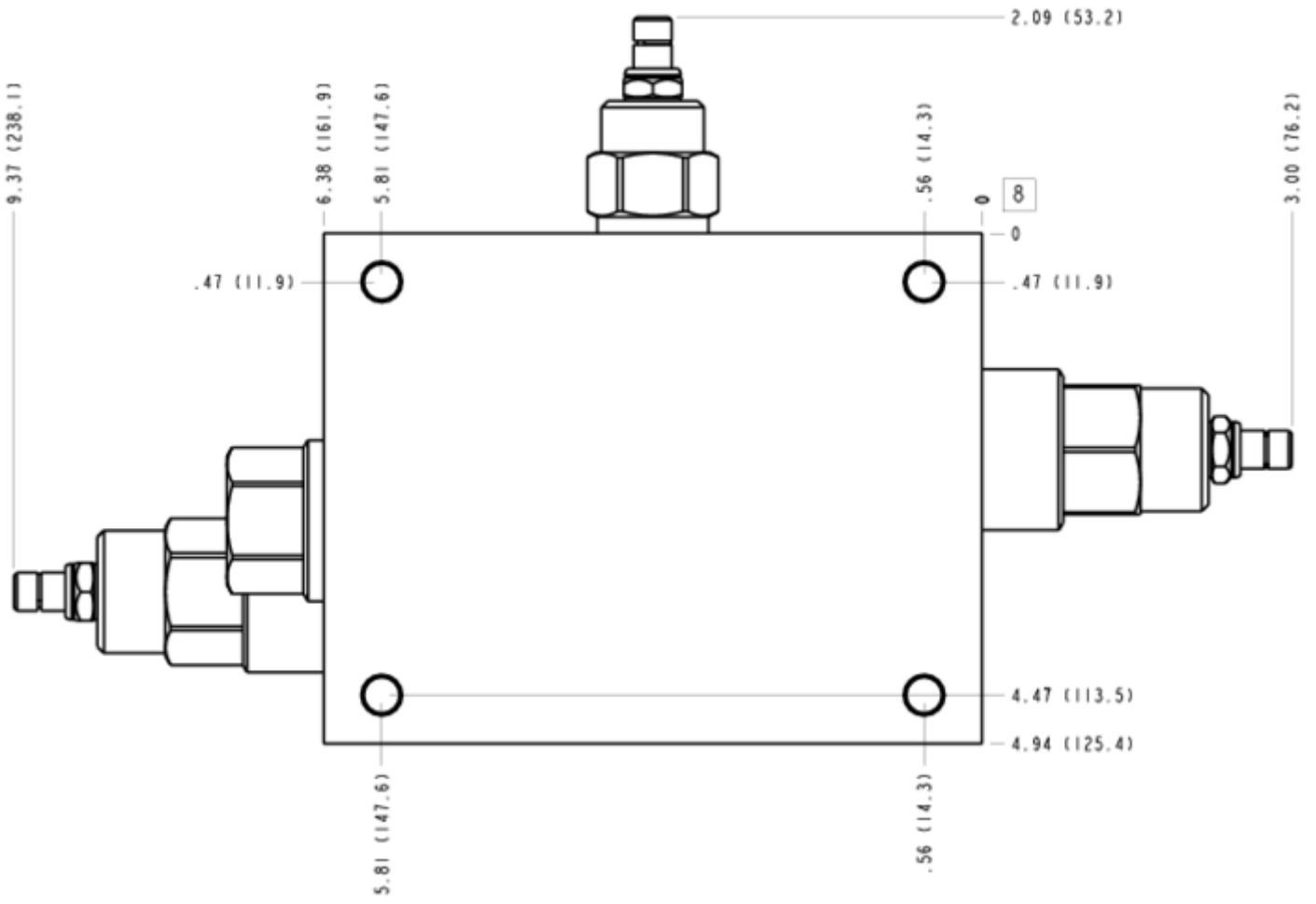
FACE 6



FACE 7



FACE 8



FACE 10

