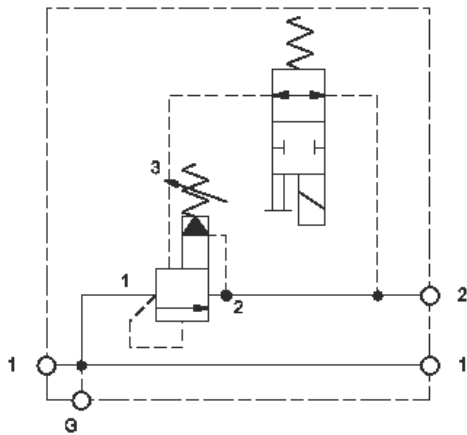


Normally Closed



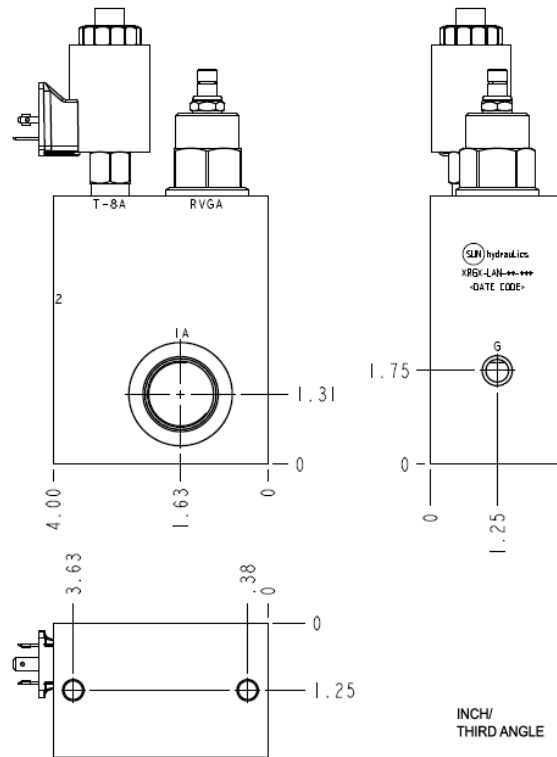
Normally Open

CONFIGURATION

L Control	Standard Screw Adjustment
Seal Material	
Solenoid Designation	
Port and Material Designation	Ports 1 & 2 — 1 1/4" NPTF; Gage Port — 1/4" NPTF; Mtg Holes — .375 - 16UNC x .62 DP; Aluminum
NOTES:	
Coil	

specified.

- For detailed information regarding the cartridges contained in this assembly, click on the models codes shown in the Included Components tab.



This valve assembly provides 2 functions. It relieves from pressure (port 1) to tank (port 2) when pressure at port 1 exceeds the setting of the valve. The solenoid control allows the valve to be vented, dropping the pressure to a minimal level. This assembly is available in both normally open option and normally closed option. The normally open option means the pressure is at a low level until the solenoid is energized. The normally closed option means the pressure is at a high level until the solenoid is energized.

TECHNICAL DATA

Body Type	Line mount
Mounting Hole Quantity	2

- Important:** Carefully consider the maximum system pressure. The pressure rating of the manifold is dependent on the manifold material, with the port type/size a secondary consideration. Manifolds constructed of aluminum are not rated for pressures higher than 3000 psi (210 bar), regardless of the port type/size

CONFIGURATION OPTIONS

Model Code Example: XRGXLANFL912

CONTROL		(L)	SEAL MATERIAL	(V)
L	Standard Screw Adjustment		V	Viton
C	Tamper Resistant - Factory Set		N	Buna-N

INCLUDED COMPONENTS

Part	Description	Quantity
DTAFMHN912	Cartridge	1
RVGALAN	Cartridge - Primary	1