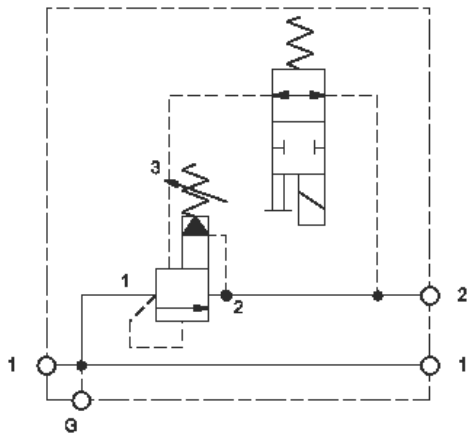


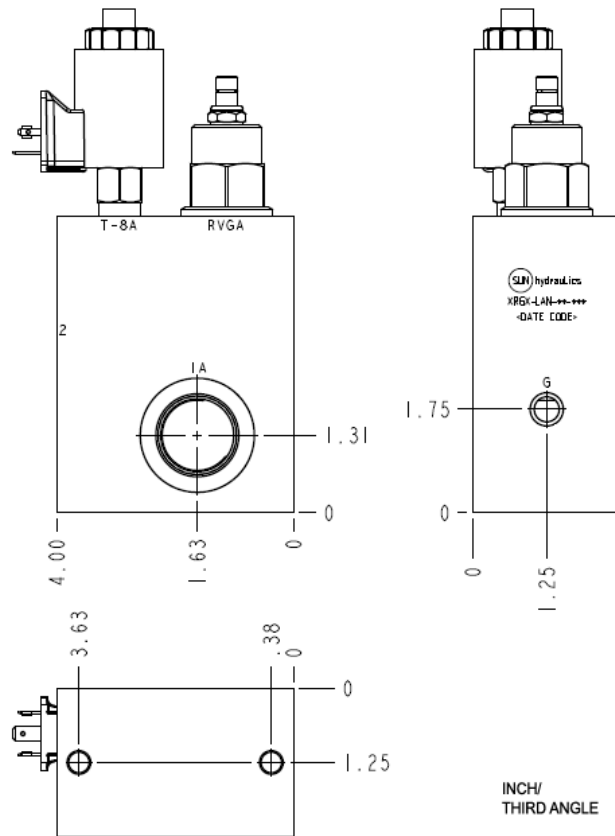
Normally Closed



Normally Open

CONFIGURATION

| | |
|-------------------------------|---|
| L Control | Standard Screw Adjustment |
| Seal Material | |
| Solenoid Designation | |
| Port and Material Designation | Ports 1 & 2 — 1 1/4" NPTF; Gage Port — 1/4" NPTF; Mtg Holes — .375 - 16UNC x .62 DP; Aluminum |
| F Coil | |



This valve assembly provides 2 functions. It relieves from pressure (port 1) to tank (port 2) when pressure at port 1 exceeds the setting of the valve. The solenoid control allows the valve to be vented, dropping the pressure to a minimal level. This assembly is available in both normally open option and normally closed option. The normally open option means the pressure is at a low level until the solenoid is energized. The normally closed option means the pressure is at a high level until the solenoid is energized.

TECHNICAL DATA

NOTE:

| | | |
|------------------------|------------|------------------|
| Body Type | Line mount | DATA MAY VARY BY |
| Series | | |
| Capacity | 60 gpm | |
| Mounting Hole Quantity | 2 | |

- NOTES:**
- **Important:** Carefully consider the maximum system pressure. The pressure rating of the manifold is dependent on the manifold material, with the port type/size a secondary consideration. Manifolds constructed of aluminum are not rated for pressures higher than 3000 psi (210 bar), regardless of the port type/size specified.
 - For detailed information regarding the cartridges contained in this assembly, click on the models codes shown in the Included Components tab.

OPTION SELECTION EXAMPLE: XRGXLANFL912

| CONTROL | | (L) | SEAL MATERIAL | (V) |
|---------|--------------------------------|-----|---------------|-----|
| L | Standard Screw Adjustment | V | Viton | |
| C | Tamper Resistant - Factory Set | N | Buna-N | |

INCLUDED COMPONENTS

| Part | Description | Quantity |
|------------|---------------------|----------|
| DTAFMHN912 | Cartridge | 1 |
| RVGALAN | Cartridge - Primary | 1 |

TECHNICAL FEATURES

- This assembly is well suited to loading and unloading a pump.
- The nature of a vented relief is that it brings the pressure up in a smooth manner. Unloading is abrupt.
- Now available with FLeX Series solenoid valves. See CONFIGURATION section, SOLENOID DESIGNATION to specify.