

TECHNICAL DATA NOTE: DATA MAY VARY BY CONFIGURATION. SEE CONFIGURATION SECTION.

Body Type	montaje en línea
Series	
Capacity	240 L/min.
Mounting Hole Quantity	2

OPTION SELECTION EXAMPLE: XRGXLANFN912

CONTROL	(L) ADJUSTMENT RANGE	(A) SEAL MATERIAL	(N)
L Standard Screw Adjustment	A 100 - 3000 psi (7 - 210 bar), 1000 psi (70 bar) Standard Setting	N Buna-N	
	J 25 - 1500 psi (1,7 - 105 bar), 1000 psi (70 bar) Standard Setting	V Viton	

INCLUDED COMPONENTS

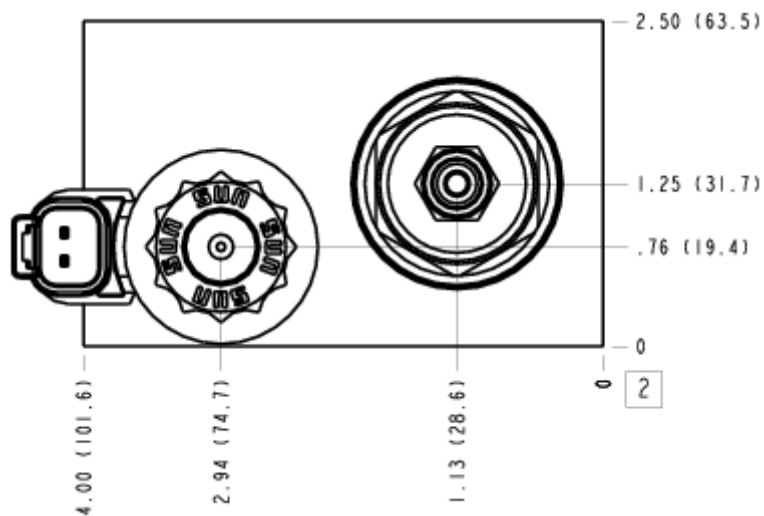
Part	Description	Quantity
DTAFMHN912	Cartridge	1
RVGALAN	Cartridge - Primary	1

MANIFOLD FACES

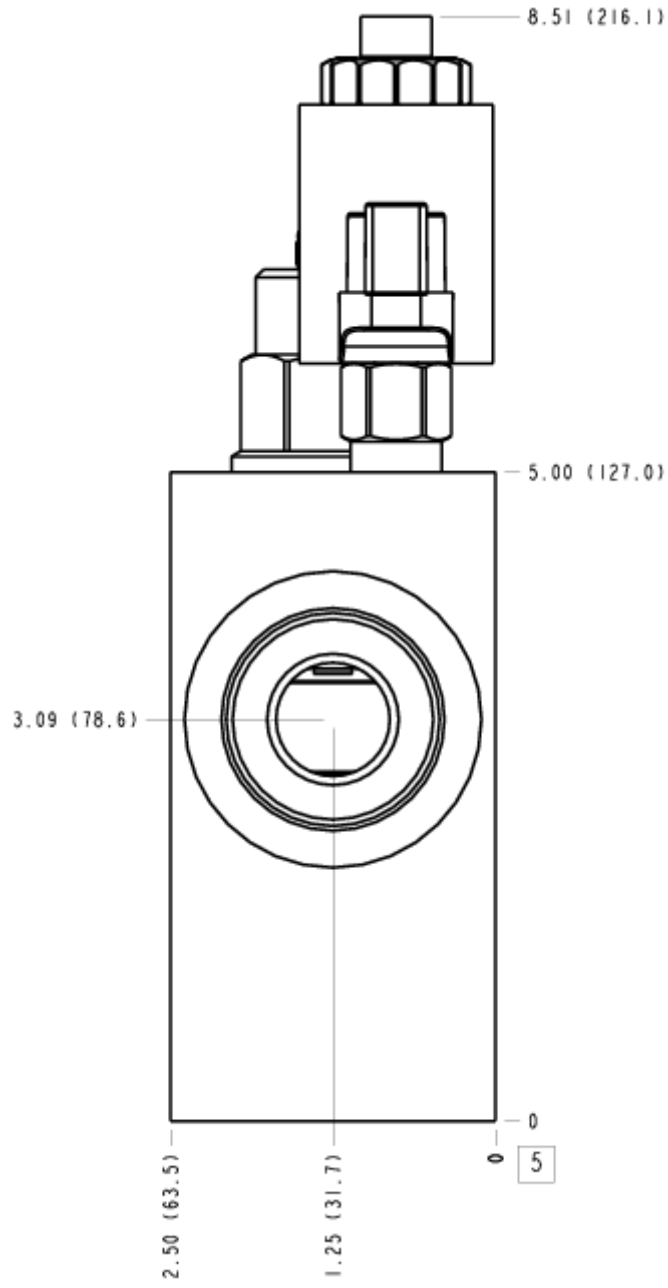
FACE GRID

1	2	3	4
5	6	7	8
9	10	11	12

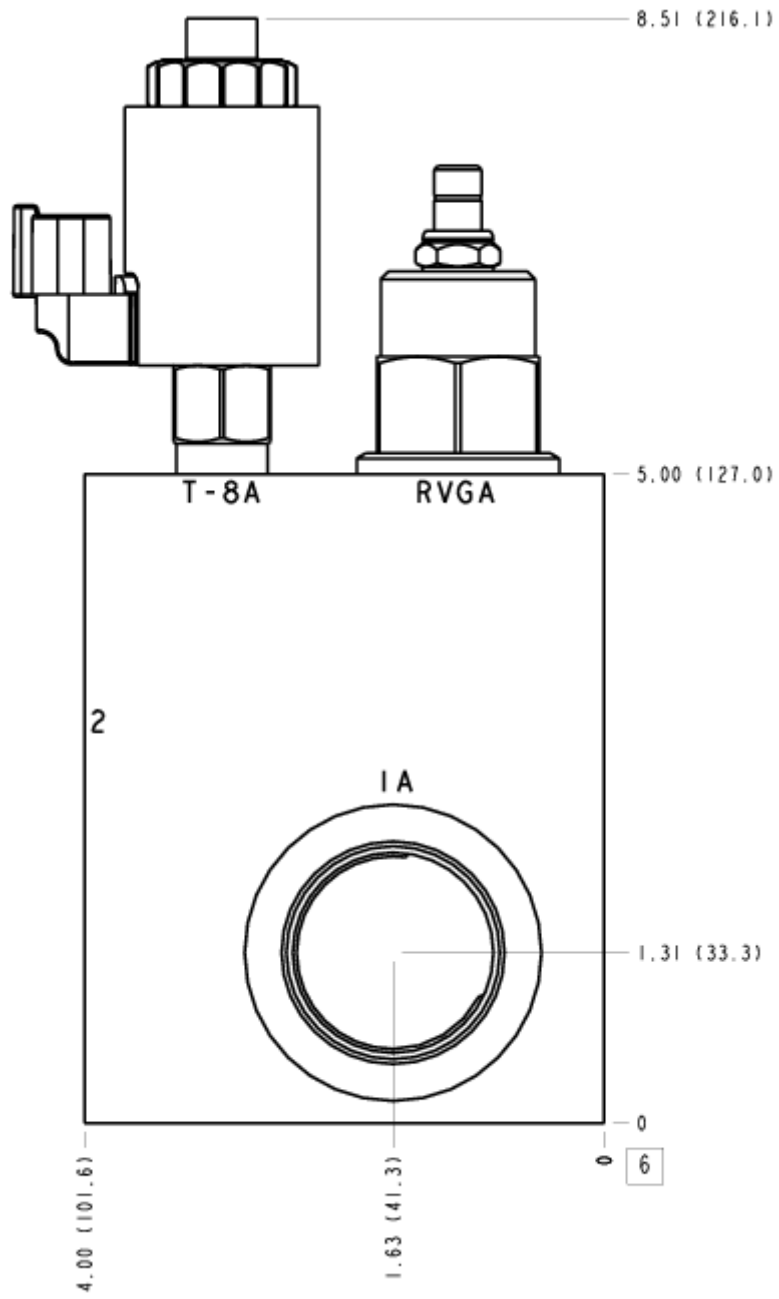
FACE 2



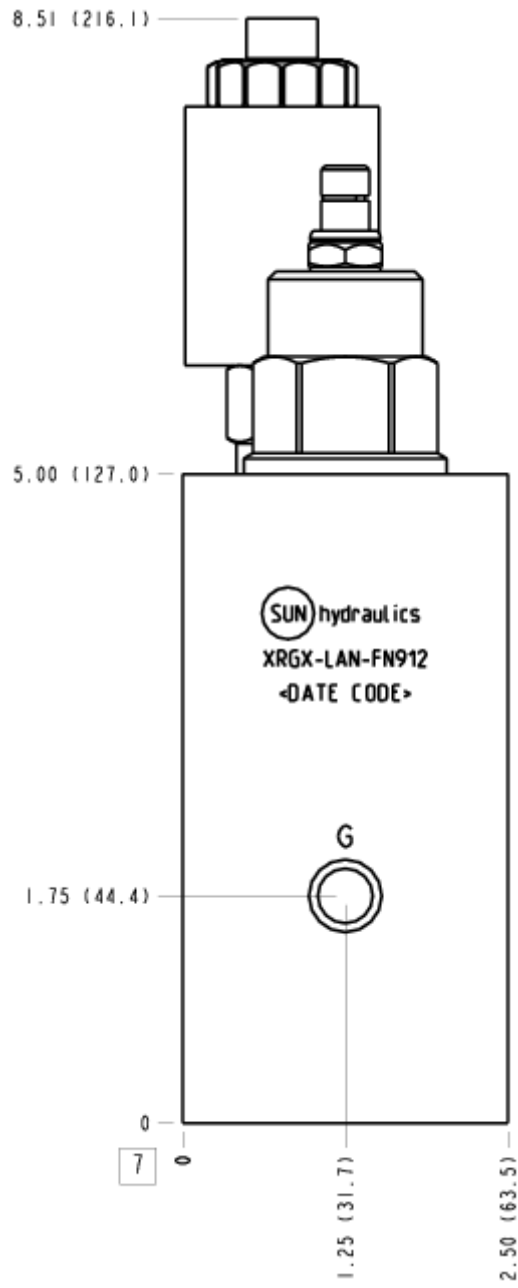
FACE 5



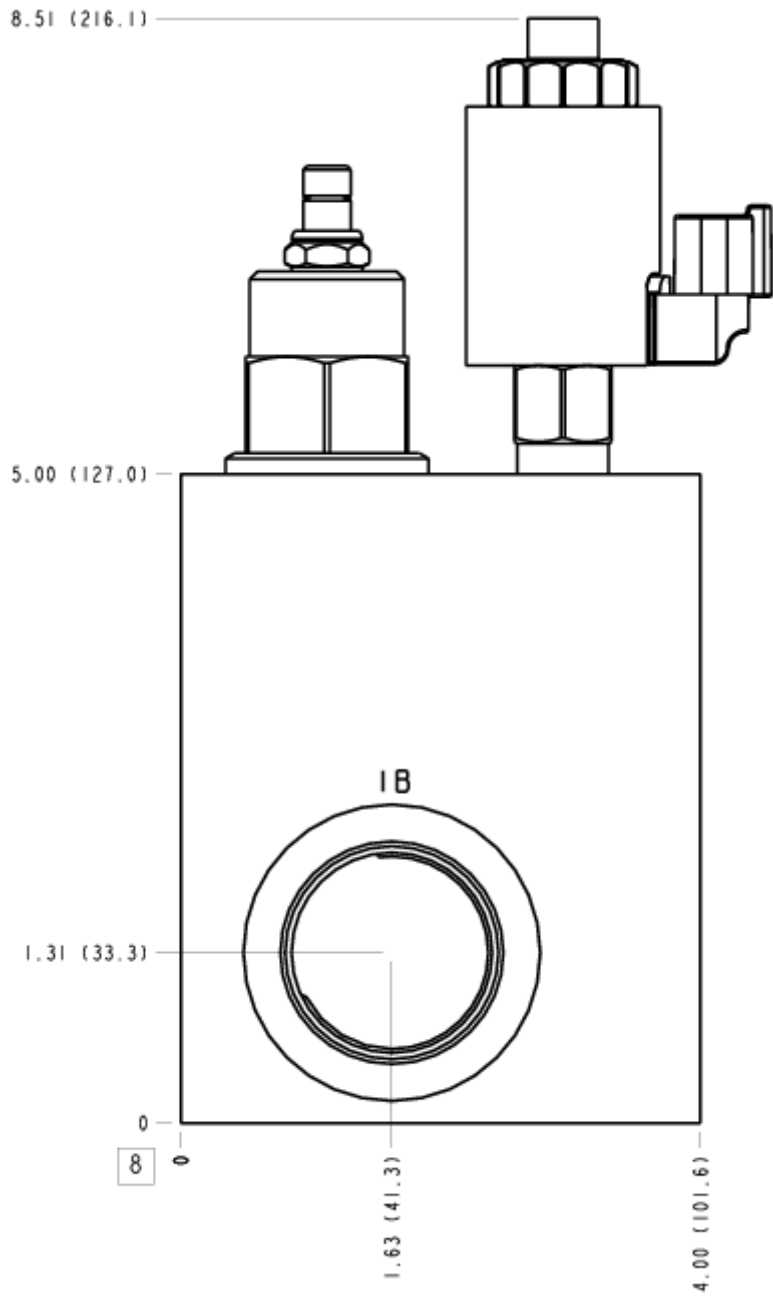
FACE 6



FACE 7



FACE 8



FACE 10

