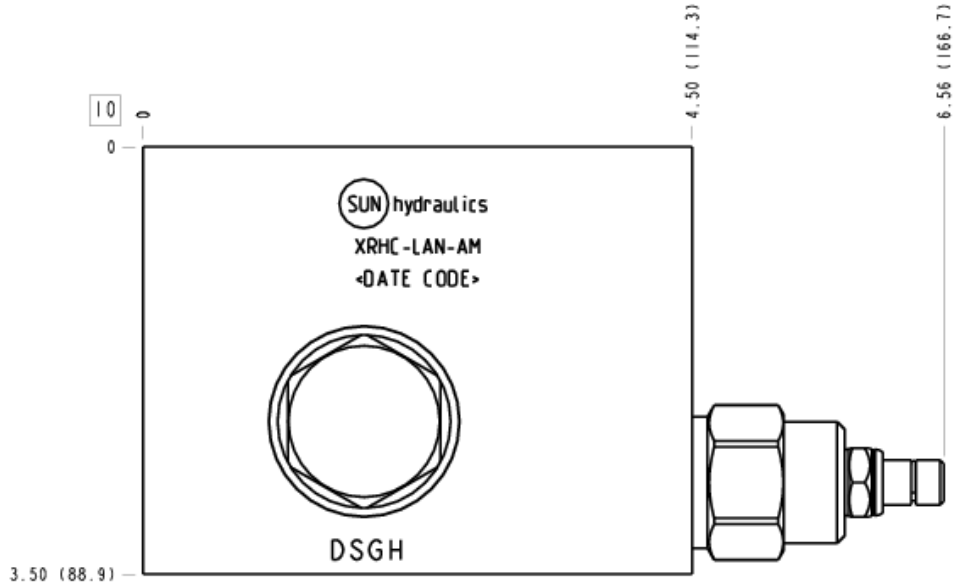


**CONFIGURATION**

<b>L</b>	
<b>A</b>	100 - 3000 psi (7 - 210 bar), 1000 psi (70 bar)
<b>N</b>	
<b>A</b>	Primary Cartridge A (with RPGC primary cartridge,
<b>M</b>	Port and Material Designation Ports 1 & 2 — SAE 16; Port T — SAE 12; Gage Port — SAE 6; Mtg Holes — .375 - 16UNC x .62 DP; Aluminum



**TECHNICAL DATA**

		NOTE:
		DATA
		MAY
	160 L/min.	VARY
		BY

CONFIGURATION. SEE CONFIGURATION SECTION.

**OPTION SELECTION EXAMPLE: XRHCLANAM**

(L) (A) (N)

<b>L</b>	<b>A</b>	100 - 3000 psi (7 - 210 bar), 1000 psi (70 bar)	<b>N</b>
<b>C</b>	<b>N</b>	60 - 800 psi (4 - 55 bar), 400 psi (28 bar)	<b>V</b>
	<b>Q</b>	60 - 400 psi (4 - 28 bar), 200 psi (14 bar)	

**PRIMARY CARTRIDGE (A)**

<b>A</b>	A (with RPGC primary cartridge, , )
<b>A</b>	A (with RPGC3 primary cartridge, , )
<b>A</b>	A (with RPGC8 primary cartridge, , T-8A )

**INCLUDED COMPONENTS**

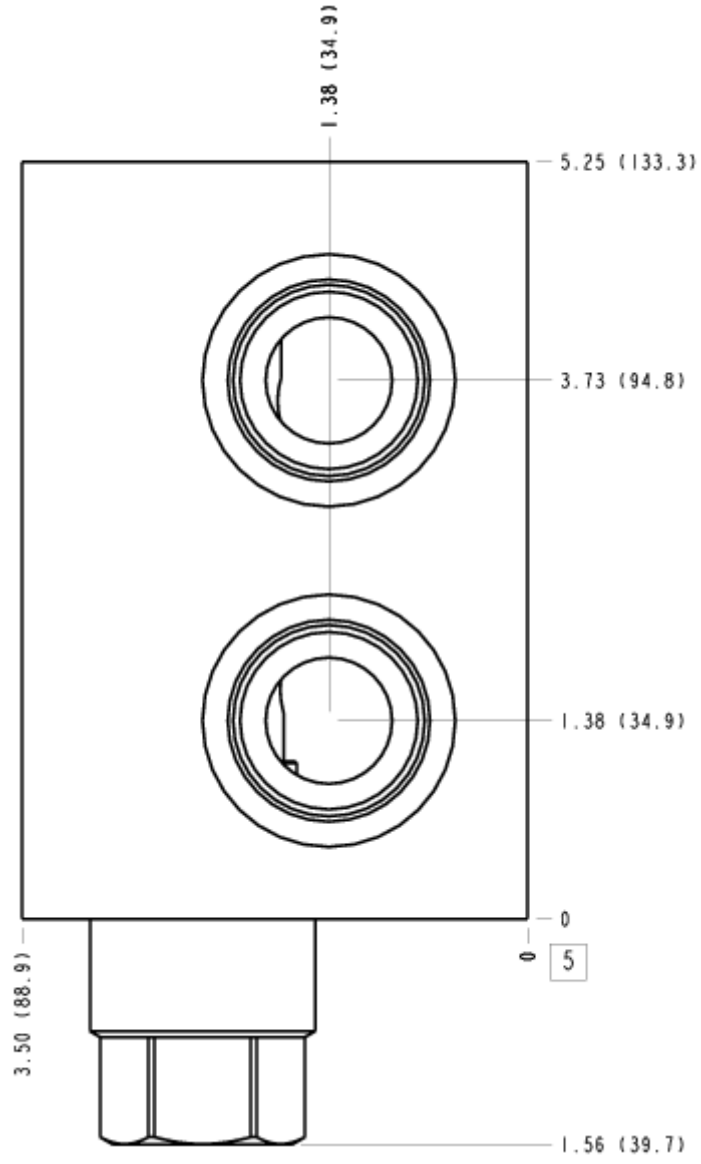
Part	Description	Quantity
DSGHXHN	Cartridge	1
RPGCLAN	Cartridge - Primary	1

**MANIFOLD FACES**

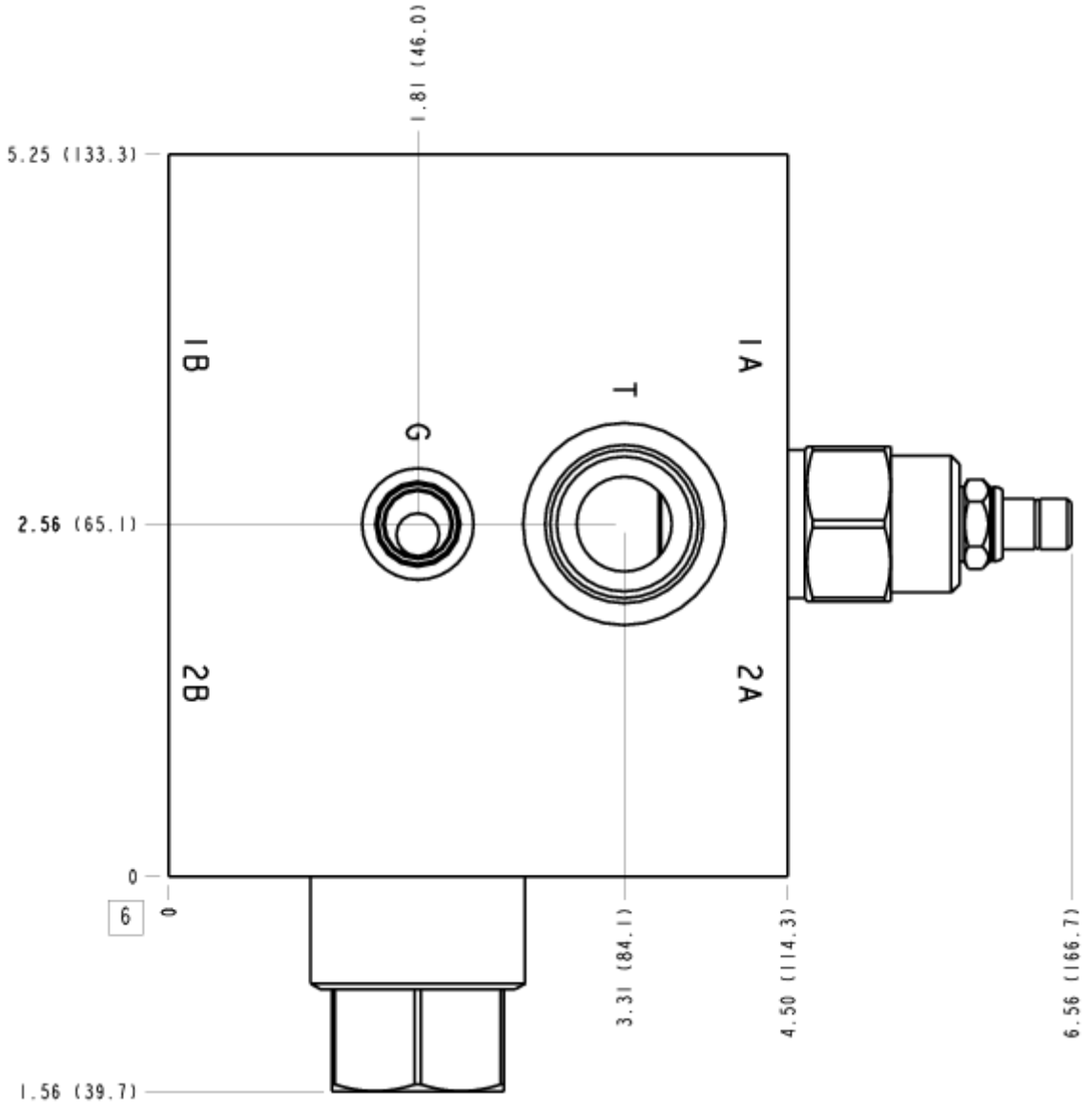
**FACE GRID**

5	6	7	8
9	10	11	12

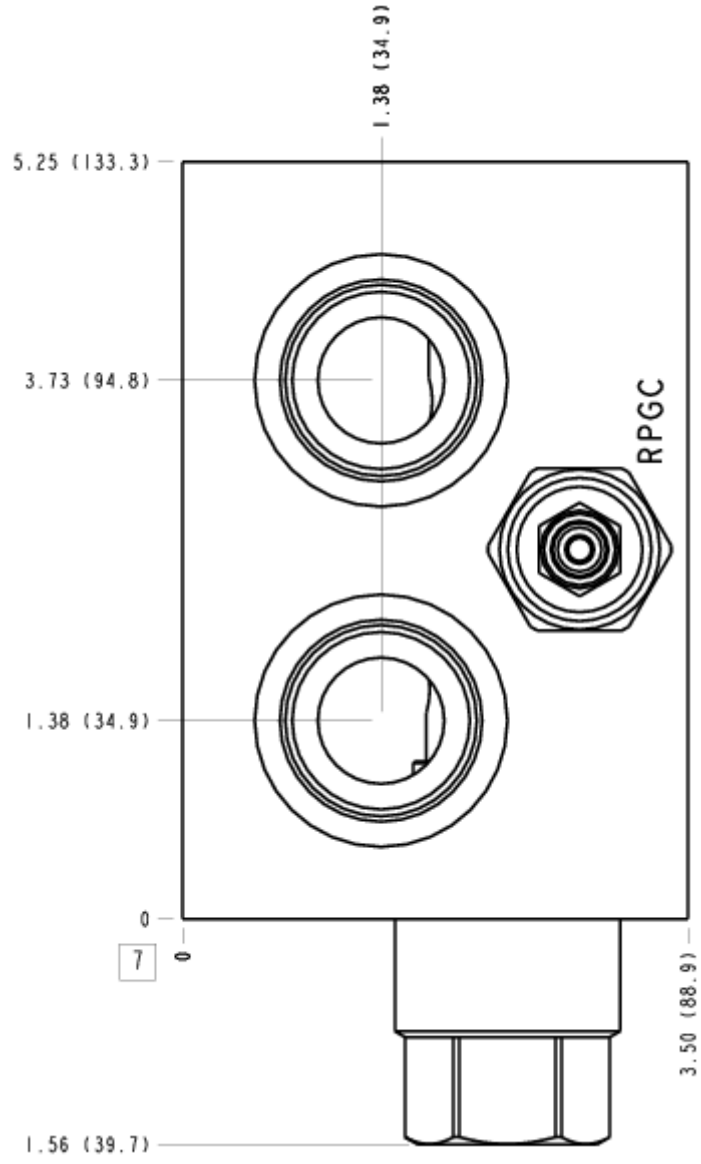
FACE 5



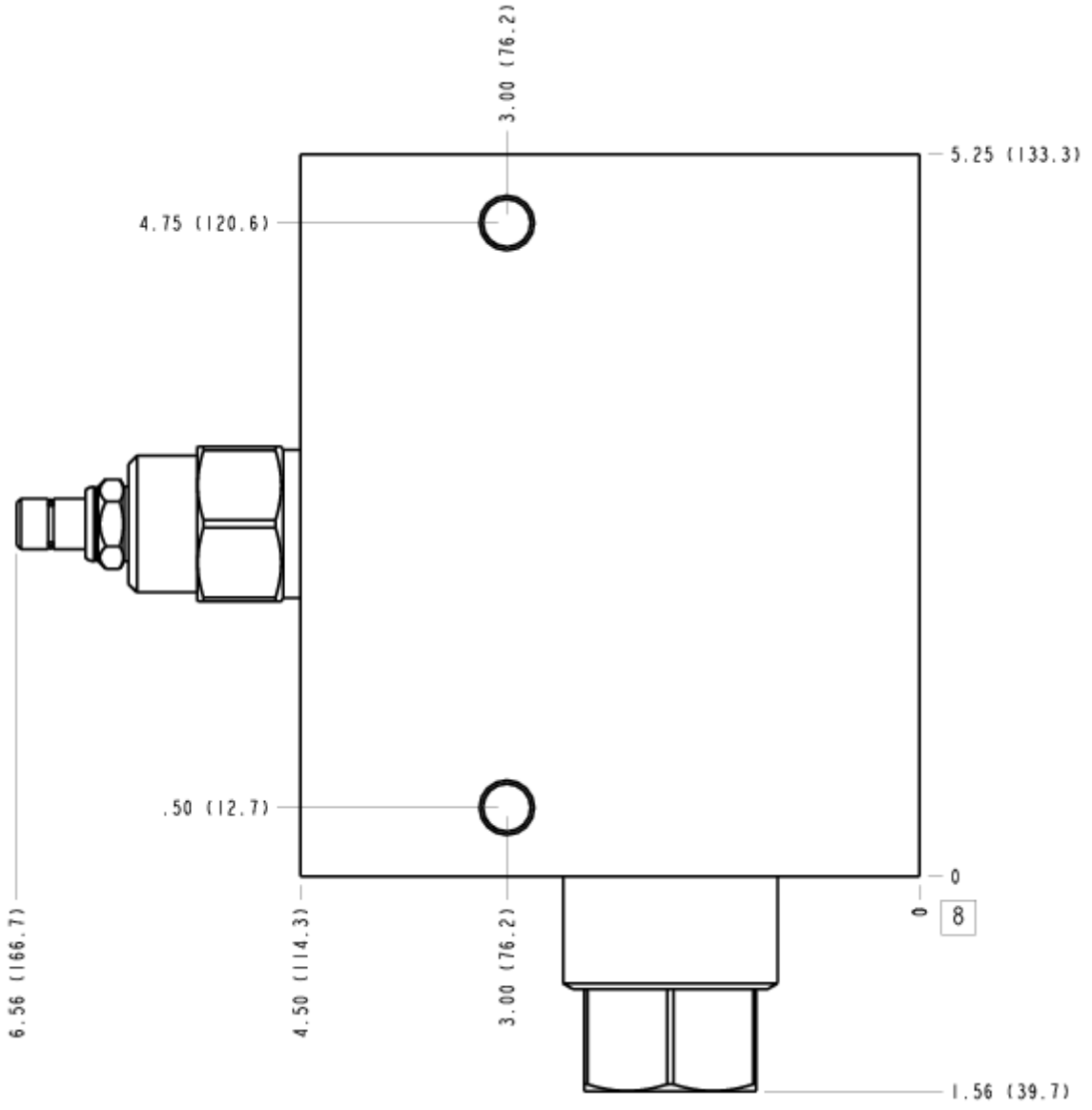
FACE 6



FACE 7



FACE 8



FACE 10

