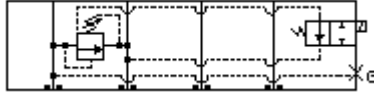
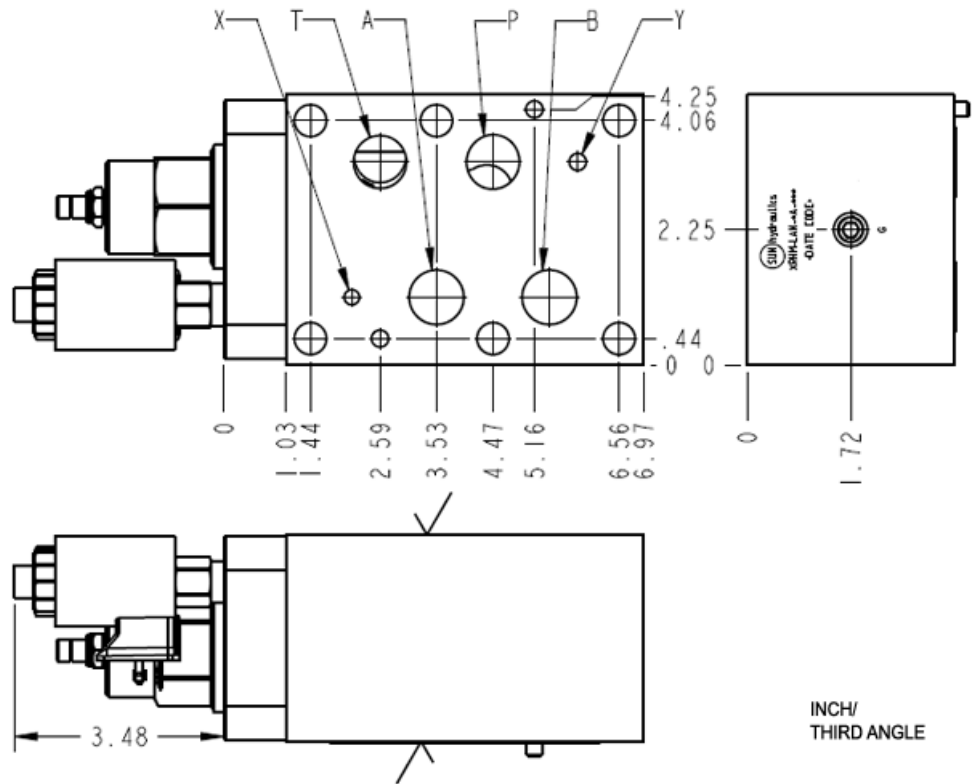


Normally Closed



Normally Open



INCH/  
THIRD ANGLE

### TECHNICAL DATA

Body Type	Sandwich
Interface	ISO 08
Capacity	480 L/min.
Body Features	P to T
Seal Plate Included (see notes)	No
Stack Height	87 mm

**OPTION SELECTION EXAMPLE: XRHMLANFA912**

CONTROL	(L) ADJUSTMENT RANGE	(A) SEAL MATERIAL	(N)
<b>L</b> Standard Screw Adjustment	<b>A</b> 100 - 3000 psi (7 - 210 bar), 1000 psi (70 bar) Standard Setting	<b>N</b> Buna-N	
<b>C</b> Tamper Resistant - Factory Set	<b>B</b> 50 - 1500 psi (3,5 - 105 bar), 1000 psi (70 bar) Standard Setting	<b>V</b> Viton	
	<b>C</b> 150 - 6000 psi (10,5 - 420 bar), 1000 psi (70 bar) Standard Setting		
	<b>D</b> 25 - 800 psi (1,7 - 55 bar), 400 psi (28 bar) Standard Setting		
	<b>E</b> 25 - 400 psi (1,7 - 28 bar), 200 psi (14 bar) Standard Setting		
	<b>N</b> 60 - 800 psi (4 - 55 bar), 400 psi (28 bar) Standard Setting		
	<b>W</b> 150 - 4500 psi (10,5 - 315 bar), 1000 psi (70 bar) Standard Setting		

**INCLUDED COMPONENTS**

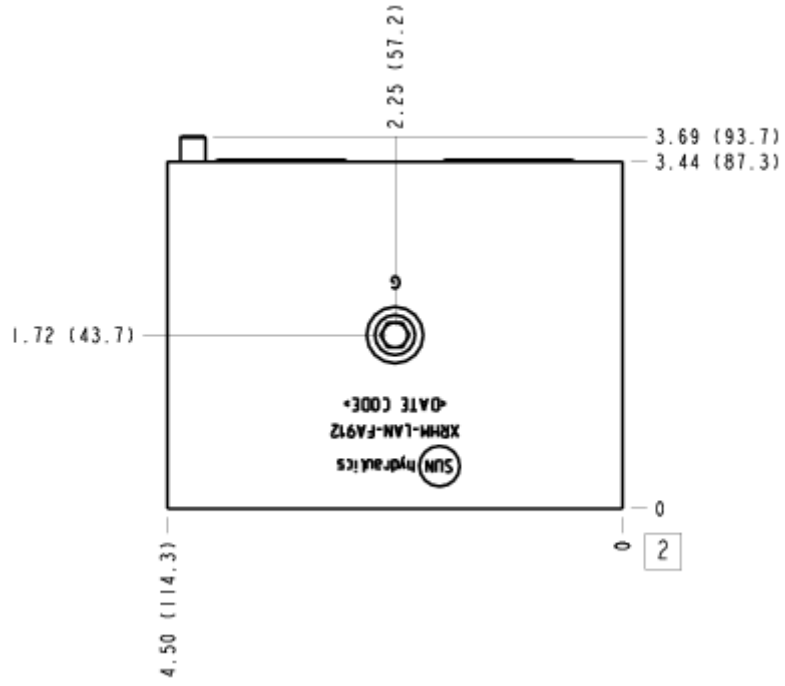
Part	Description	Quantity
340-003*	Pipe Plug	1
500-001-114*	O-Ring	2
500-001-121*	O-Ring	4
811-001-002*	Locating Pin	1
DTAFMHN912	Cartridge	1
RVIALAN	Cartridge - Primary	1

**MANIFOLD FACES**

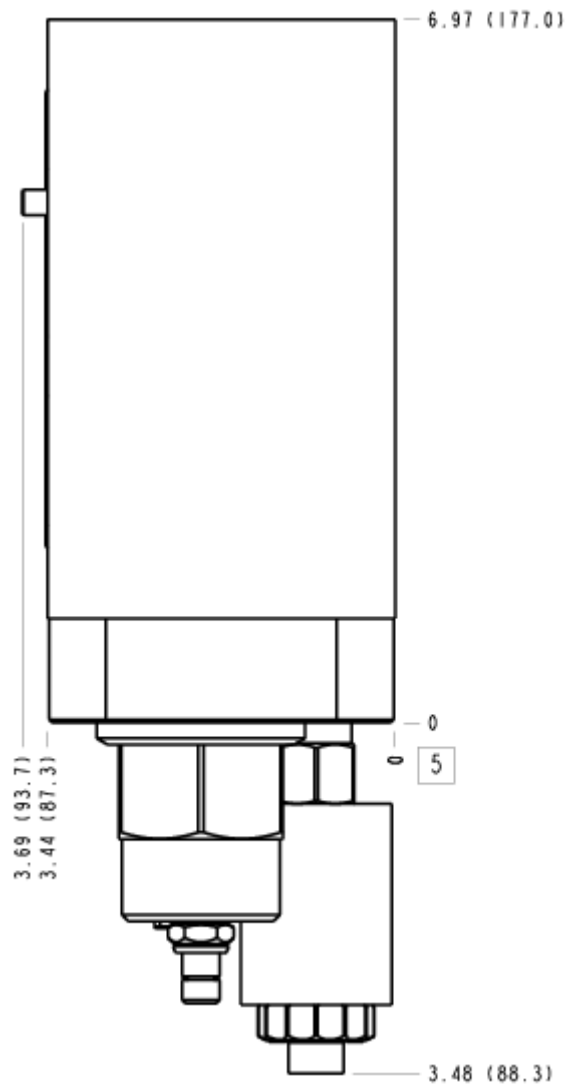
**FACE GRID**

1	2	3	4
5	6	7	8
9	10	11	12

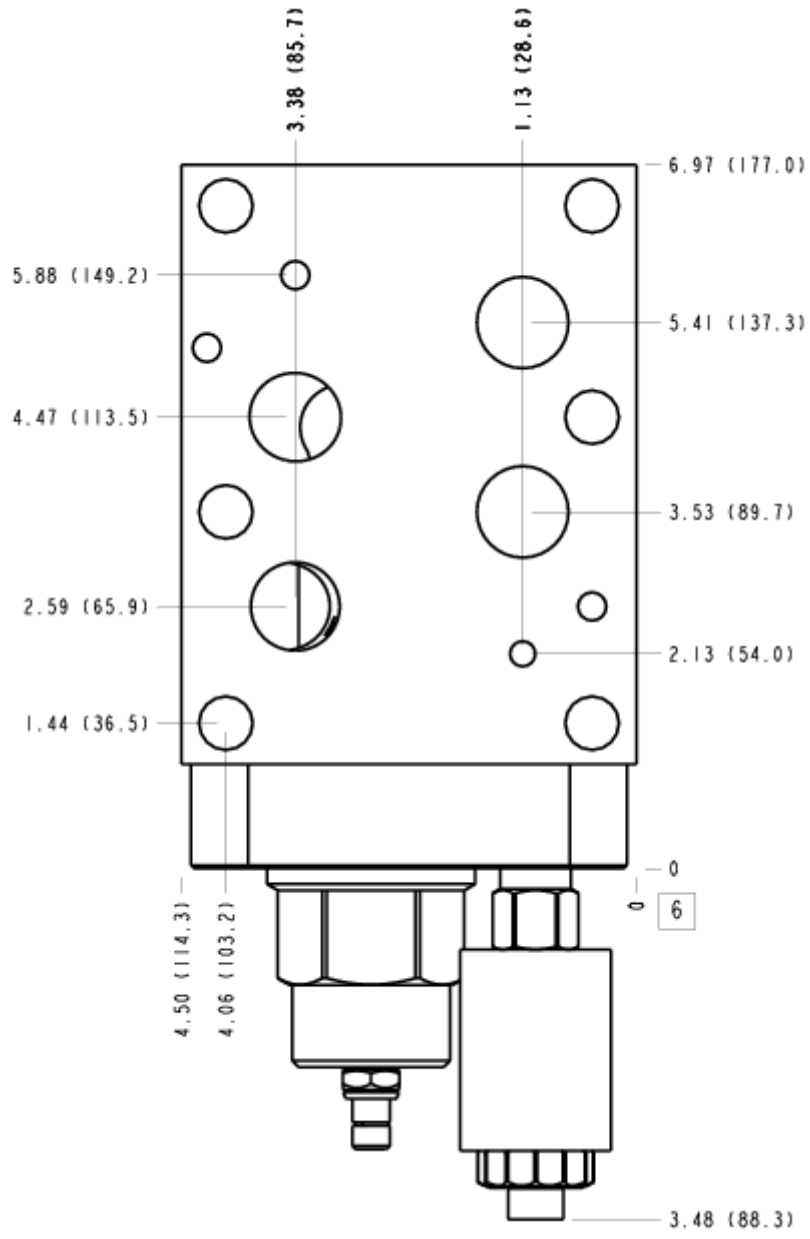
### FACE 2



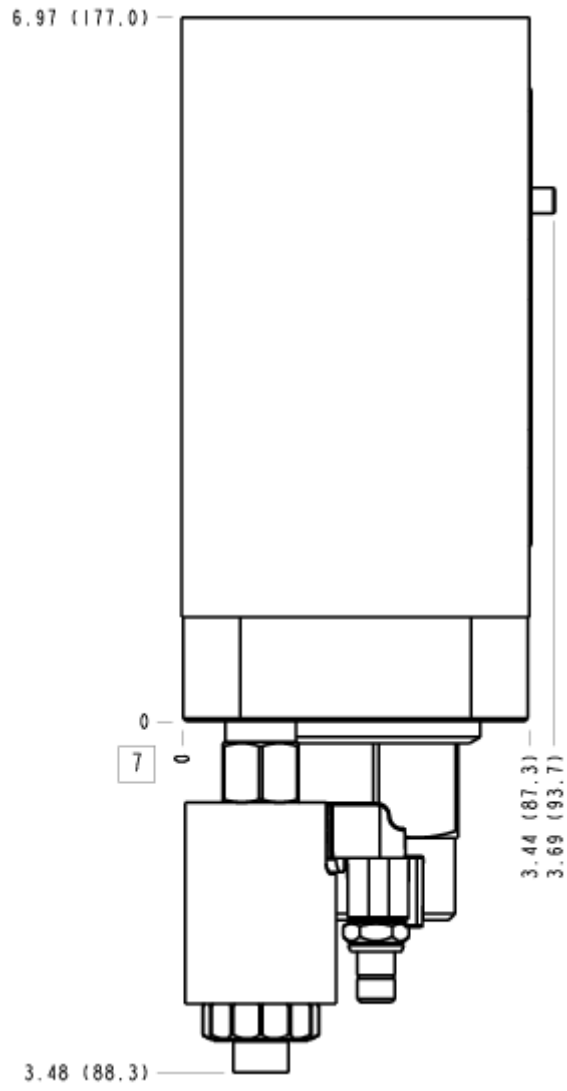
### FACE 5



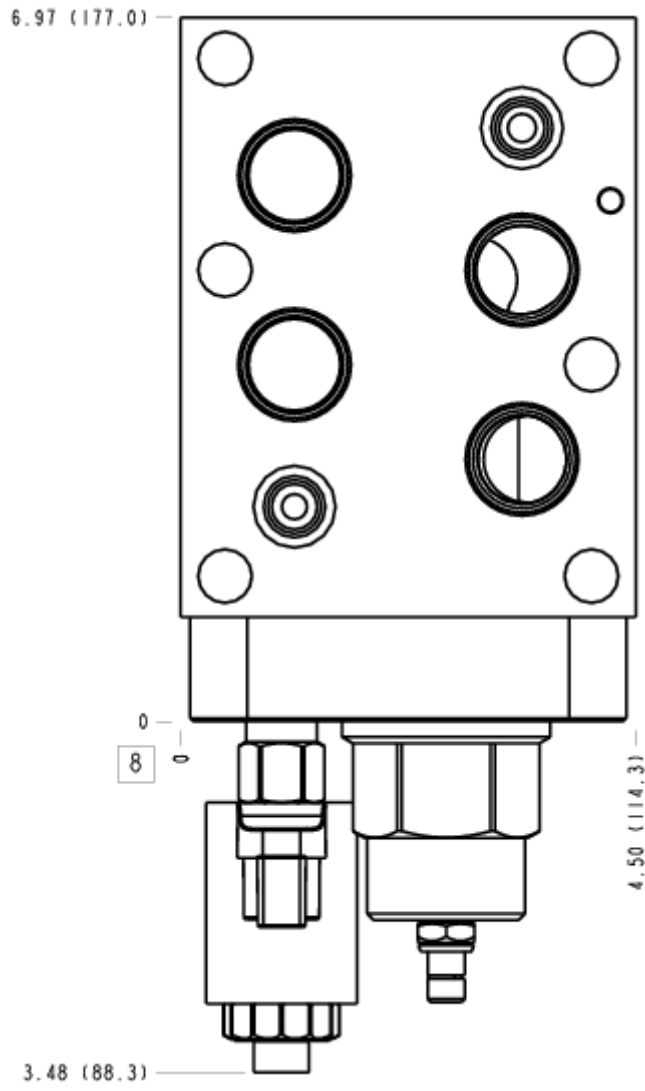
# FACE 6



# FACE 7



FACE 8



FACE 10

