

TECHNICAL DATA NOTE: DATA MAY VARY BY CONFIGURATION. SEE CONFIGURATION SECTION.

	480 L/min.

OPTION SELECTION EXAMPLE: XRJCLANAM

(L) (A) (N)

L	A	100 - 3000 psi (7 - 210 bar), 1000 psi (70 bar)	N
C			V
W	B	50 - 1500 psi (3,5 - 105 bar), 1000 psi (70 bar)	
Y	C	150 - 6000 psi (10,5 - 420 bar), 1000 psi (70 bar)	
	D	25 - 800 psi (1,7 - 55 bar), 400 psi (28 bar)	
	E	25 - 400 psi (1,7 - 28 bar), 200 psi (14 bar)	
	N	60 - 800 psi (4 - 55 bar), 400 psi (28 bar)	
	Q	60 - 400 psi (4 - 28 bar), 200 psi (14 bar)	
	W	150 - 4500 psi (10,5 - 315 bar), 1000 psi (70 bar)	

PRIMARY CARTRIDGE

(A)

A	A (with RPIC primary cartridge, Pilot-operated,)	
A	A (with RPIC8 primary cartridge, Pilot-operated,	T-8A)

INCLUDED COMPONENTS

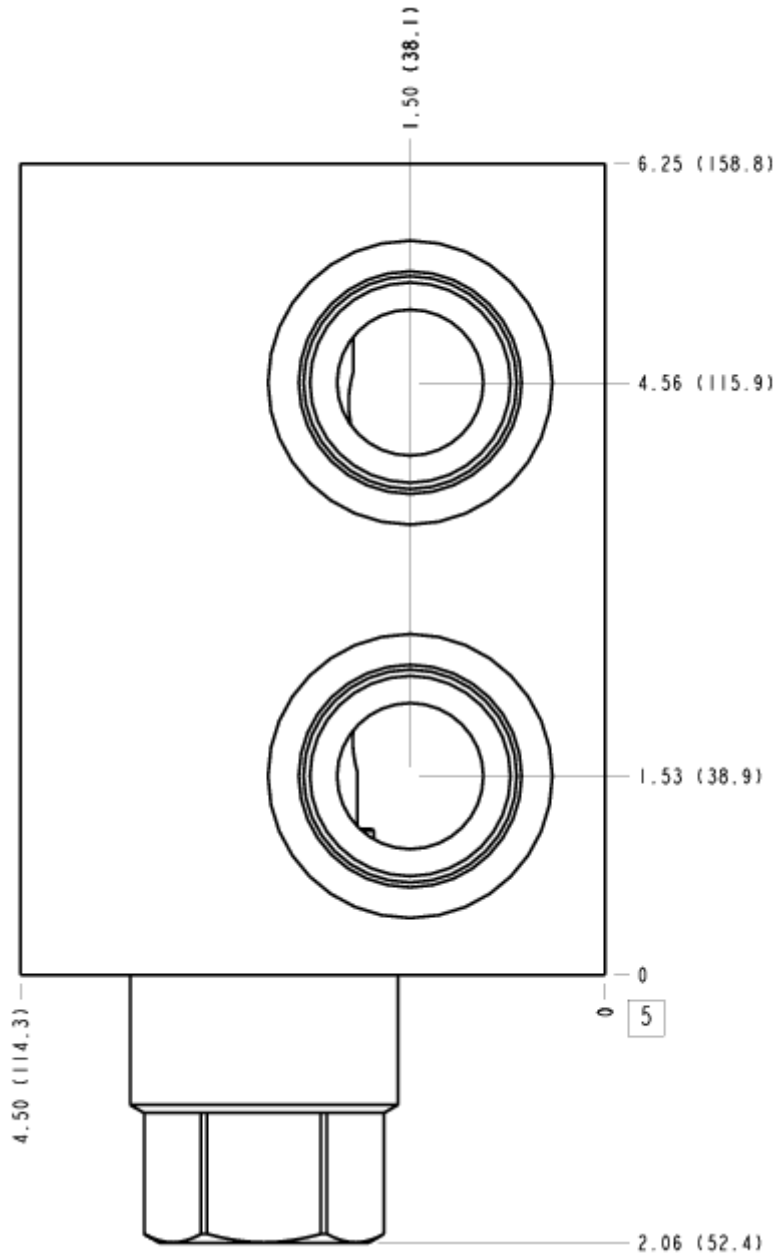
Part	Description	Quantity
DSIHXHN	Cartridge	1
RPICLAN	Cartridge - Primary	1

MANIFOLD FACES

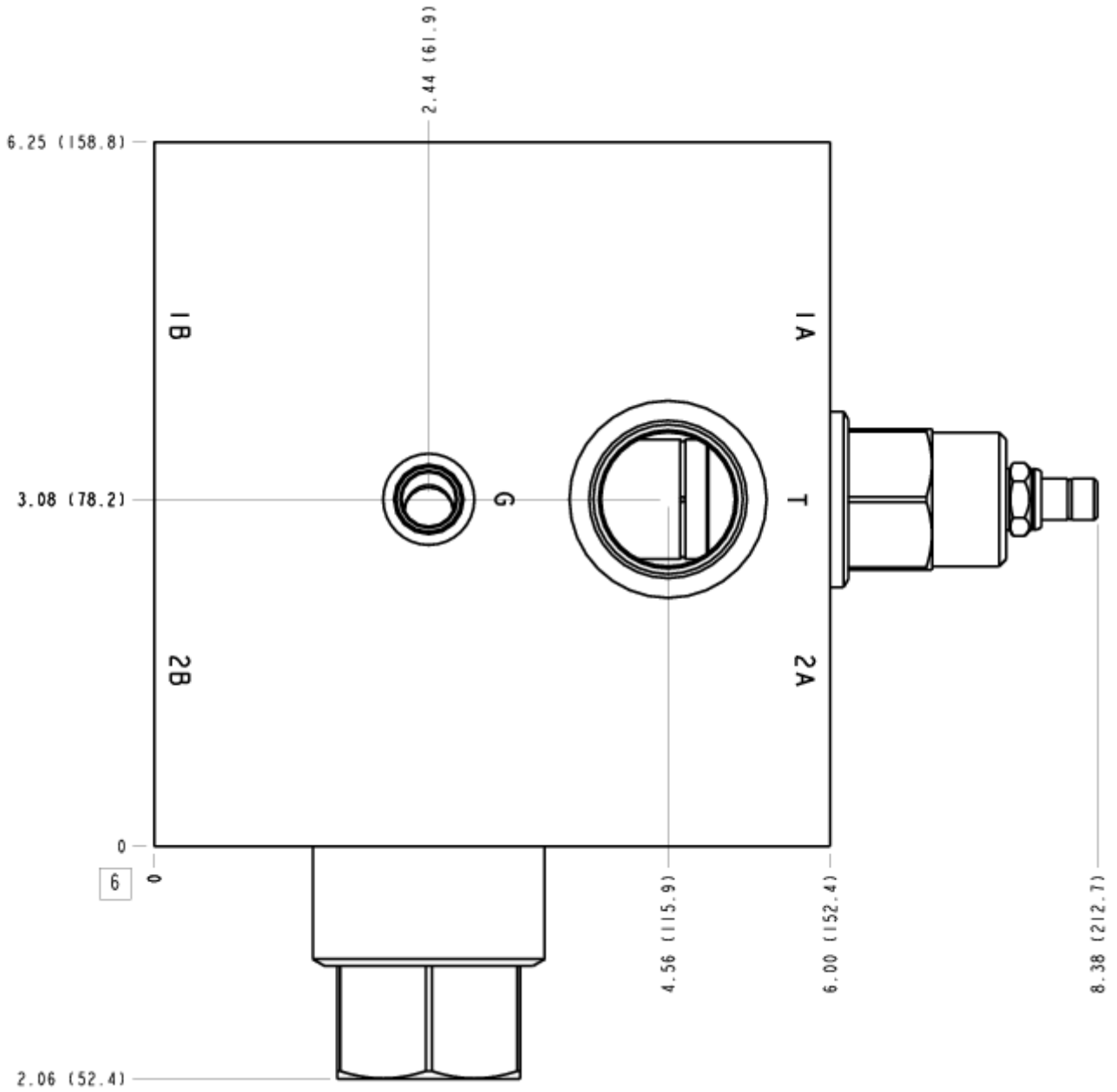
FACE GRID

5	6	7	8
9	10	11	12

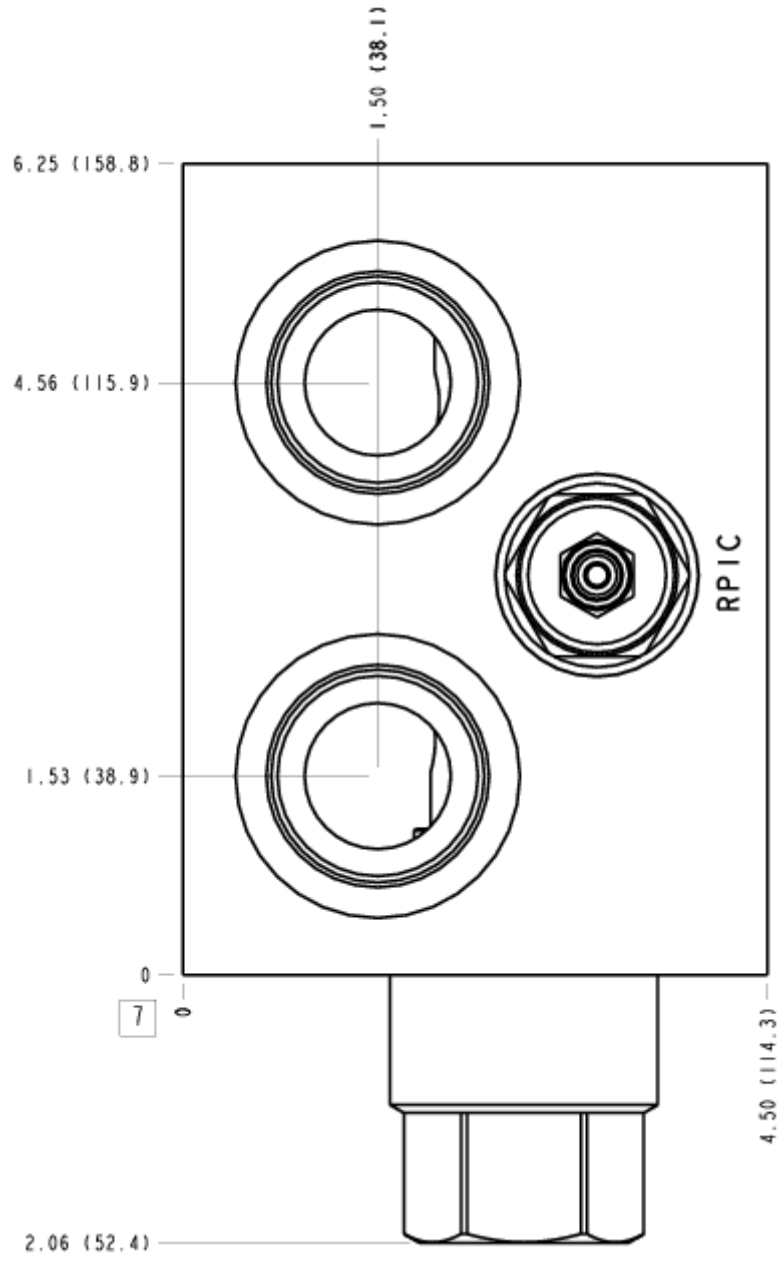
FACE 5



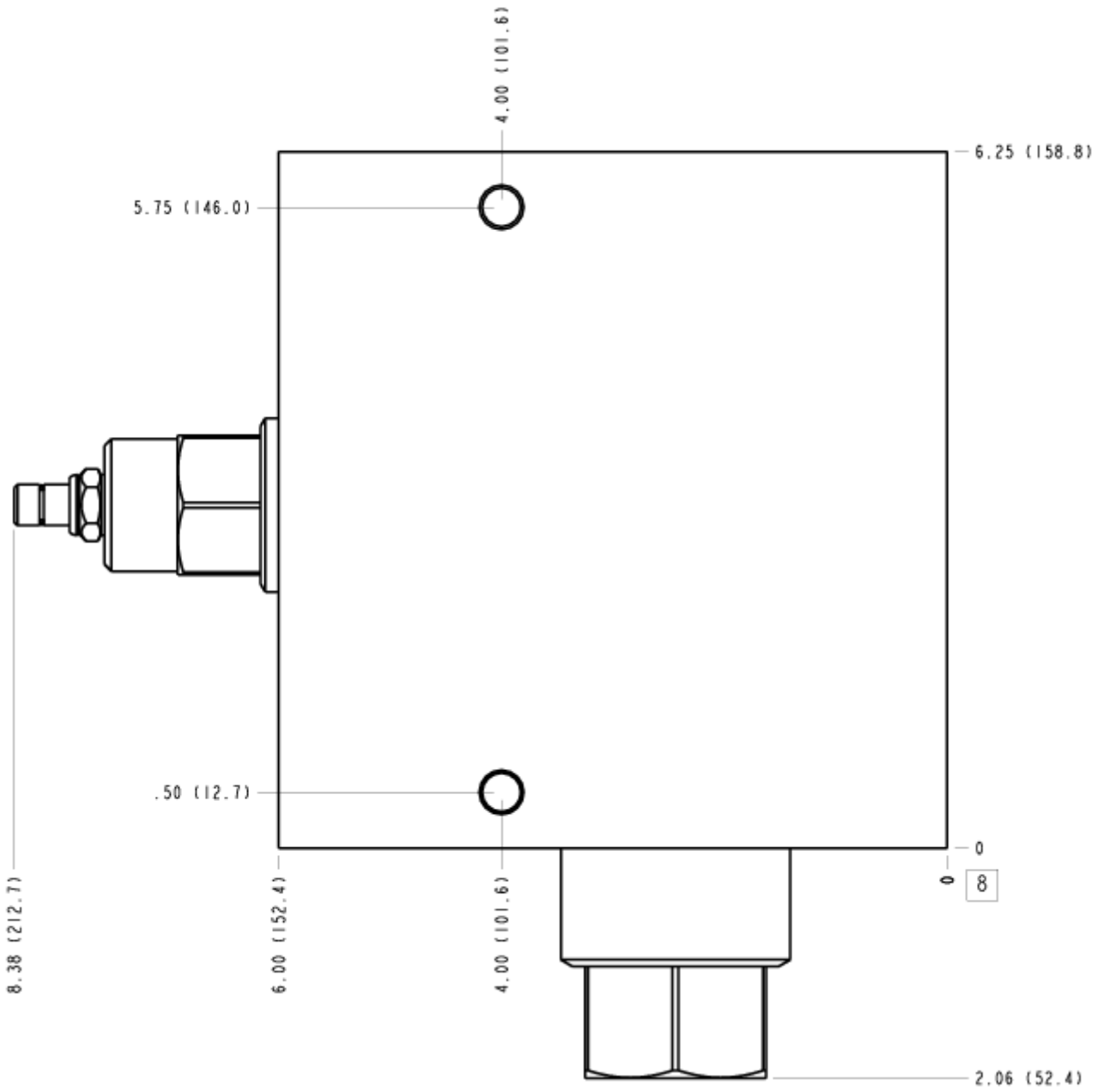
FACE 6



FACE 7



FACE 8



FACE 10

