

TECHNICAL DATA NOTE: DATA MAY VARY BY CONFIGURATION. SEE CONFIGURATION SECTION.

	480 L/min.

OPTION SELECTION EXAMPLE: XRJCLNNAM

(L) (N) (N)

L	N 60 - 800 psi (4 - 55 bar), 400 psi (28 bar)	N
---	---	---

V

PRIMARY CARTRIDGE

(A)

A	A (with RPIC primary cartridge,)
A	A (with RPIC8 primary cartridge, T-8A)

INCLUDED COMPONENTS

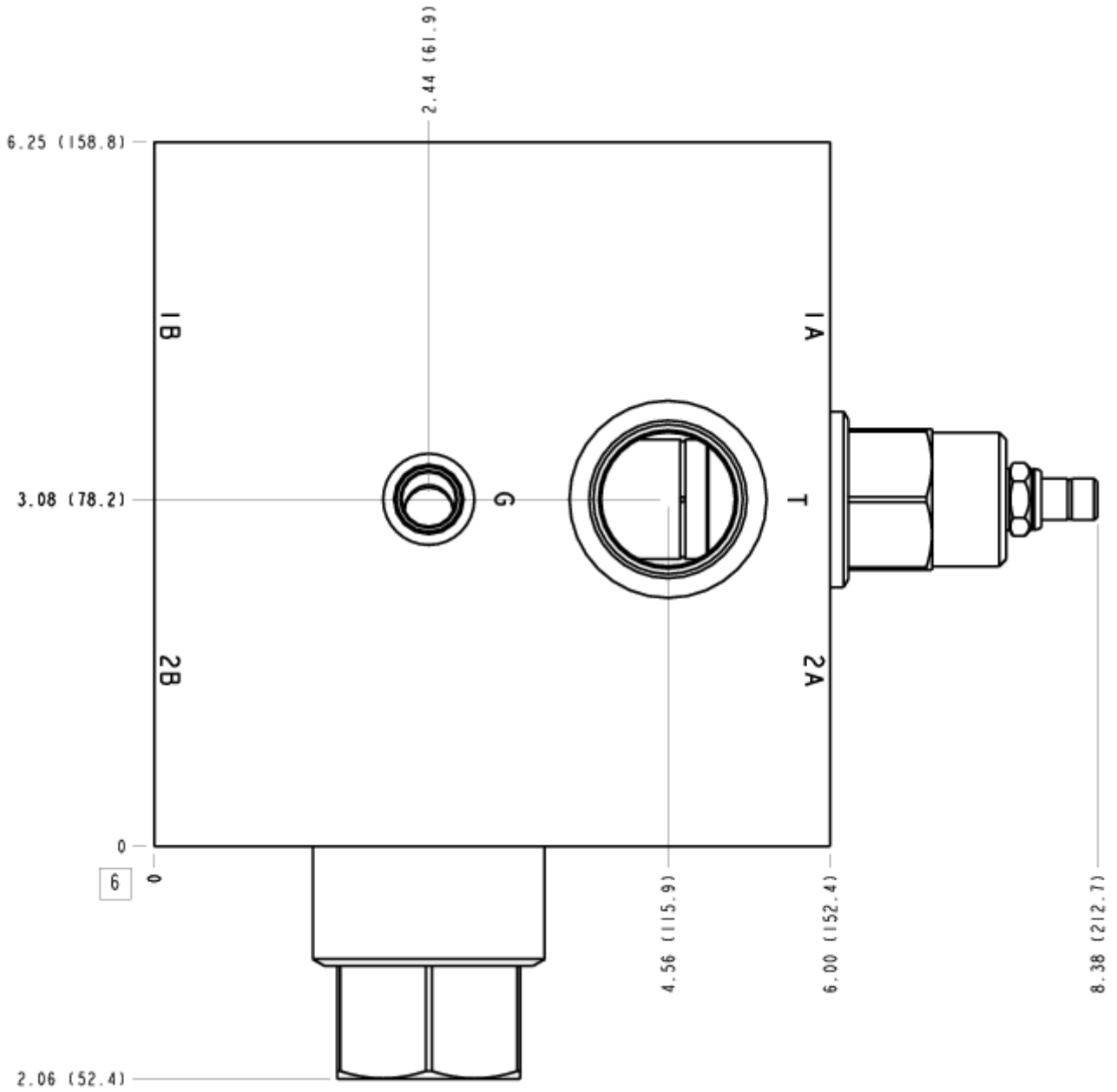
Part	Description	Quantity
DSIHXHN	Cartridge	1
RPICLNN	Cartridge - Primary	1

MANIFOLD FACES

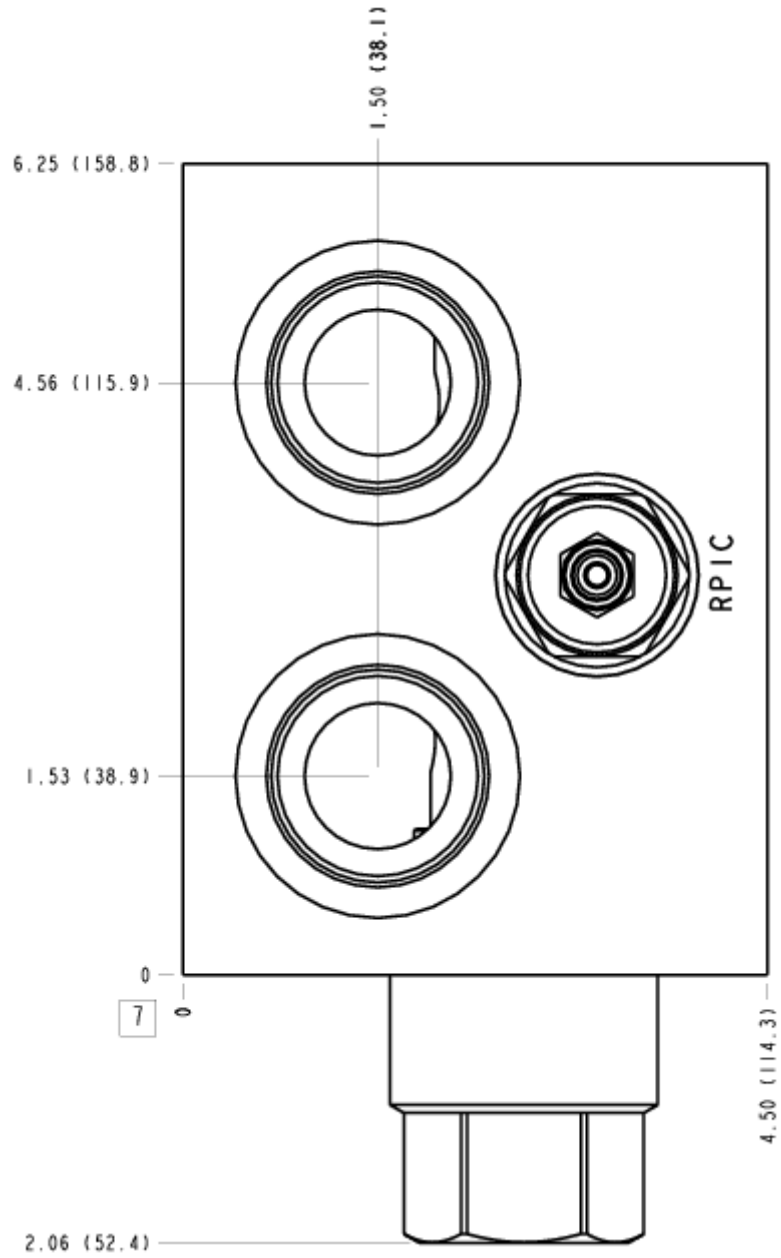
FACE GRID

5	6	7	8
9	10	11	12

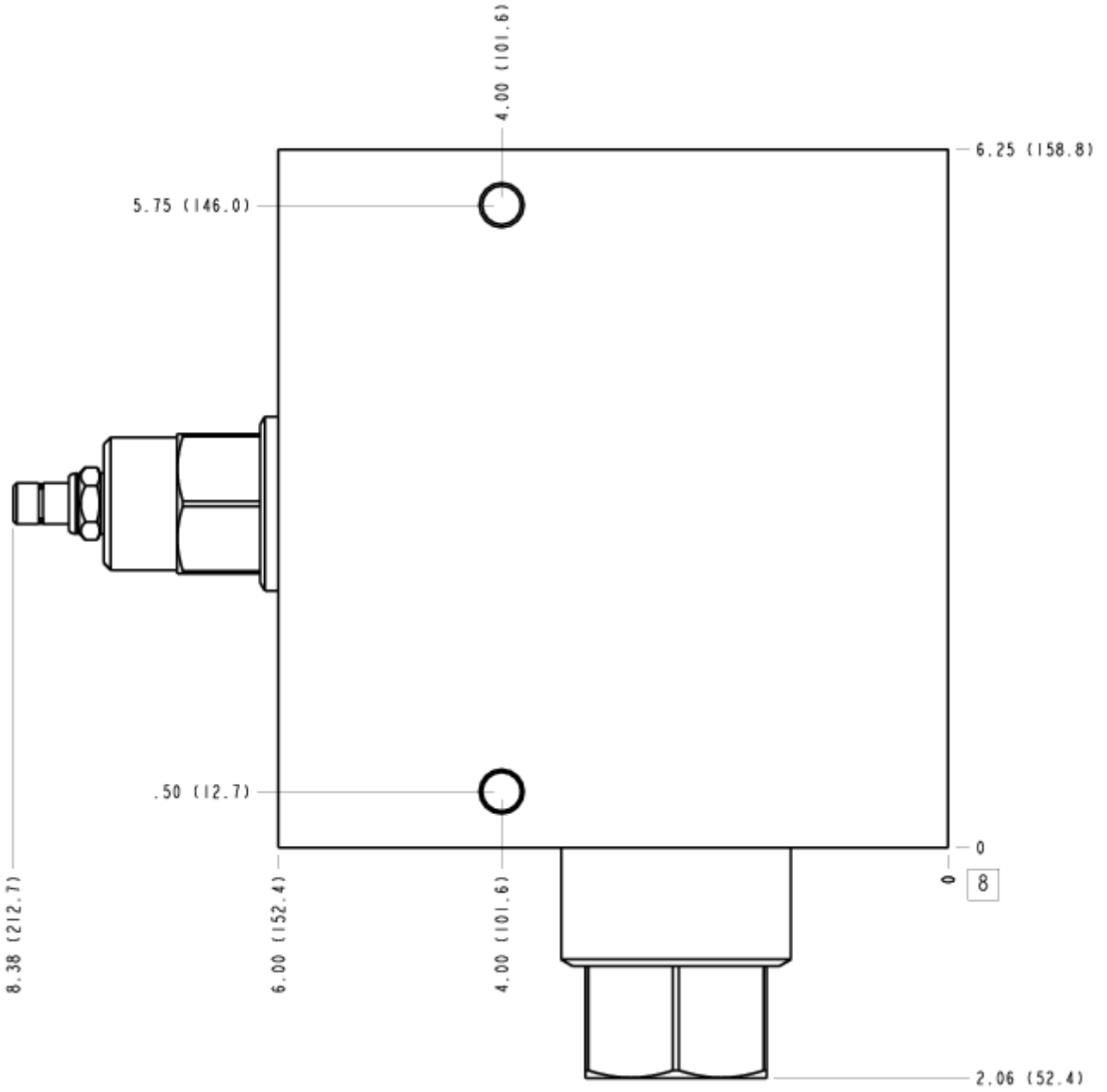
FACE 6



FACE 7



FACE 8



FACE 10

