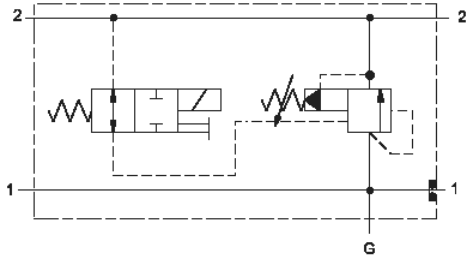
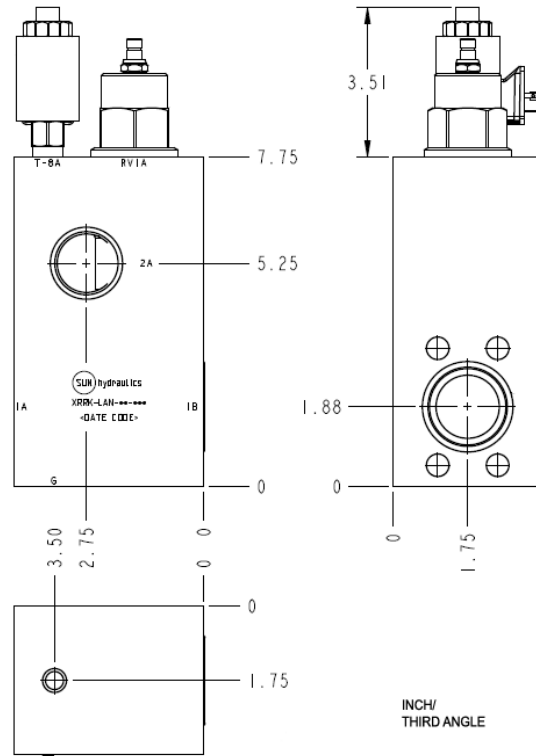


Normally Closed



Normally Open



INCH/  
THIRD ANGLE

**CONFIGURATION OPTIONS**

**Model Code Example: XRRKLANFN912**

CONTROL	(L)	ADJUSTMENT RANGE	(A)	SEAL MATERIAL	(N)
<b>L</b>	Standard Screw Adjustment	<b>A</b>	100 - 3000 psi (7 - 210 bar), 1000 psi (70 bar) Standard Setting	<b>N</b>	Buna-N
<b>C</b>	Tamper Resistant - Factory Set	<b>B</b>	50 - 1500 psi (3,5 - 105 bar), 1000 psi (70 bar) Standard Setting	<b>V</b>	Viton
		<b>C</b>	150 - 6000 psi (10,5 - 420 bar), 1000 psi (70 bar) Standard Setting		
		<b>D</b>	25 - 800 psi (1,7 - 55 bar), 400 psi (28 bar) Standard Setting		
		<b>E</b>	25 - 400 psi (1,7 - 28 bar), 200 psi (14 bar) Standard Setting		
		<b>N</b>	60 - 800 psi (4 - 55 bar), 400 psi (28 bar) Standard Setting		
		<b>W</b>	150 - 4500 psi (10,5 - 315 bar), 1000 psi (70 bar) Standard Setting		

**INCLUDED COMPONENTS**

Part	Description	Quantity
500-001-225*	O-Ring	1
DTAFMHN912	Cartridge	1
RVIALAN	Cartridge - Primary	1