

CONFIGURATION

L	1000 - 4000 psi 4 psi (70 - 280 bar 0.3 bar), 3000 psi (210 bar)
A	Pilot Ratio (4th Letter) of Primary Cartridge: 3:1 (with CBBA primary cartridge, 3:1)
N	Port and Material Designation: Ports VA & VB — SAE 8; Port T — SAE 10; Ports C1 & C2 — SAE 6; Aluminum

TECHNICAL DATA

		NOTE:
		DATA
	2,5 - 12 L/min.	MAY
	10,7 mm	VARY
	Through	BY
	2	

OPTION SELECTION EXAMPLE: YCBILANAJ

(L) (A) (N)

L	A 1000 - 4000 psi 4 psi (70 - 280 bar 0.3), 3000 psi (210 bar)	N V
----------	---	---------------

PRIMARY CARTRIDGE

(A)

A	3:1 (with CBBA primary cartridge, 3:1,)
H	10:1 (with CBBHX primary cartridge, , 10:1,)
G	4.5:1 (with CBBGX primary cartridge, , 4.5:1,)
A	3:1 (with CBBAX primary cartridge, , 3:1,)
H	10:1 (with CBBH primary cartridge, 10:1,)
G	4.5:1 (with CBBG primary cartridge, 4.5:1,)

INCLUDED COMPONENTS

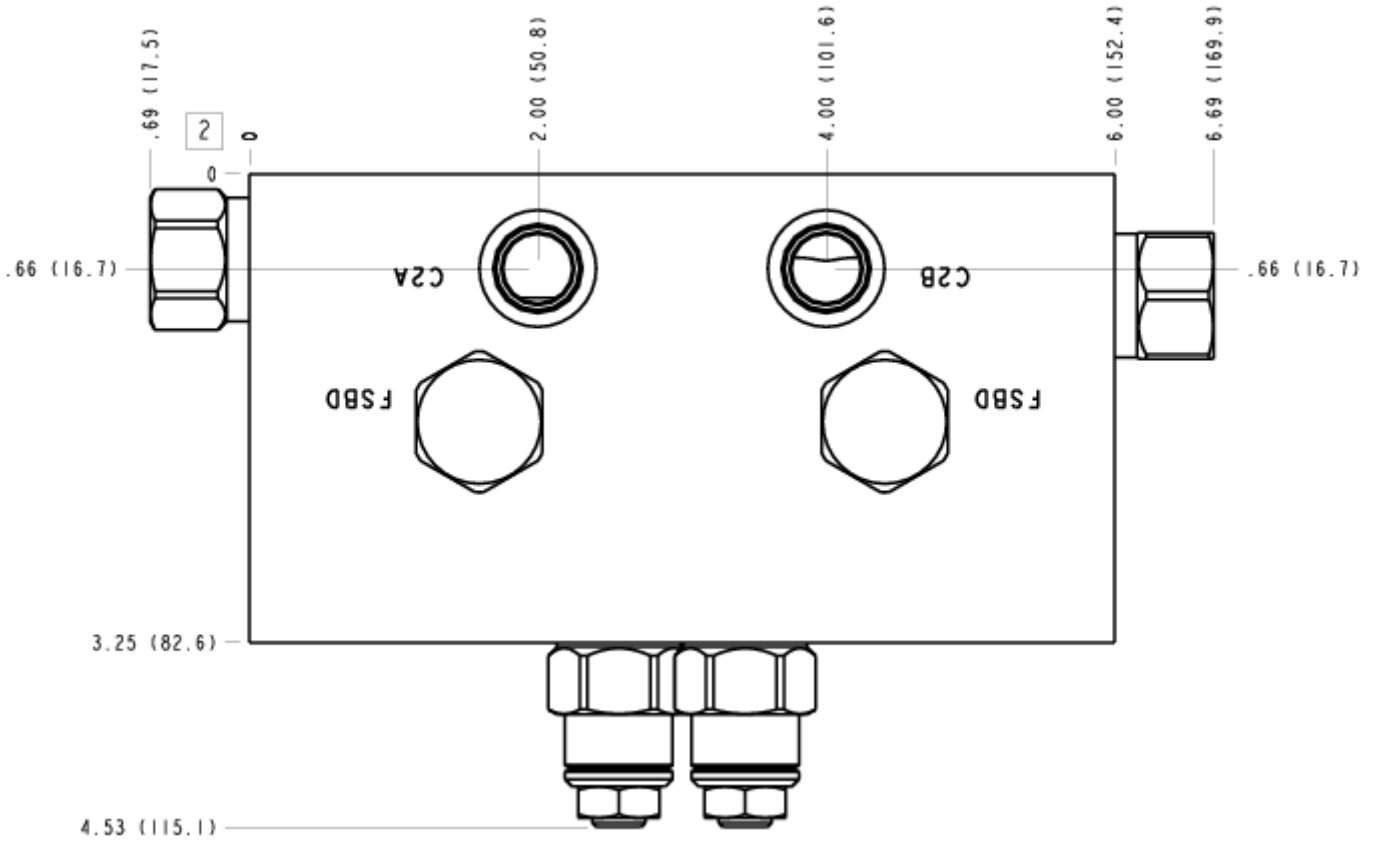
Part	Description	Quantity
CBBALAN	Cartridge - Primary	4
CXCDXCN	Cartridge	4
FSBDXAN	Cartridge	2

MANIFOLD FACES

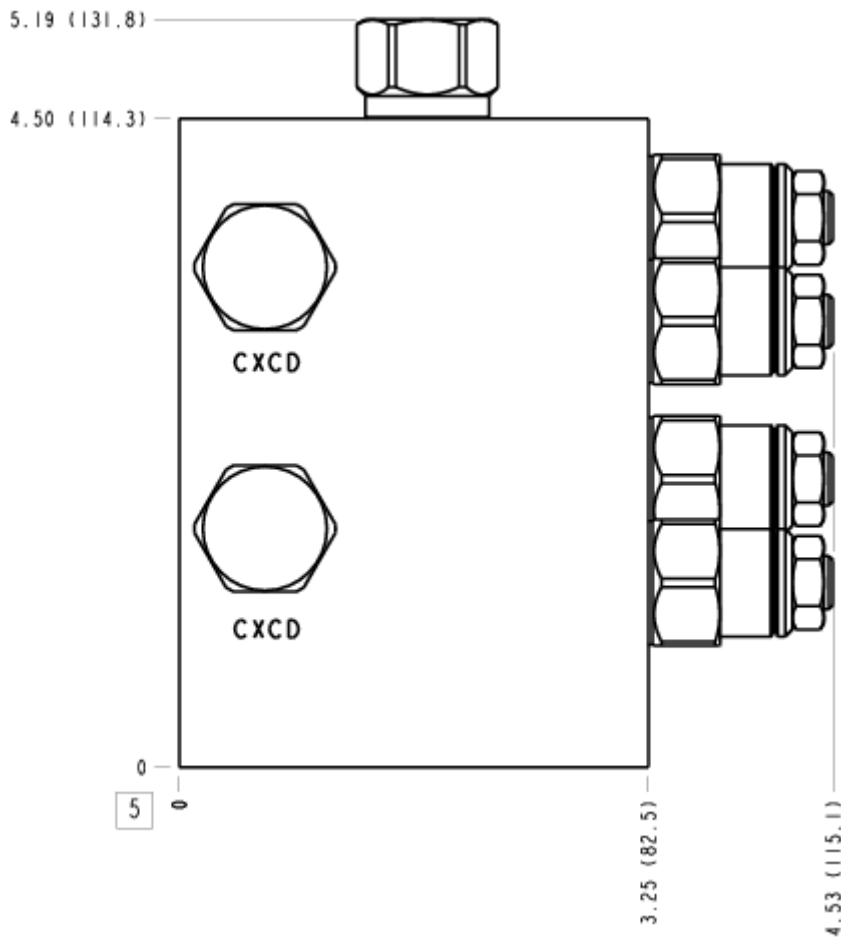
FACE GRID

1	2	3	4
5	6	7	8
9	10	11	12

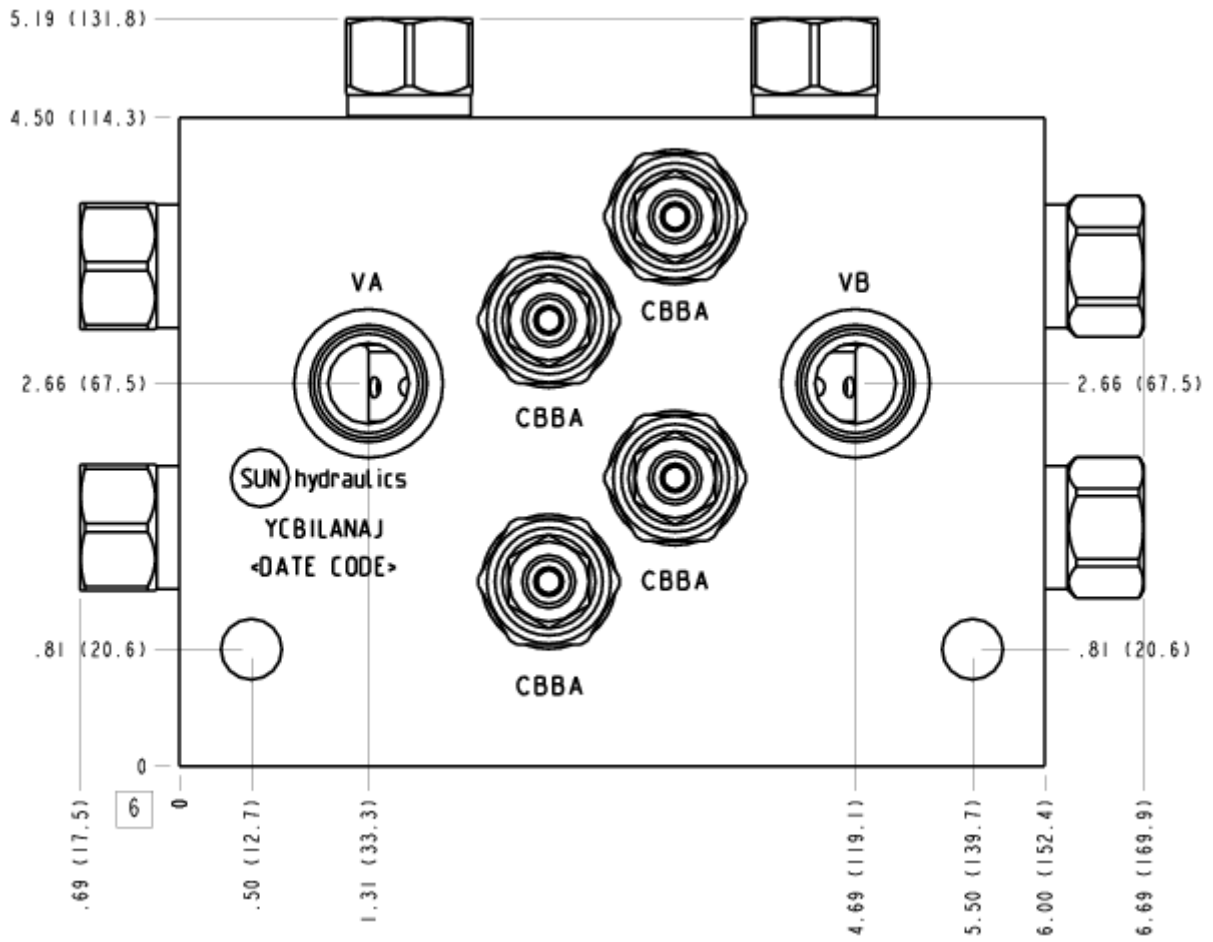
FACE 2



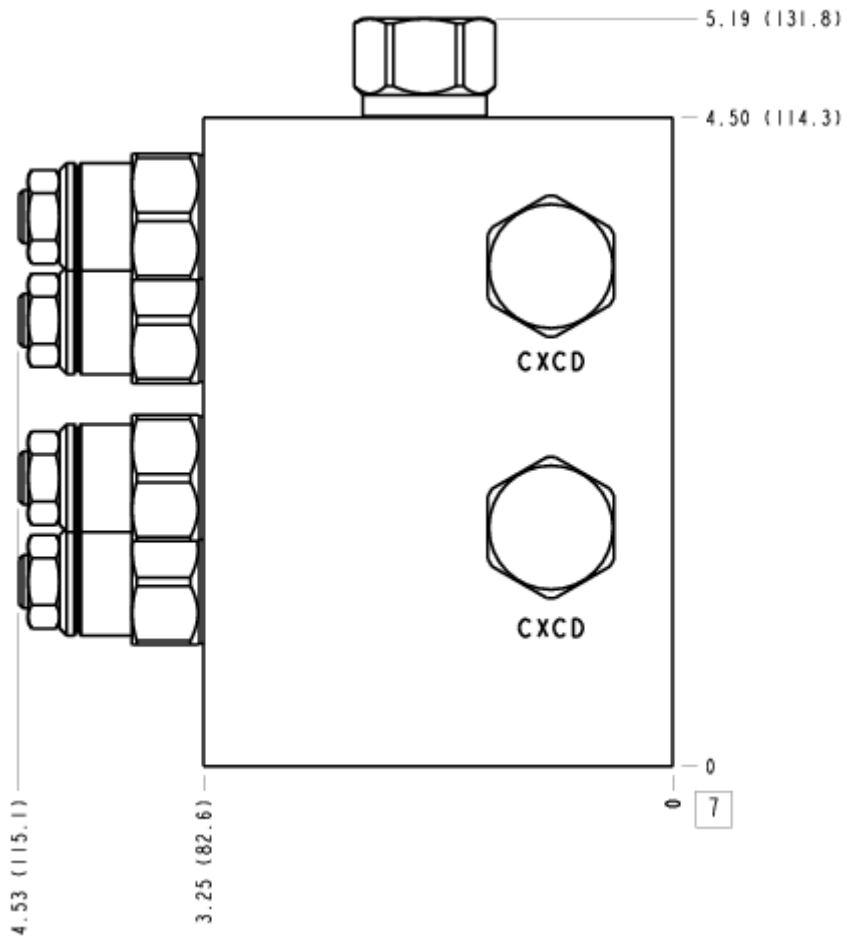
FACE 5



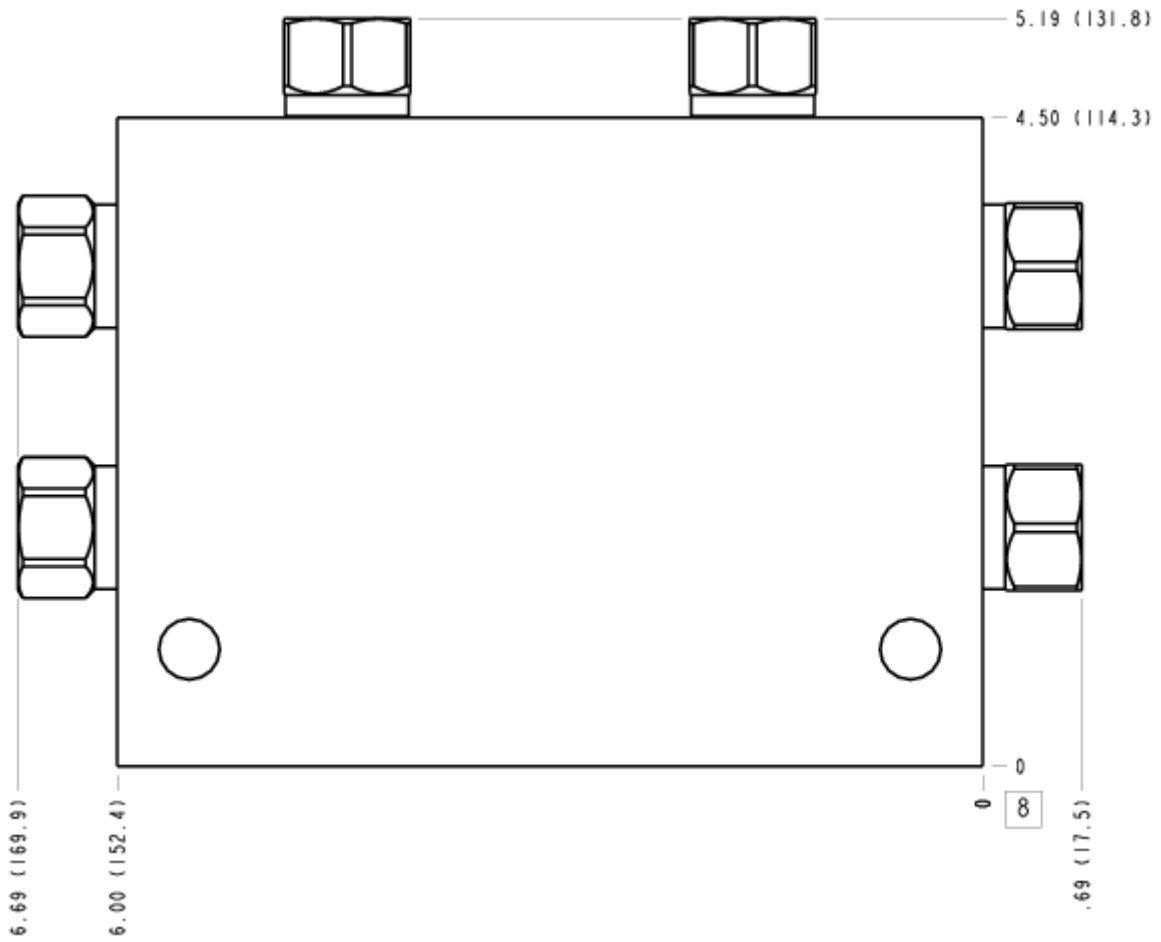
FACE 6



FACE 7



FACE 8



FACE 10

