

TECHNICAL DATA

| | |
|------------------------|-----------------|
| Body Type | Line mount |
| Capacity | 2,5 - 12 L/min. |
| Mounting Hole Diameter | 7,1 mm |
| Mounting Hole Depth | Through |
| Mounting Hole Quantity | 2 |

OPTION SELECTION EXAMPLE: YCCAXCNAJ

| CONTROL | (X) CRACKING PRESSURE | (C) SEAL MATERIAL | (N) |
|--------------------------|---------------------------|-------------------|-----|
| X piloto estándar | C 30 psi (2 bar) | N Buna-N | |
| | D 50 psi (3,5 bar) | V Viton | |
| | E 75 psi (5 bar) | | |
| | F 100 psi (7 bar) | | |

PRIMARY CARTRIDGE (A)

| | |
|----------|--|
| A | A (with CKCB primary cartridge, Anti-retorno con pilotaje para abrir válvula con piloto estándar) |
| A | A (with CKCBV primary cartridge, Anti-retorno venteado con pilotaje para abrir válvula con 1/4 NPTF puerto de piloto externo y piloto estándar) |
| A | A (with KCBS primary cartridge, Anti-retorno venteado con pilotaje para abrir válvula con SAE-4 puerto de piloto externo y piloto estándar) |

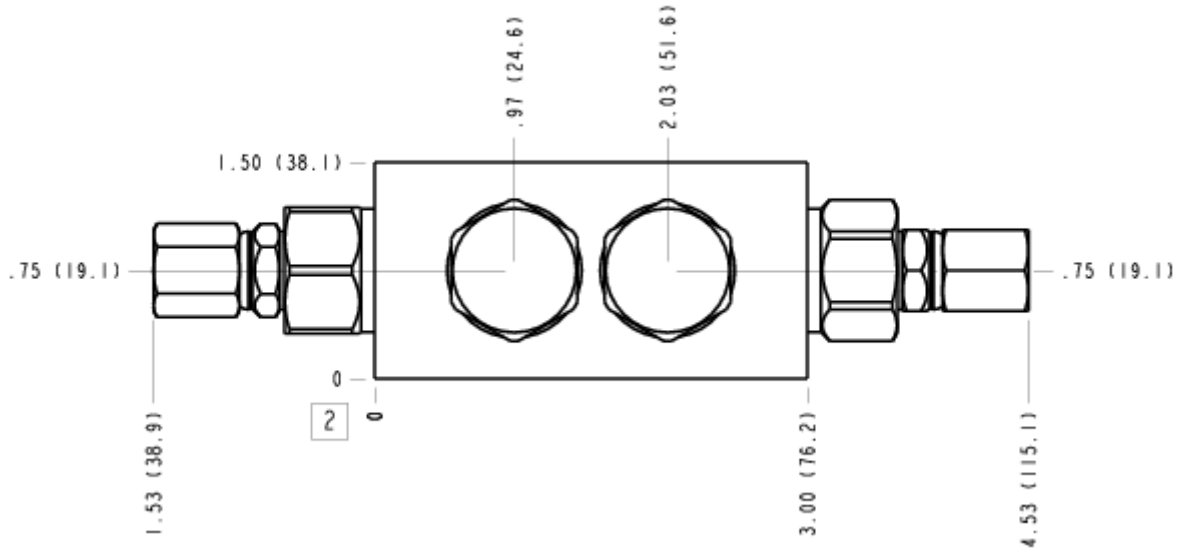
INCLUDED COMPONENTS

| Part | Description | Quantity |
|---------|---------------------|----------|
| CKCBXCN | Cartridge - Primary | 2 |
| RPECJAN | Cartridge | 2 |

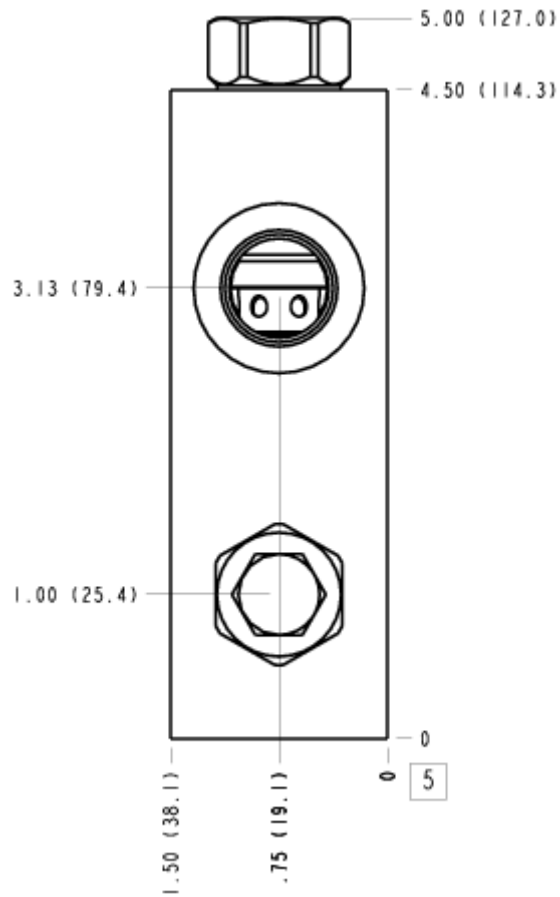
MANIFOLD FACES
FACE GRID

| | | | |
|---|----|----|----|
| 1 | 2 | 3 | 4 |
| 5 | 6 | 7 | 8 |
| 9 | 10 | 11 | 12 |

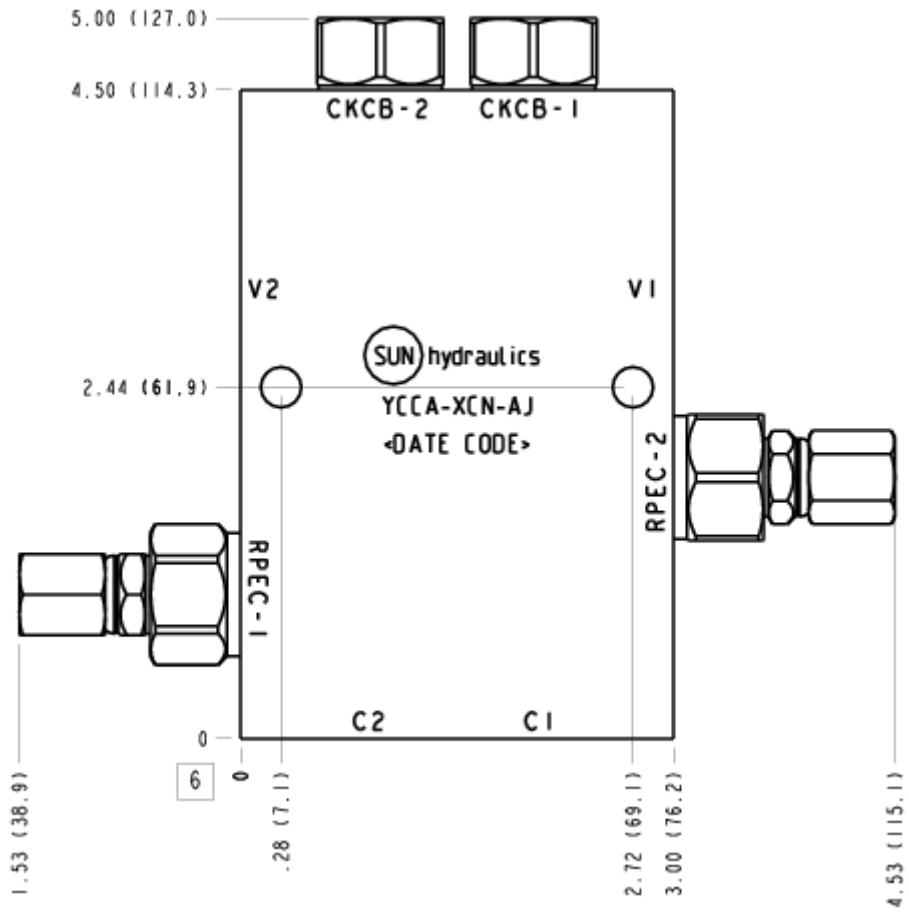
FACE 2



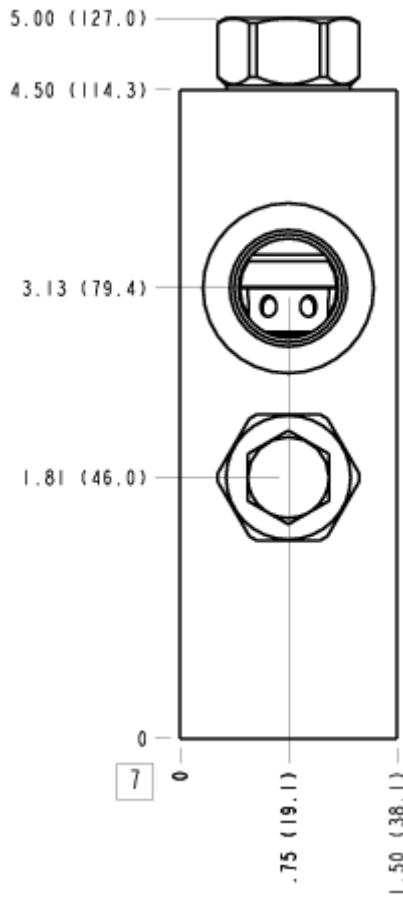
FACE 5



FACE 6



FACE 7



FACE 10

