

TECHNICAL DATA NOTE: DATA MAY VARY BY CONFIGURATION. SEE CONFIGURATION SECTION.

	60 L/min.
	8.6 mm
	Through
	2

OPTION SELECTION EXAMPLE: YCCELHNAK

	(L)	(H)	(N)
L		H 1000 - 4000 psi 25 psi (70 - 280 bar 1.), 3000 psi (210 bar)	N
		A 1000 - 4000 psi 4 psi (70 - 280 bar 0.3 bar), 3000 psi (210 bar)	V

PRIMARY CARTRIDGE

(A)

A	3:1 (with CBCA primary cartridge, 3:1,)
Y	2:1 (with CBCYX primary cartridge, , 2:1,)
H	10:1 (with CBCHX primary cartridge, , 10:1,)
G	4.5:1 (with CBCGX primary cartridge, , 4.5:1,)
A	3:1 (with CBCAX primary cartridge, , 3:1,)
Y	2:1 (with CBCY primary cartridge, 2:1,)
H	10:1 (with CBCH primary cartridge, 10:1,)
G	4.5:1 (with CBCG primary cartridge, 4.5:1,)

INCLUDED COMPONENTS

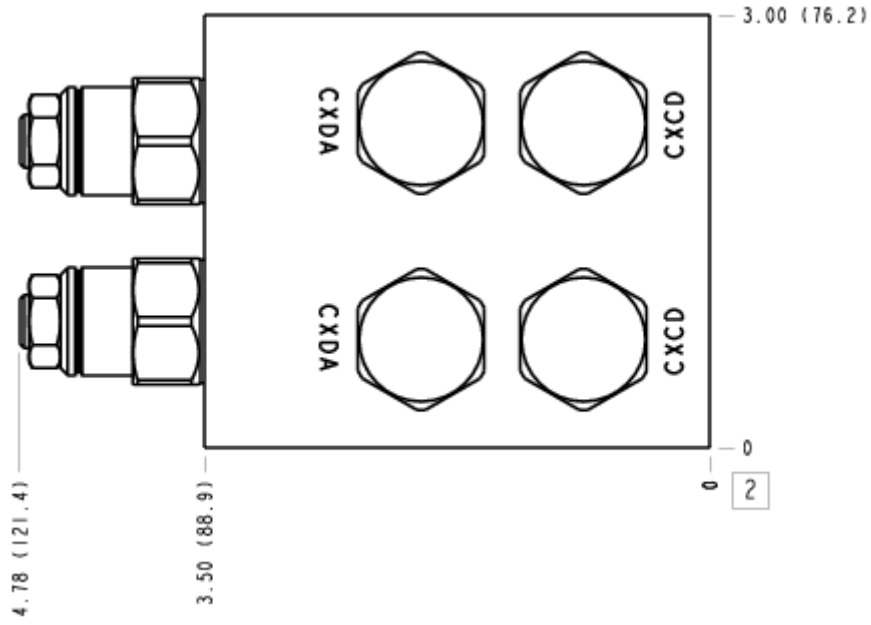
Part	Description	Quantity
CBCALHN	Cartridge - Primary	2
CXCDXAN	Cartridge	2
CXDAXAN	Cartridge	2

MANIFOLD FACES

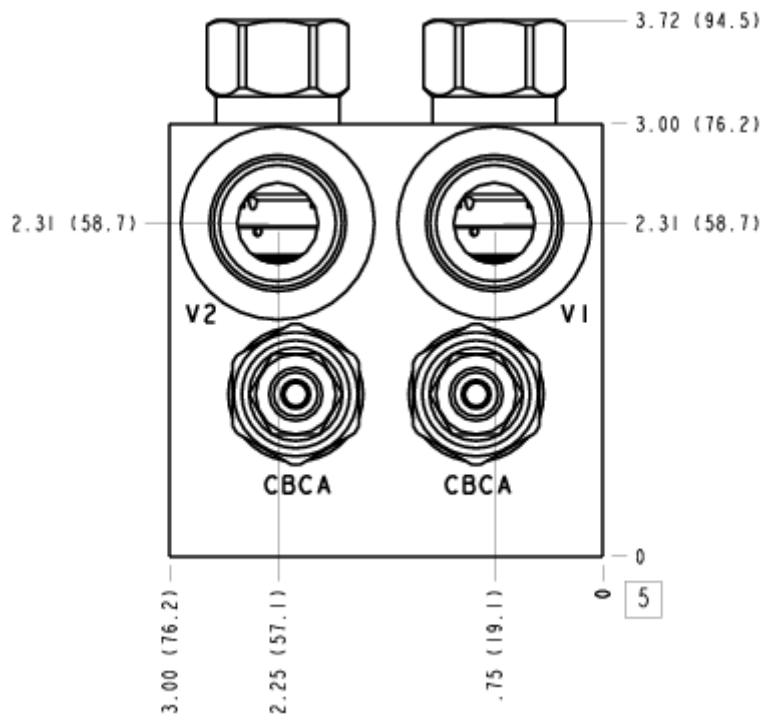
FACE GRID

1	2	3	4
5	6	7	8
9	10	11	12

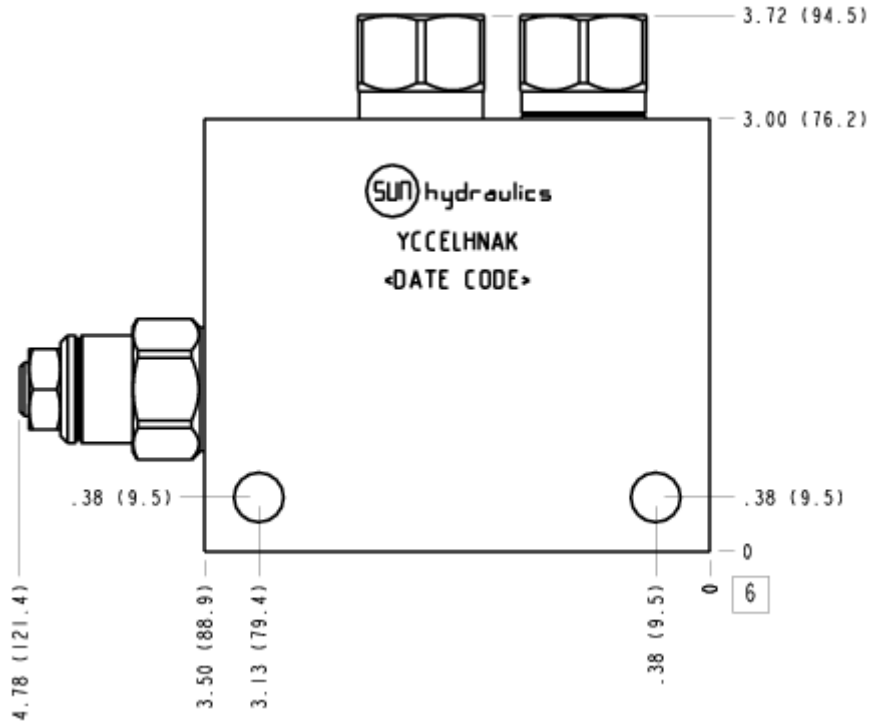
FACE 2



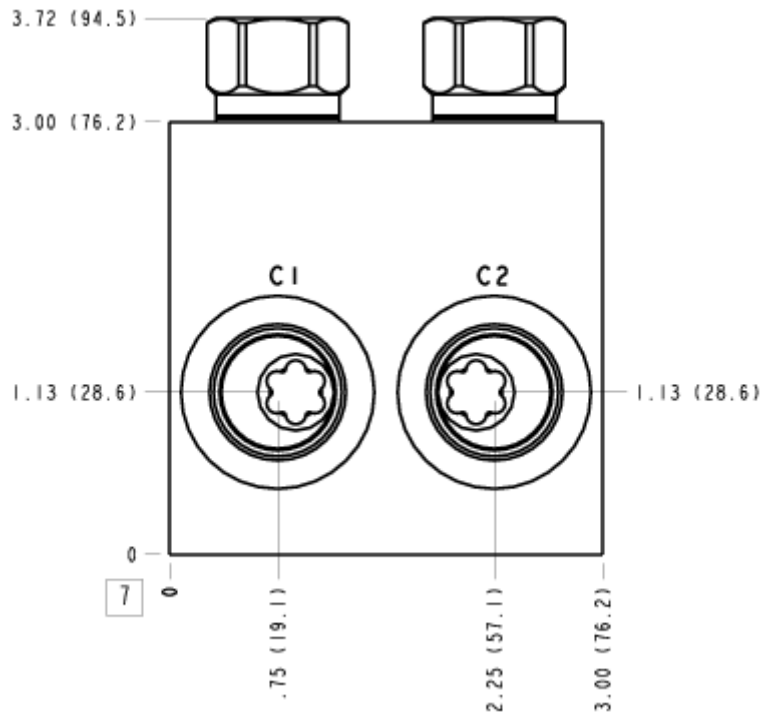
FACE 5



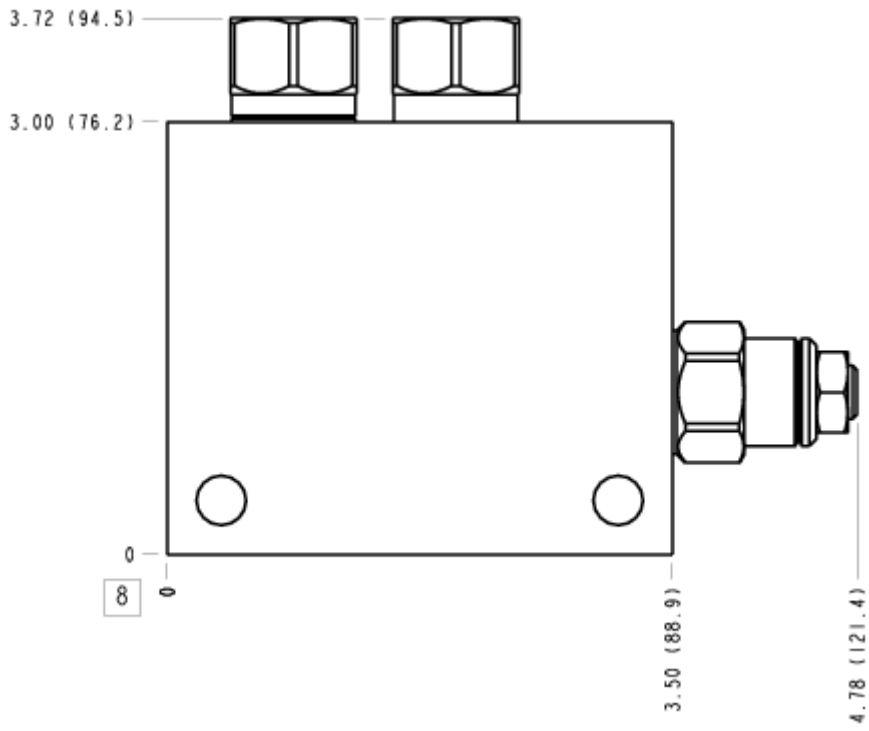
FACE 6



FACE 7



FACE 8



FACE 10

