

TECHNICAL DATA NOTE: DATA MAY VARY BY CONFIGURATION. SEE CONFIGURATION SECTION.

| | |
|--|-----------------------|
| | |
| | Eaton/Char-Lynn H & S |
| | 60 L/min. |

OPTION SELECTION EXAMPLE: YCCXLHNAK

| | (L) | (H) | (N) |
|----------|--|-------------------------|----------|
| L | | | |
| H | 1000 - 4000 psi 25 psi , 3000 psi (210 bar) | (70 - 280 bar 1.7 bar) | N |
| A | 1000 - 4000 psi 4 psi , 3000 psi (210 bar) | (70 - 280 bar 0.3 bar) | V |
| B | 400 - 1500 psi 4 psi 1000 psi (70 bar) | (28 - 105 bar 0.3 bar) | |
| I | 400 - 1500 psi 25 psi , 1000 psi (70 bar) | (28 - 105 bar 1.7 bar) | |

PRIMARY CARTRIDGE

(A)

| | |
|----------|---|
| A | 3:1 (with CBCA primary cartridge, 3:1,) |
| H | 10:1 (with CBCHX primary cartridge, 10:1,) |
| G | 4.5:1 (with CBCGX primary cartridge, 4.5:1,) |
| A | 3:1 (with CBCAX primary cartridge, 3:1,) |
| H | 10:1 (with CBCH primary cartridge, 10:1,) |
| G | 4.5:1 (with CBCG primary cartridge, 4.5:1,) |

INCLUDED COMPONENTS

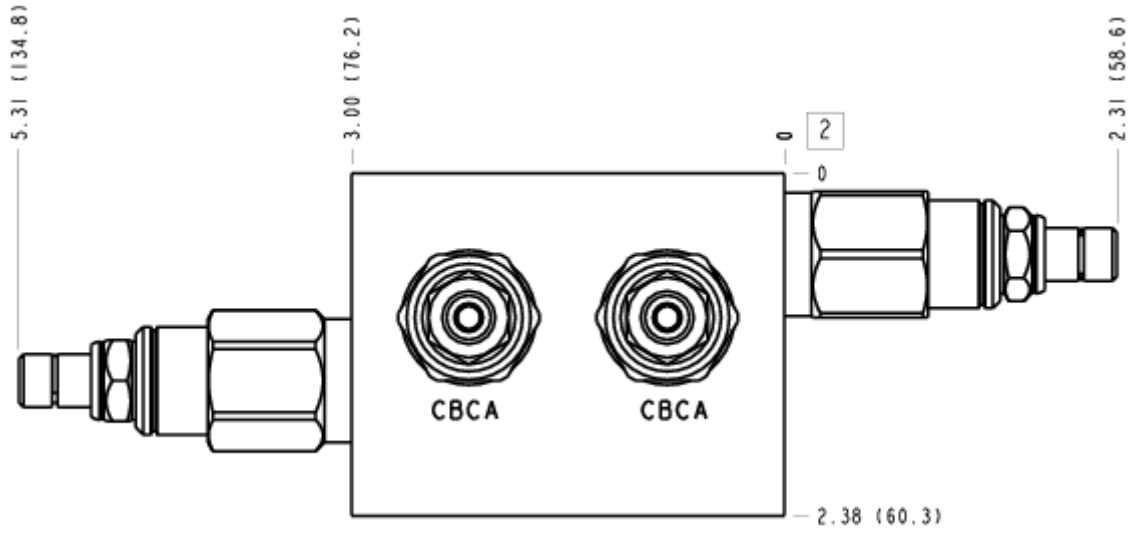
| Part | Description | Quantity |
|---------|---------------------|----------|
| CBCALHN | Cartridge - Primary | 2 |
| RDDALAN | Cartridge | 2 |

MANIFOLD FACES

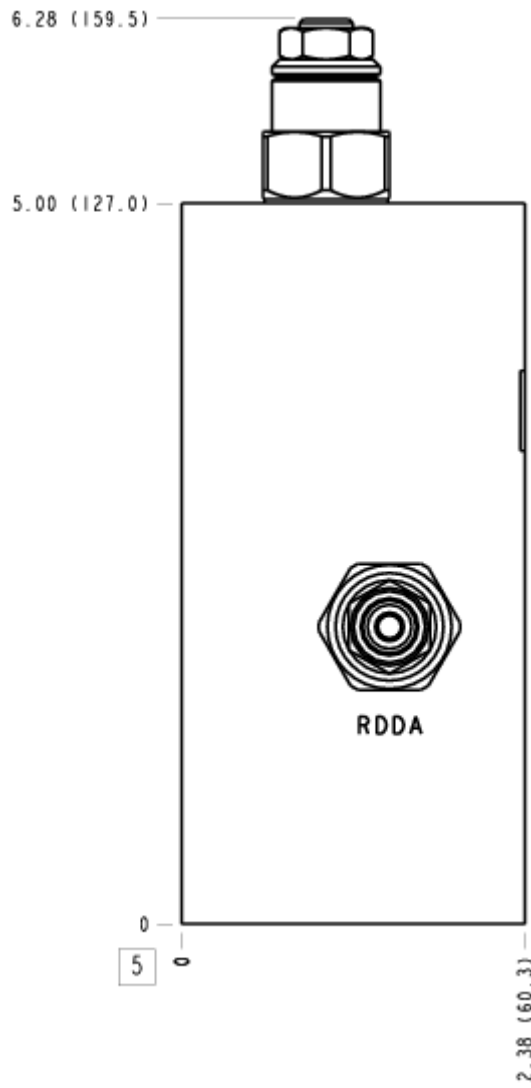
FACE GRID

| | | | |
|---|---|---|---|
| 1 | 2 | 3 | 4 |
| 5 | 6 | 7 | 8 |

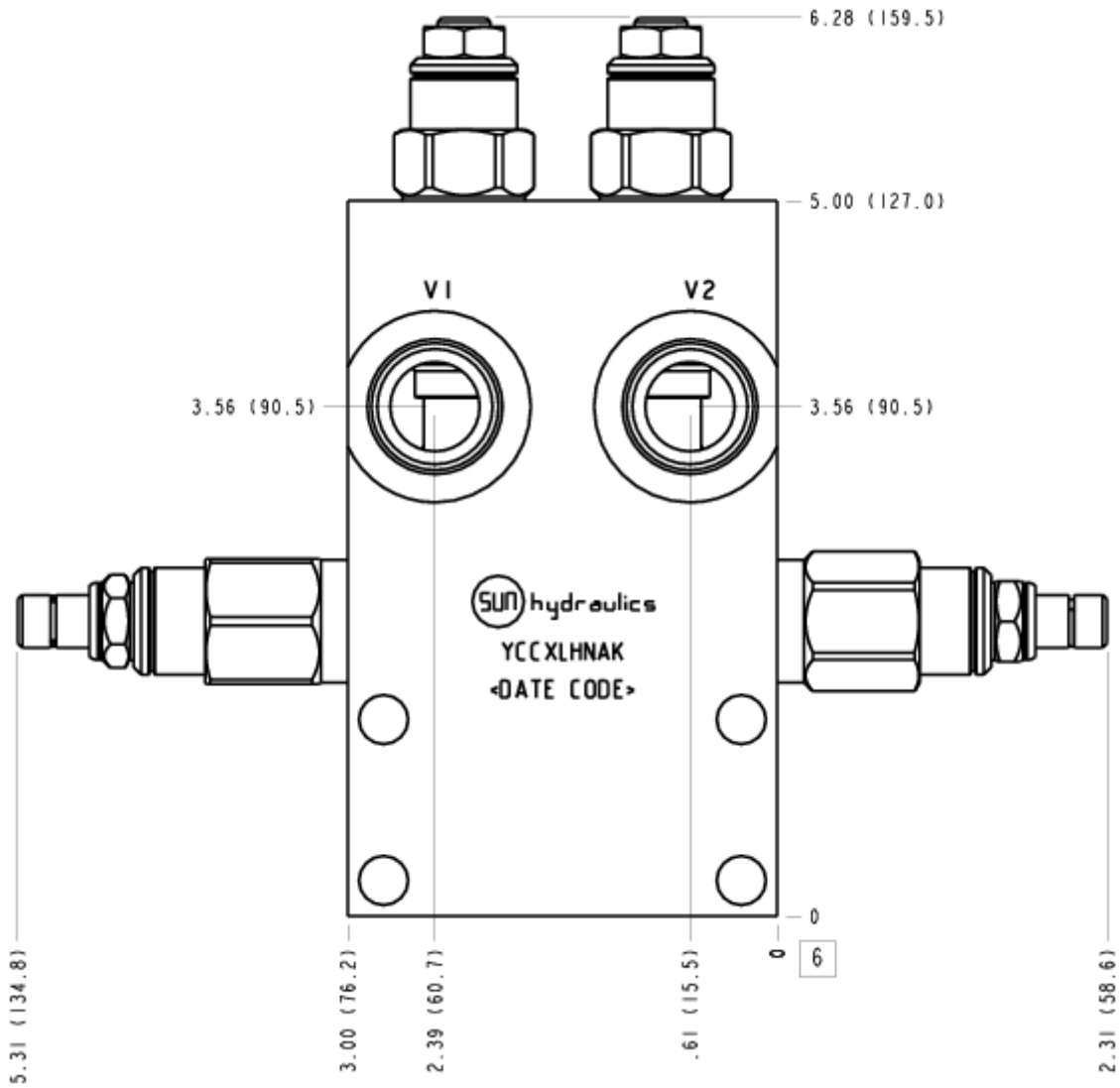
FACE 2



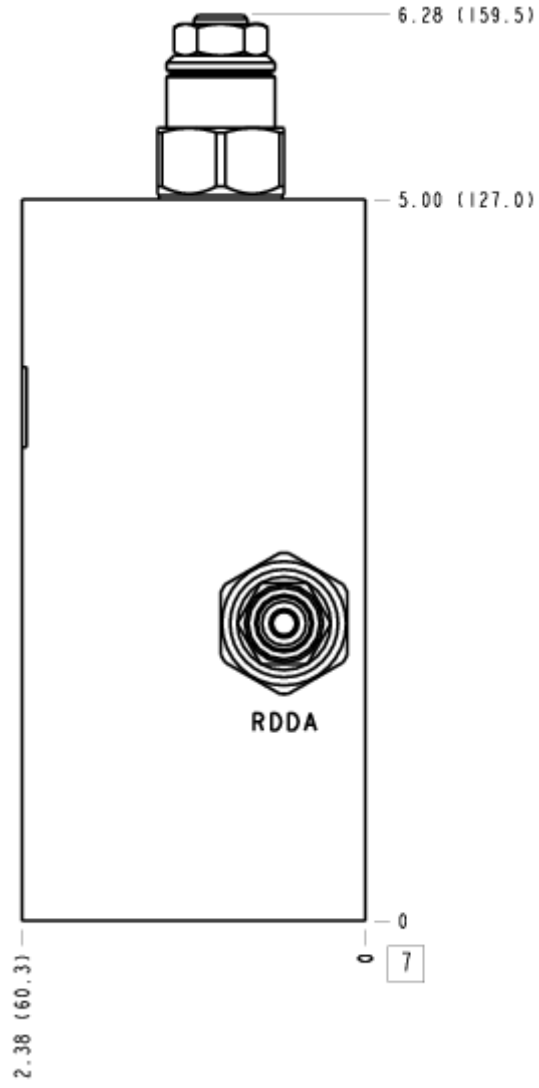
FACE 5



FACE 6



FACE 7



FACE 8

