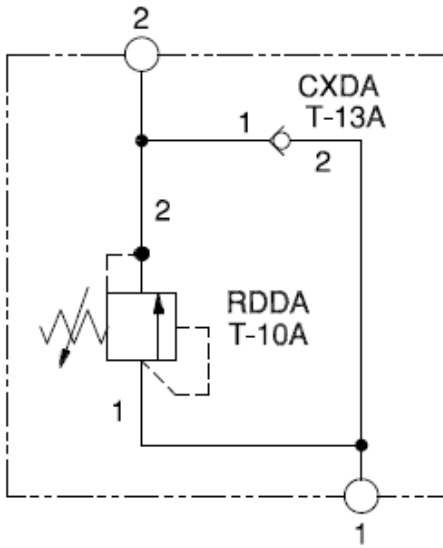




This assembly provides 2 functions. It relieves pressure from (port 1) to (port 2) when pressure at port 1 exceeds the setting of the valve and incorporates a check valve that allows reverse flow from port 2 to port 1.



TECHNICAL DATA NOTE: DATA MAY VARY BY CONFIGURATION. SEE CONFIGURATION SECTION.

Body Type	Line mount
Capacity	25 gpm
Mounting Hole Diameter	.28 in.
Mounting Hole Depth	Through
Mounting Hole Quantity	2

- NOTES:**
- **Important:** Carefully consider the maximum system pressure. The pressure rating of the manifold is dependent on the manifold material, with the port type/size a secondary consideration. Manifolds constructed of aluminum are not rated for pressures higher than 3000 psi (210 bar), regardless of the port type/size specified.
 - For detailed information regarding the cartridges contained in this assembly, click on the models codes shown in the Included Components tab.

OPTION SELECTION EXAMPLE: YCDELACANN

CONTROL	(L)	ADJUSTMENT RANGE	(A)	ADJUSTMENT RANGE	(A)	SEAL MATERIAL	(N)	SEAL MATERIAL	(N)
L Standard Screw Adjustment		A 500 - 3000 psi (35 - 210 bar), 1000 psi (70 bar) Standard Setting		A 500 - 3000 psi (35 - 210 bar)		N Buna-N		N Buna-N	
C Tamper Resistant - Factory Set		C 1000 - 6000 psi (70 - 420 bar), 1000 psi (70 bar) Standard Setting		C 1000 - 6000 psi (70 - 420 bar)		V Viton		V Viton	
K Handknob				D 200 - 800 psi (14 - 55 bar)					
W Hex Wrench Adjustment		D 200 - 800 psi (14 - 55 bar), 400 psi (28 bar) Standard Setting							
Y Tri-Grip Handknob		E 100 - 400 psi (7 - 28 bar), 200 psi (14 bar) Standard Setting							
		S 50 - 200 psi (3,5 - 14 bar), 100 psi (7 bar) Standard Setting							
		W 800 - 4500 psi (55 - 315 bar), 1000 psi (70 bar) Standard Setting							