

**TECHNICAL DATA** NOTE: DATA MAY VARY BY CONFIGURATION. SEE CONFIGURATION SECTION.

	120 L/min.
	10,4 mm
	Through
	2

**OPTION SELECTION EXAMPLE: YCEDLHNAL**

	(L)	(H)	(N)
<b>L</b>			
<b>C</b>	-		
<b>H</b>		1000 - 4000 psi 25 psi (70 - 280 bar 1. ), 3000 psi (210 bar)	
<b>A</b>		1000 - 4000 psi 4 psi (70 - 280 bar 0.3 bar ), 3000 psi (210 bar)	
<b>N</b>			V

**PRIMARY CARTRIDGE**

(A)

<b>A</b>	3:1 (with CBEA primary cartridge, 3:1, )
<b>H</b>	10:1 (with CBEHX primary cartridge, )
<b>G</b>	4.5:1 (with CBEGX primary cartridge, , 4.5:1, )
<b>A</b>	3:1 (with CBEAX primary cartridge, , 3:1, )
<b>H</b>	10:1 (with CBEH primary cartridge, 10:1, )
<b>G</b>	4.5:1 (with CBEG primary cartridge, 4.5:1, )

**INCLUDED COMPONENTS**

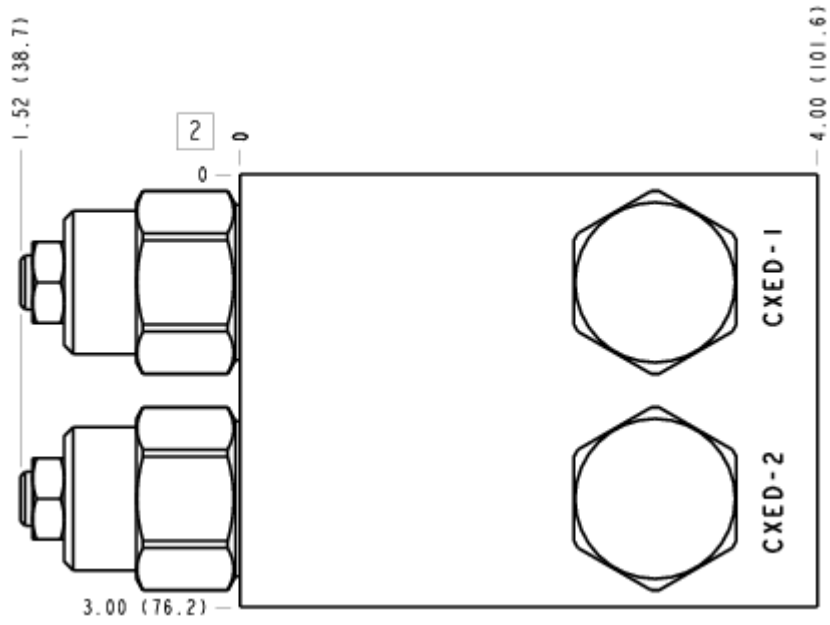
Part	Description	Quantity
CBEALHN	Cartridge - Primary	2
CXEDXCN	Cartridge	2

**MANIFOLD FACES**

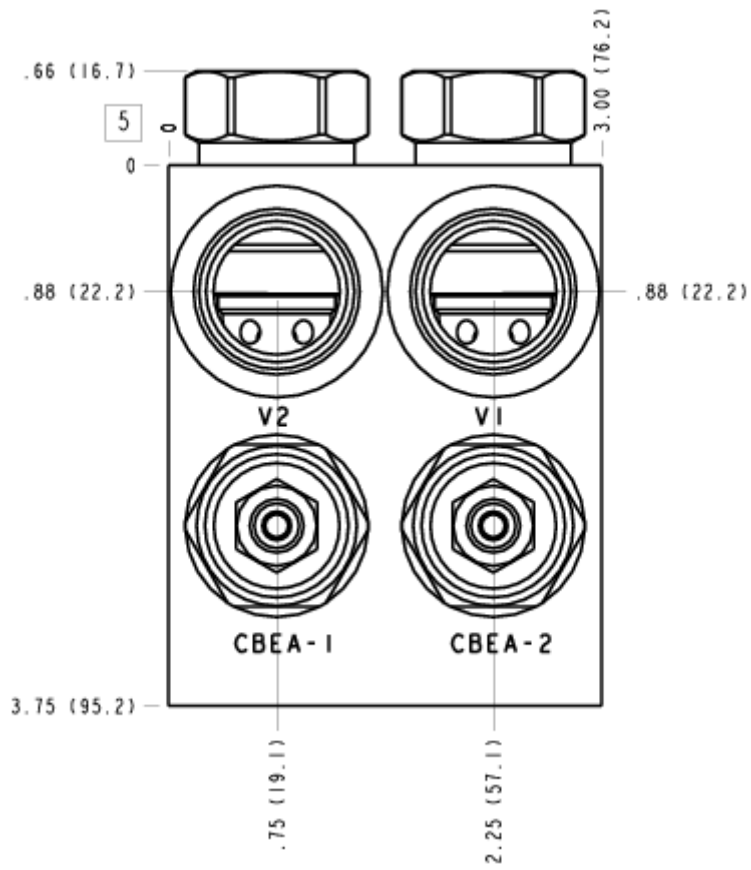
**FACE GRID**

1	2	3	4
5	6	7	8
9	10	11	12

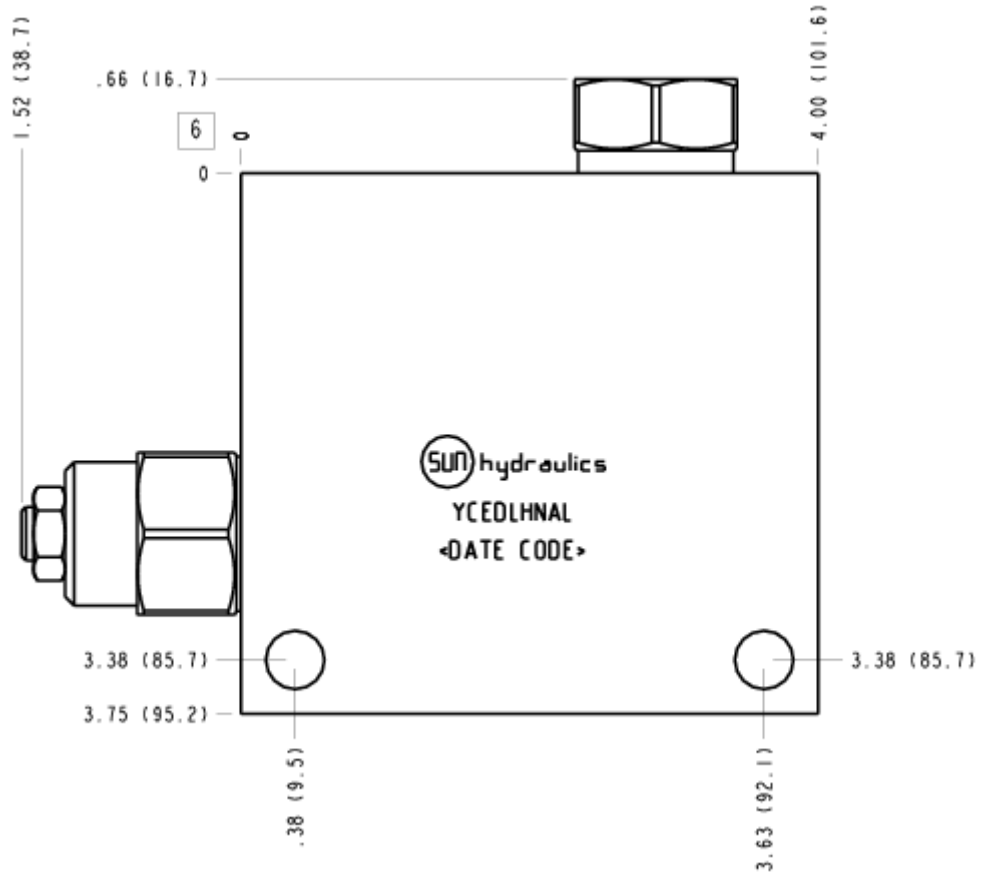
## FACE 2



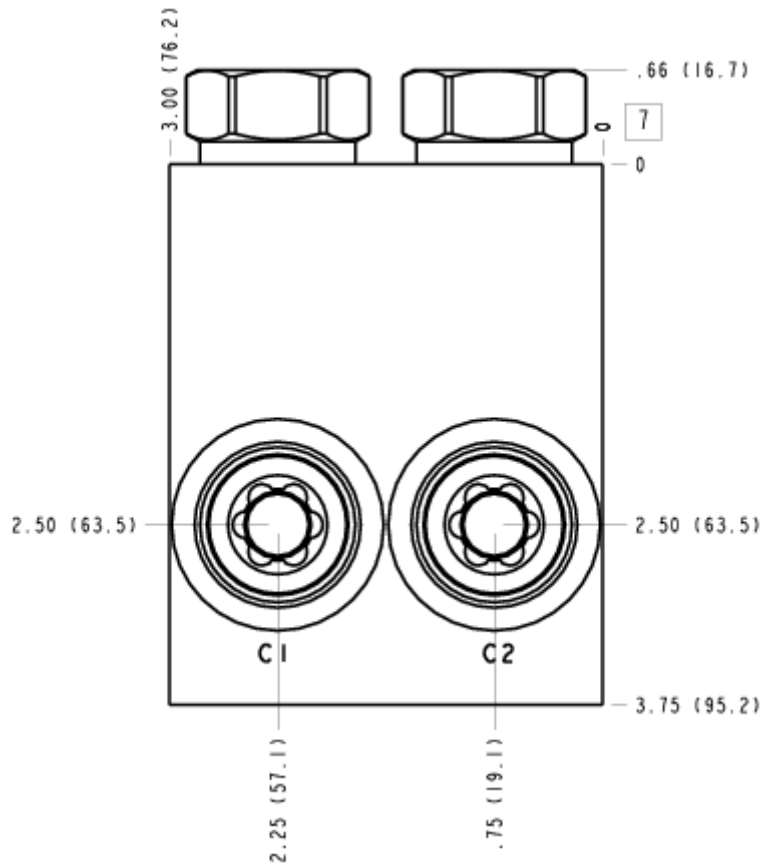
## FACE 5



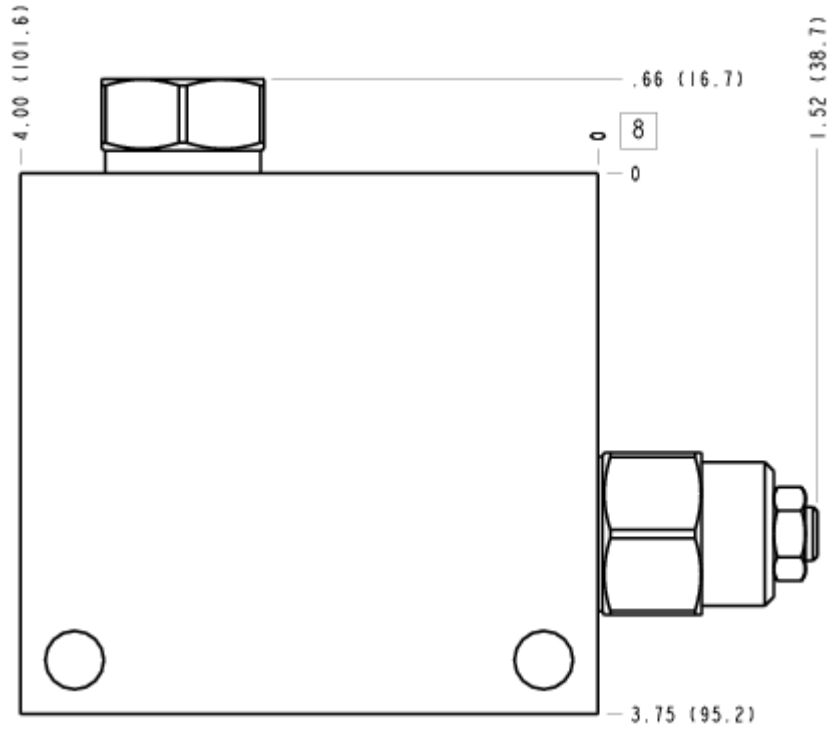
### FACE 6



### FACE 7



### FACE 8



### FACE 10

