

This valve assembly provides overrunning load-control, load-port relief protection, supplies make-up oil, and flushes hot dirty oil out of the actuator. All oil coming out of the actuator returns to tank through port T.

TECHNICAL DATA NOTE: DATA MAY VARY BY CONFIGURATION. SEE CONFIGURATION SECTION.

Body Type	Line mount
Capacity	30 gpm
Mounting Hole Diameter	.41 in.
Mounting Hole Depth	Through
Mounting Hole Quantity	2

- NOTES:**
- **Important:** Carefully consider the maximum system pressure. The pressure rating of the manifold is dependent on the manifold material, with the port type/size a secondary consideration. Manifolds constructed of aluminum are not rated for pressures higher than 3000 psi (210 bar), regardless of the port type/size specified.
 - For detailed information regarding the cartridges contained in this assembly, click on the models codes shown in the Included Components tab.

OPTION SELECTION EXAMPLE: YCEPLHNL

CONTROL	(L) FUNCTIONAL SETTING RANGE	(H) SEAL MATERIAL	(N)
L Standard Screw Adjustment	H 1000 - 4000 psi w/25 psi Check (70 - 280 bar w/ 1,7 bar Check), 3000 psi (210 bar) Standard Setting	N Buna-N	
	A 1000 - 4000 psi w/4 psi Check (70 - 280 bar w/ 0,3 bar Check), 3000 psi (210 bar) Standard Setting	V Viton	
	B 400 - 1500 psi w/4 psi Check (28 - 105 bar w/ 0,3 bar Check), 1000 psi (70 bar) Standard Setting		
	I 400 - 1500 psi w/25 psi Check (28 - 105 bar w/ 1,7 bar Check), 1000 psi (70 bar) Standard Setting		

PRIMARY CARTRIDGE (A)

A	3:1 (with CBEA primary cartridge, 3:1 pilot ratio, standard capacity counterbalance valve)
H	10:1 (with CBEHX primary cartridge,)
Y	2:1 (with CBEYX primary cartridge, Fixed setting, 2:1 pilot ratio, standard capacity counterbalance valve)
G	4.5:1 (with CBEGX primary cartridge, Fixed setting, 4.5:1 pilot ratio, standard capacity counterbalance valve)
A	3:1 (with CBEAX primary cartridge, Fixed setting, 3:1 pilot ratio, standard capacity counterbalance valve)
Y	2:1 (with CBEY primary cartridge, 2:1 pilot ratio, standard capacity counterbalance valve)
H	10:1 (with CBEH primary cartridge, 10:1 pilot ratio, standard capacity counterbalance valve)
G	4.5:1 (with CBEG primary cartridge, 4.5:1 pilot ratio, standard capacity counterbalance valve)

INCLUDED COMPONENTS

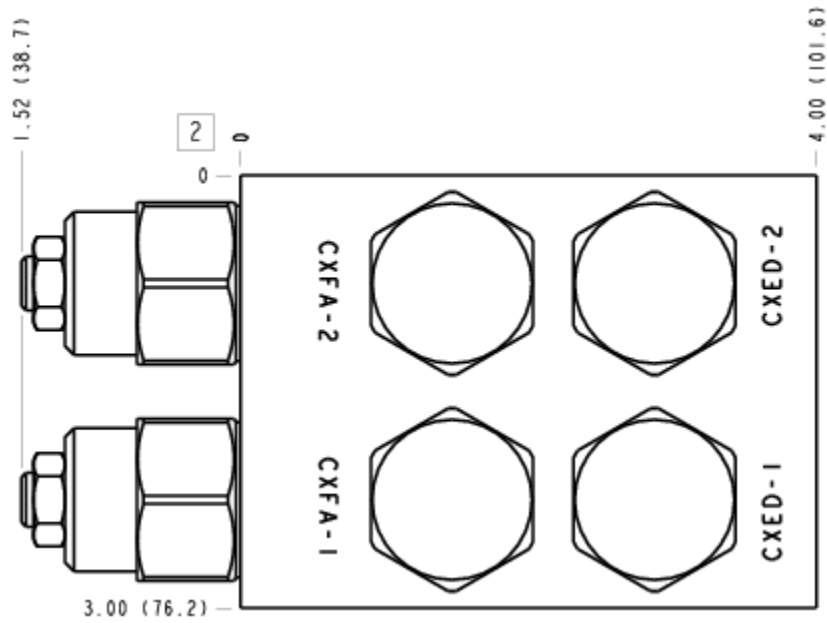
Part	Description	Quantity
CBEALHN	Cartridge - Primary	2
CXEDXAN	Cartridge	2
CXFAXAN	Cartridge	2

MANIFOLD FACES

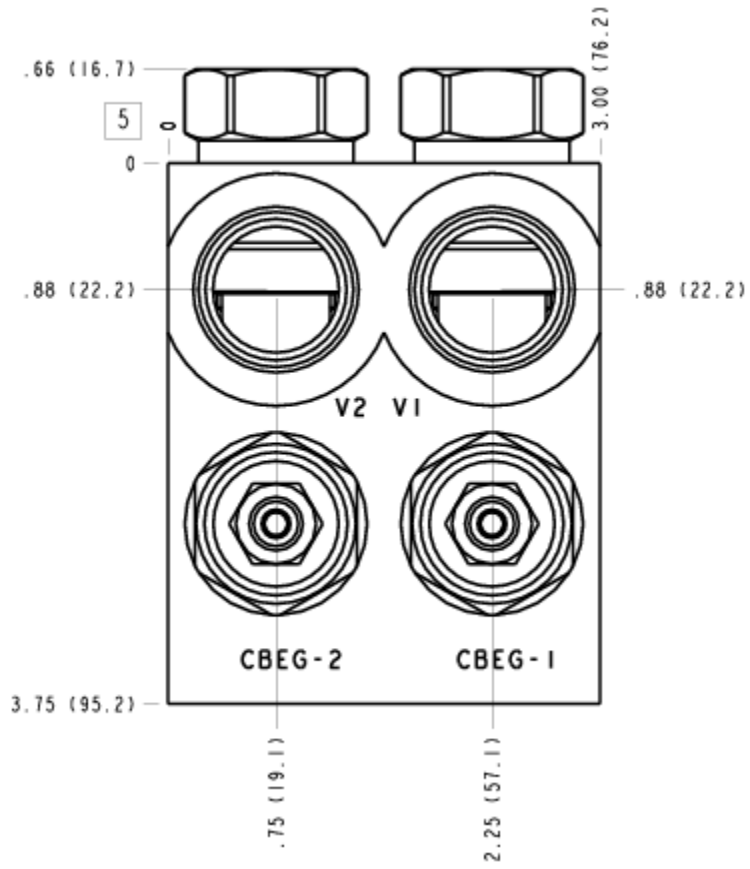
FACE GRID

1	2	3	4
5	6	7	8
9	10	11	12

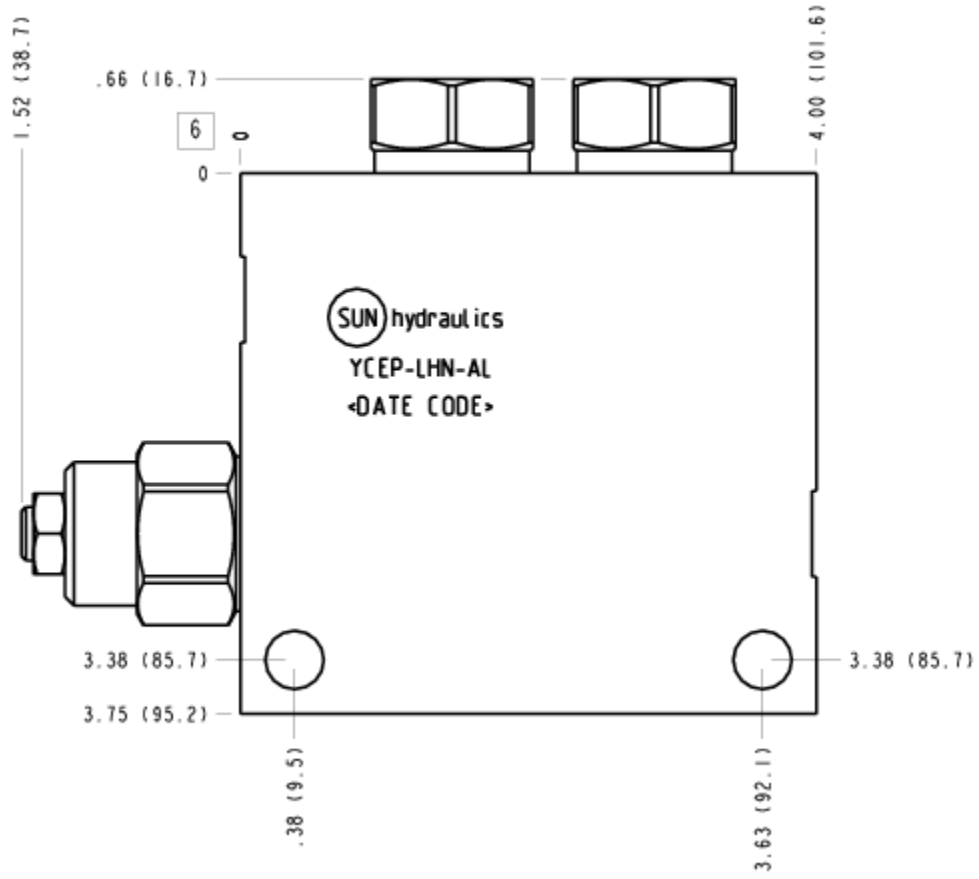
FACE 2



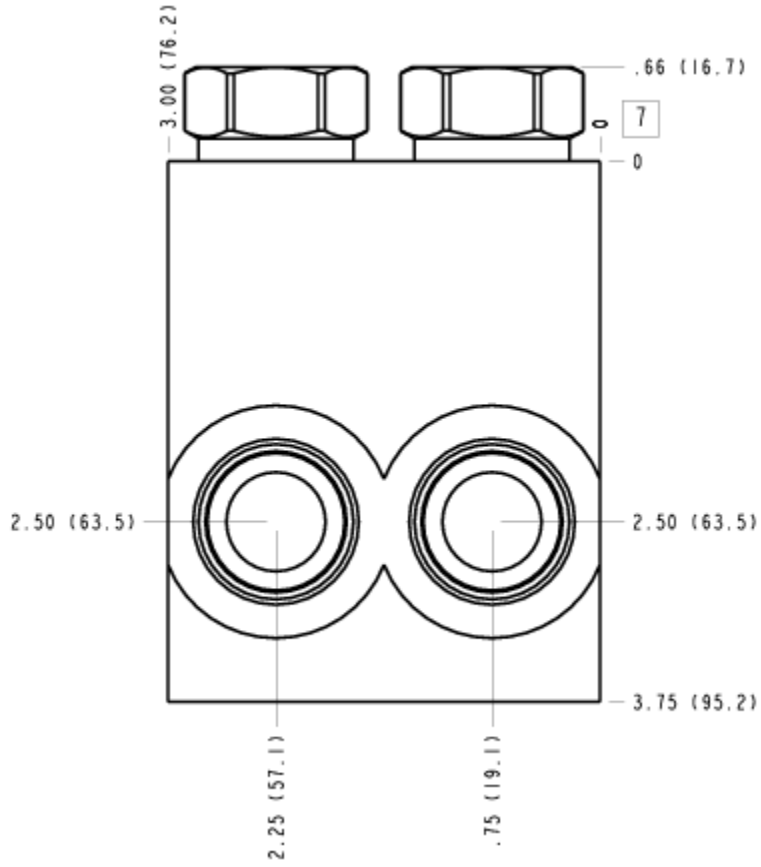
FACE 5



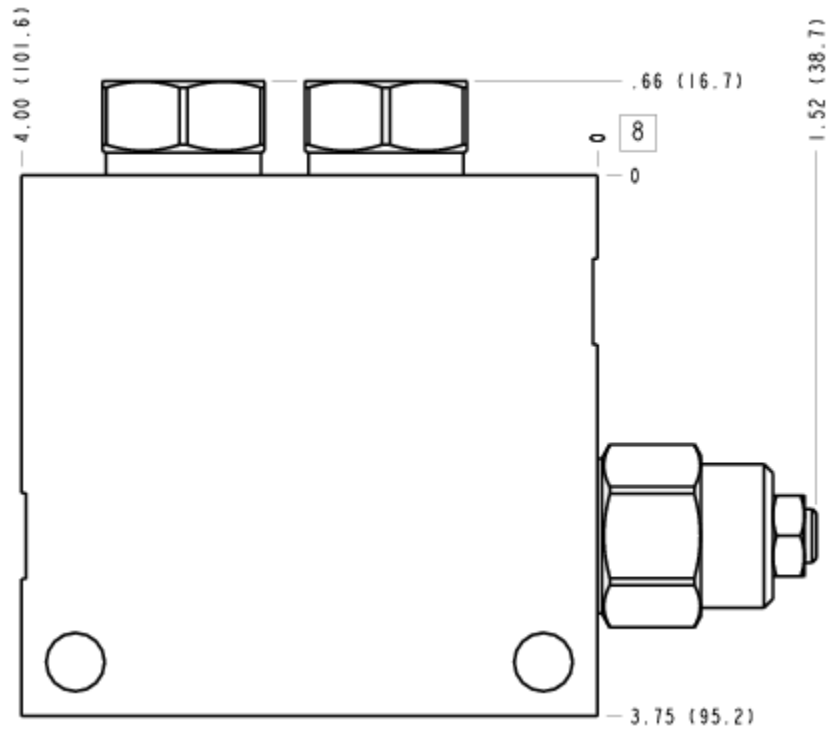
FACE 6



FACE 7



FACE 8



FACE 10

