

TECHNICAL DATA NOTE: DATA MAY VARY BY CONFIGURATION. SEE CONFIGURATION SECTION.

	120 L/min.
	10,4 mm
	Through
	2

OPTION SELECTION EXAMPLE: YCEPLHNL

	(L)	(H)	(N)
L			
C	-		
H		1000 - 4000 psi 25 psi (70 - 280 bar 1.) , 3000 psi (210 bar)	N
			V
A		1000 - 4000 psi 4 psi (70 - 280 bar 0.3 bar) , 3000 psi (210 bar)	

PRIMARY CARTRIDGE

(A)

A	3:1 (with CBEA primary cartridge, 3:1,)
H	10:1 (with CBEHX primary cartridge,)
Y	2:1 (with CBEYX primary cartridge, , 2:1,)
G	4.5:1 (with CBEGX primary cartridge, , 4.5:1,)
A	3:1 (with CBEAX primary cartridge, , 3:1,)
Y	2:1 (with CBEY primary cartridge, 2:1,)
H	10:1 (with CBEH primary cartridge, 10:1,)
G	4.5:1 (with CBEG primary cartridge, 4.5:1,)

INCLUDED COMPONENTS

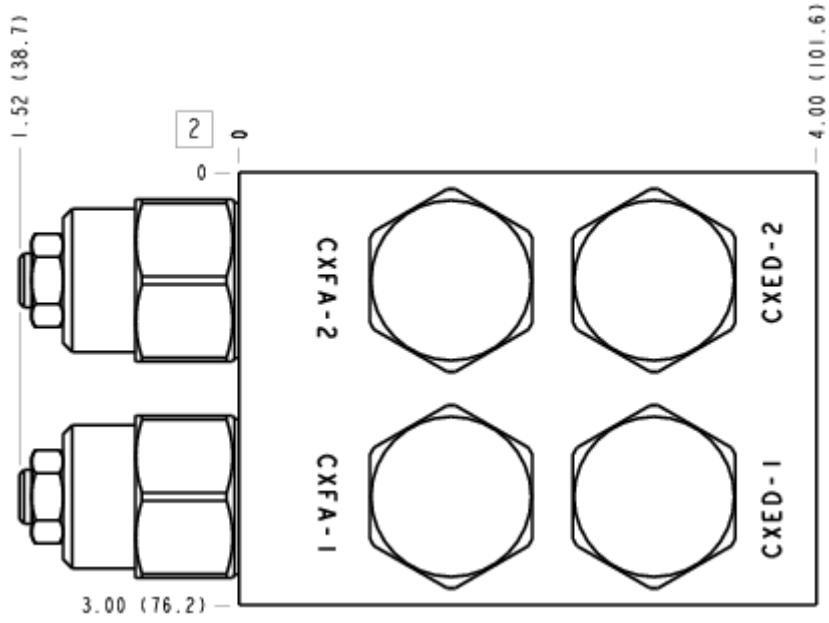
Part	Description	Quantity
CBEALHN	Cartridge - Primary	2
CXEDXAN	Cartridge	2
CXFAXAN	Cartridge	2

MANIFOLD FACES

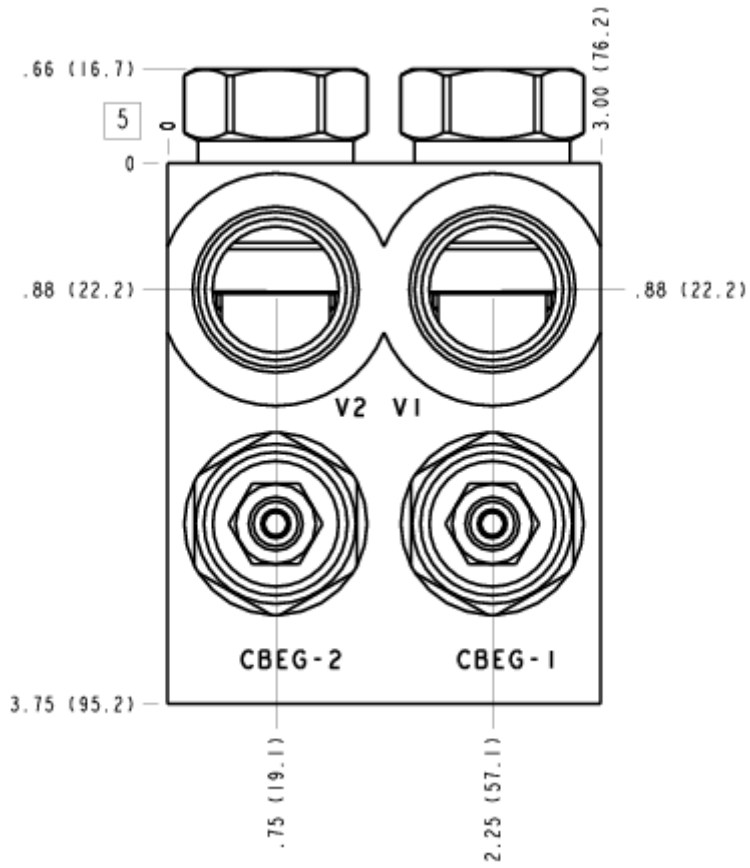
FACE GRID

1	2	3	4
5	6	7	8
9	10	11	12

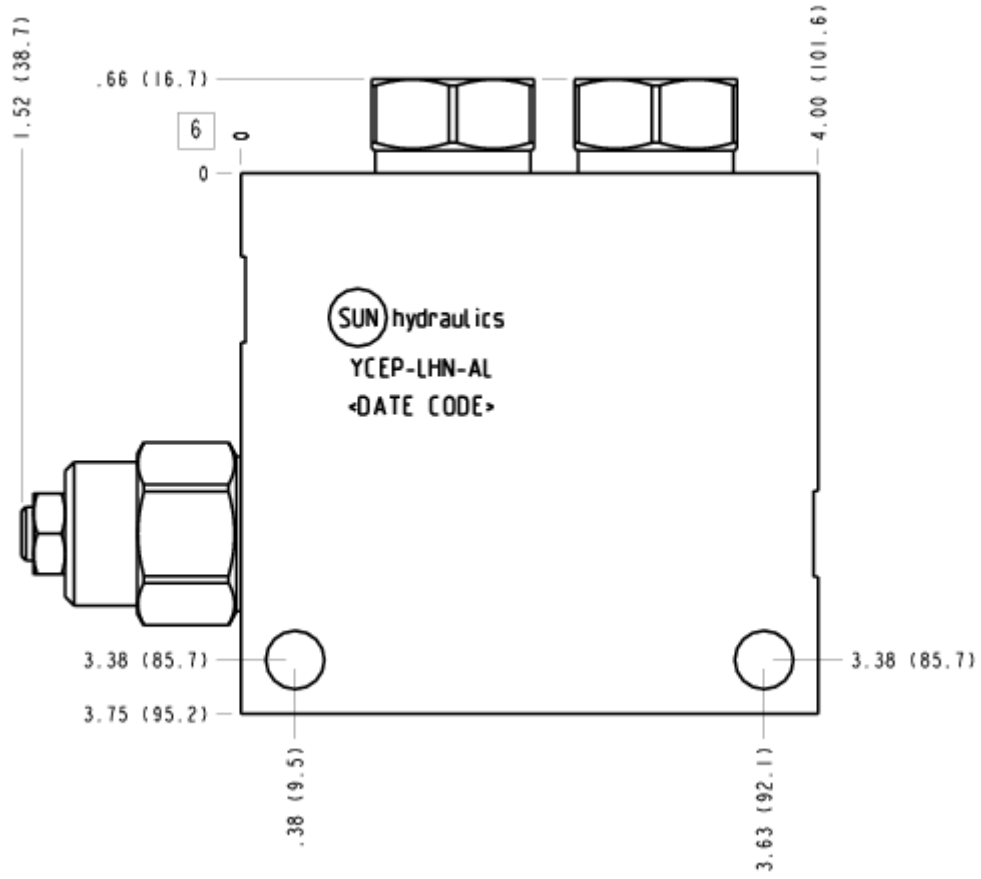
FACE 2



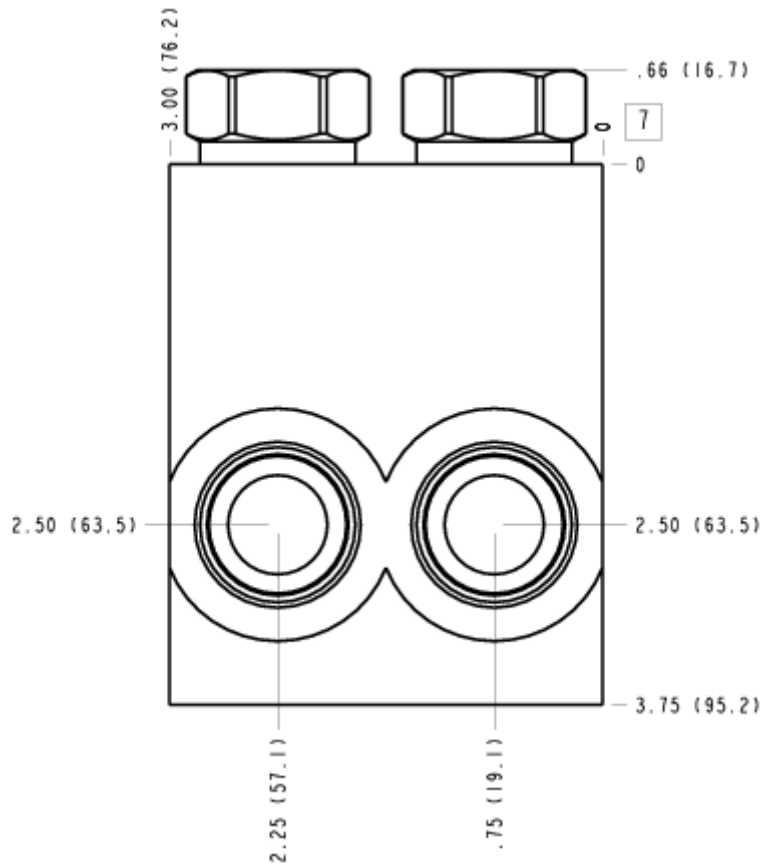
FACE 5



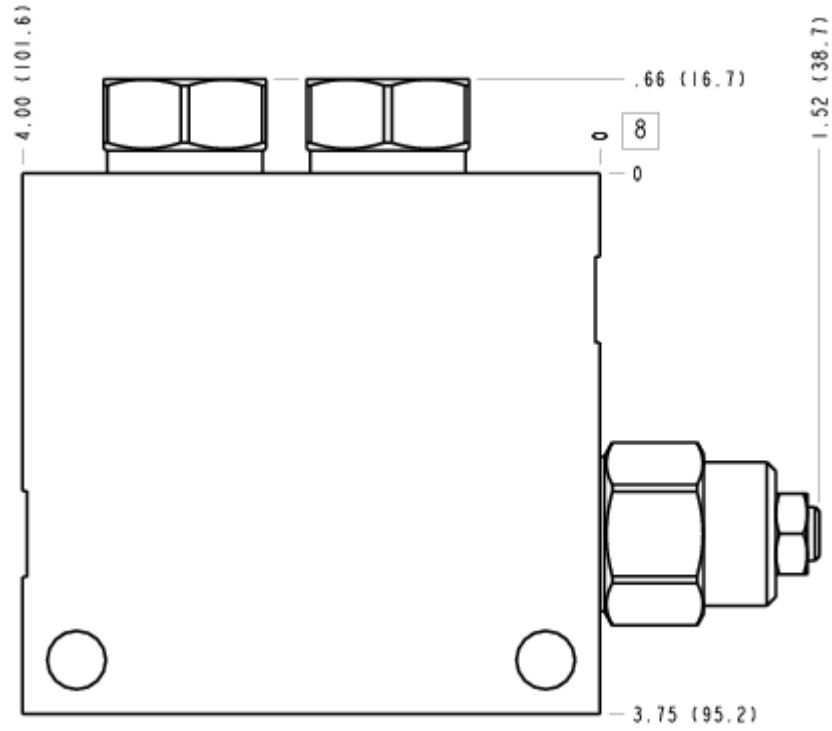
FACE 6



FACE 7



FACE 8



FACE 10

