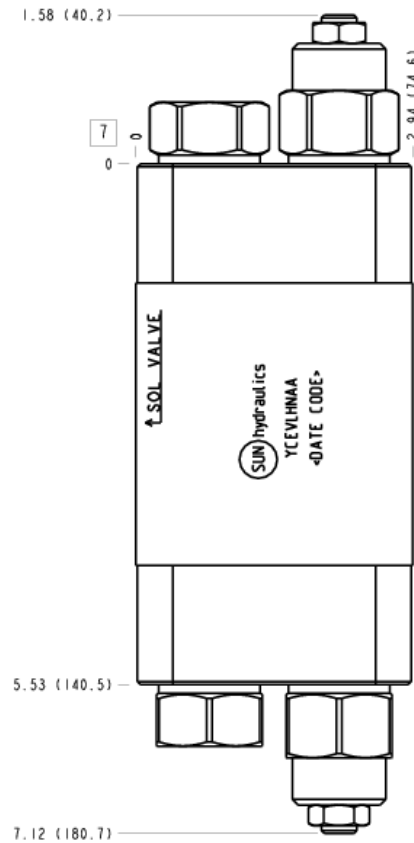


CONFIGURATION

L Control	Standard Screw Adjustment
H Functional Setting Range	1000 - 4000 psi w/25 psi Check (70 - 280 bar w/ 1,7 bar Check), 3000 psi (210 bar) Standard Setting
N Seal Material	Buna-N
A Pilot Ratio (4th Letter) of Primary Cartridge	3:1 (with CBEA primary cartridge, Proporción de pilotaje 3:1 , capacidad estándar contrabalance válvula)
A Port and Material Designation	A Aluminum



TECHNICAL DATA

Body Type	Sandwich
Interface	ISO 05
Capacity	120 L/min.
Seal Plate Included (see notes)	Yes
Stack Height	76 mm
Mounting Hole Diameter	7,1 mm
Mounting Hole Depth	Through
Mounting Hole Quantity	4

OPTION SELECTION EXAMPLE: YCEVLHNA

CONTROL	(L) FUNCTIONAL SETTING RANGE	(H) SEAL MATERIAL	(N)
L Standard Screw Adjustment	H 1000 - 4000 psi w/25 psi Check (70 - 280 bar w/ 1,7 bar Check), 3000 psi (210 bar) Standard Setting	N Buna-N	
C Tamper Resistant - Factory Set	A 1000 - 4000 psi w/4 psi Check (70 - 280 bar w/ 0,3 bar Check), 3000 psi (210 bar) Standard Setting	V Viton	
	B 400 - 1500 psi w/4 psi Check (28 - 105 bar w/ 0,3 bar Check), 1000 psi (70 bar) Standard Setting		
	I 400 - 1500 psi w/25 psi Check (28 - 105 bar w/ 1,7 bar Check), 1000 psi (70 bar) Standard Setting		

PRIMARY CARTRIDGE (A)

A	3:1 (with CBEA primary cartridge, Proporción de pilotaje 3:1 , capacidad estándar contrabalance válvula)
H	10:1 (with CBEHX primary cartridge,)
G	4.5:1 (with CBEGX primary cartridge, Ajuste fijo, proporción de pilotaje 4.5:1 , capacidad estándar contrabalance válvula)
A	3:1 (with CBEAX primary cartridge, Ajuste fijo, proporción de pilotaje 3:1 , capacidad estándar contrabalance válvula)
H	10:1 (with CBEH primary cartridge, Proporción de pilotaje 10:1 , capacidad estándar contrabalance válvula)
G	4.5:1 (with CBEG primary cartridge, Proporción de pilotaje 4.5:1 , capacidad estándar contrabalance válvula)

INCLUDED COMPONENTS

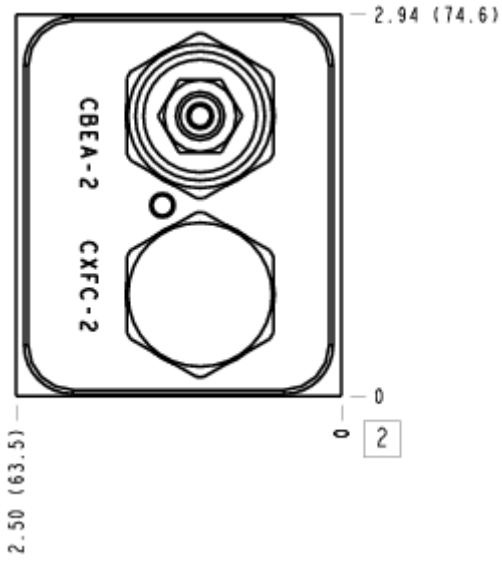
Part	Description	Quantity
500-001-014*	O-Ring	5
700-001*	Seal Plate	1
850-004-188*	Plug	2
CBEALHN	Cartridge - Primary	2
CXFCXAN	Cartridge	2

MANIFOLD FACES

FACE GRID

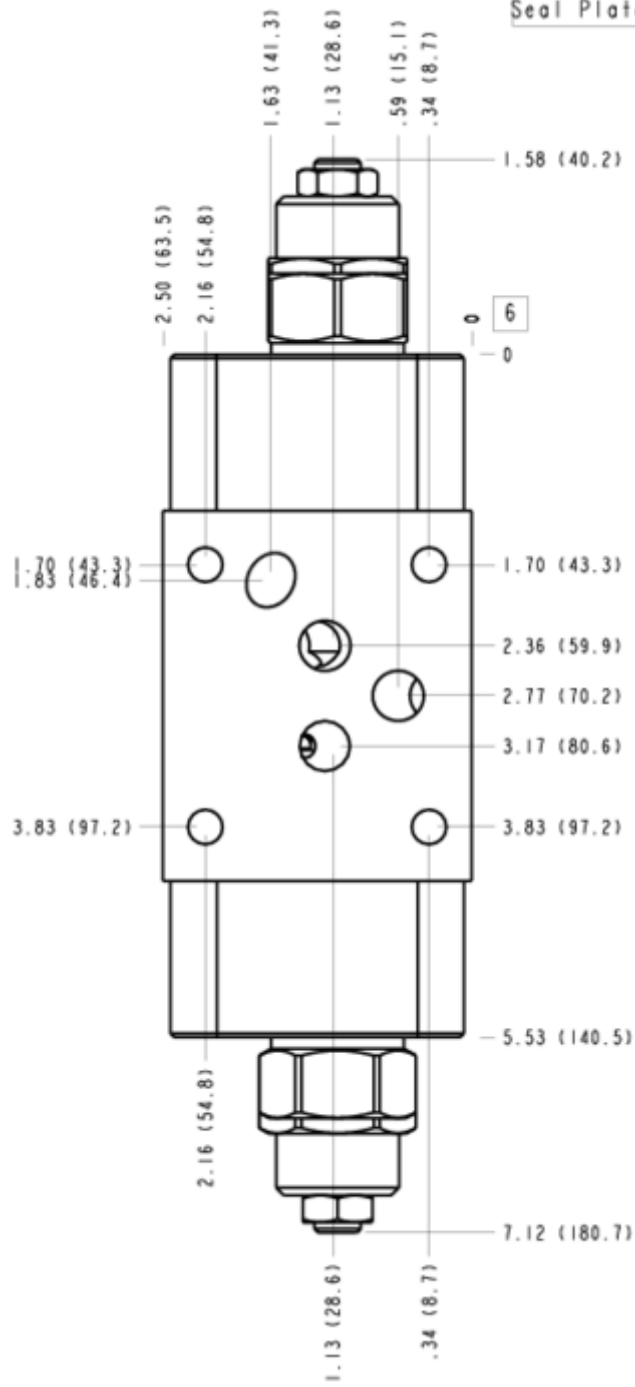
1	2	3	4
5	6	7	8
9	10	11	12

FACE 2

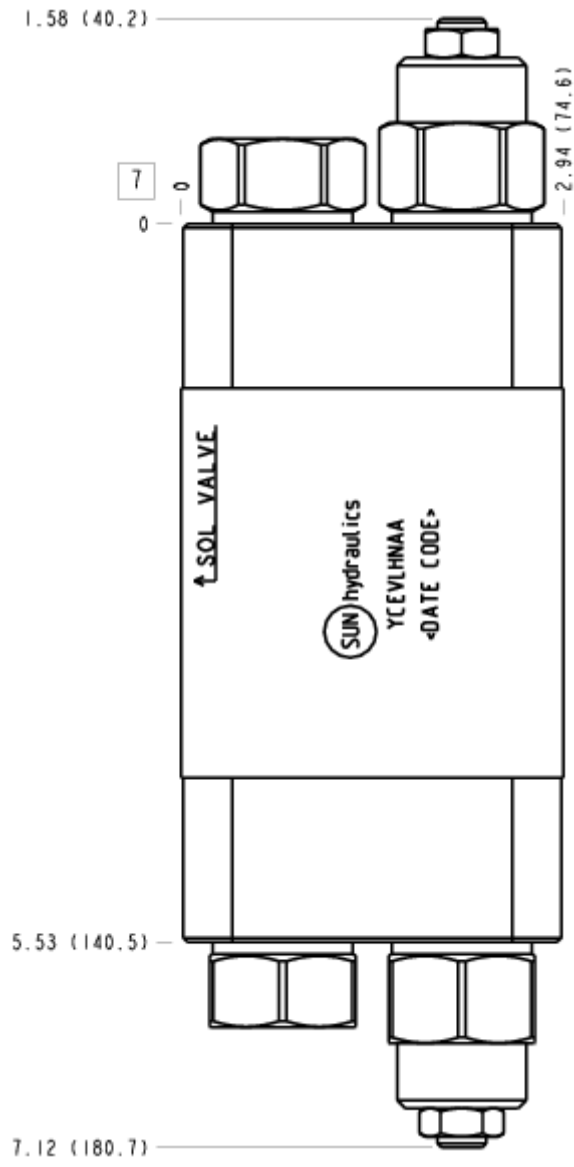


FACE 6

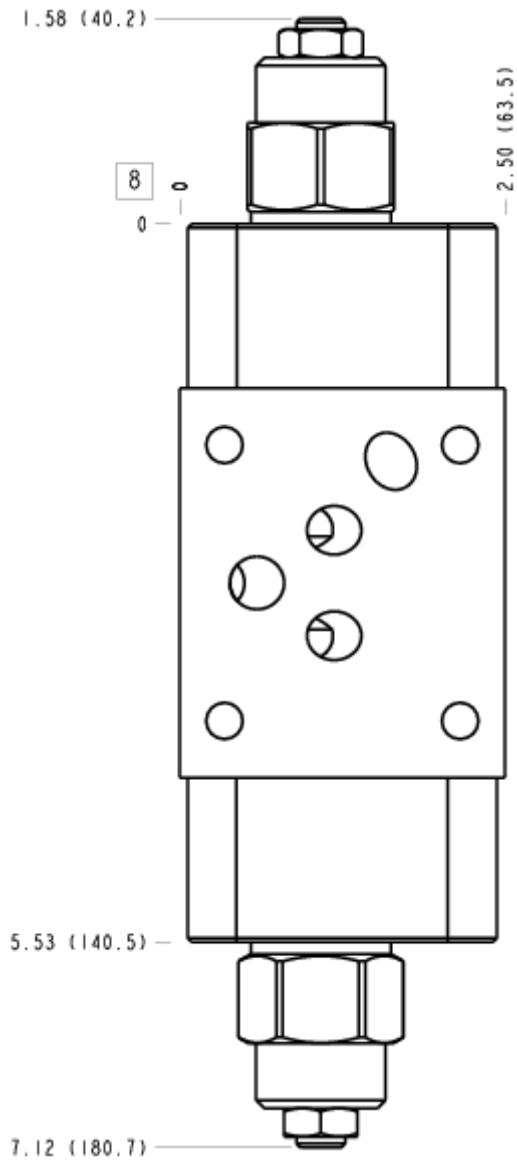
Seal Plate



FACE 7



FACE 8



FACE 10

