

This assembly consists of direct-acting relief cartridge which is normally closed, pressure-limiting valve and also includes a check valve that allows reverse free flow.

TECHNICAL DATA NOTE: DATA MAY VARY BY CONFIGURATION. SEE CONFIGURATION SECTION.

| | |
|---------------------------------|----------|
| Body Type | Sandwich |
| Interface | ISO 05 |
| Capacity | 30 gpm |
| Body Features | Out of B |
| Seal Plate Included (see notes) | Yes |
| Stack Height | 2.49 in. |
| Mounting Hole Diameter | .28 in. |
| Mounting Hole Depth | Through |
| Mounting Hole Quantity | 4 |

- NOTES:**
- Stack height value in technical data table includes seal retainer plate.
 - For detailed information regarding the cartridges contained in this assembly, click on the models codes shown in the Included Components tab.
 - **Important:** Carefully consider the maximum system pressure. The pressure rating of the manifold is dependent on the manifold material, with the port type/size a secondary consideration. Manifolds constructed of aluminum are not rated for pressures higher than 3000 psi (210 bar), regardless of the port type/size specified.

OPTION SELECTION EXAMPLE: YCFMLANCA

| CONTROL | (L) ADJUSTMENT RANGE | (A) SEAL MATERIAL | (N) |
|------------------------------------|---|-------------------|-----|
| L Standard Screw Adjustment | A 500 - 3000 psi (35 - 210 bar), 1000 psi (70 bar) Standard Setting | N Buna-N | |
| K Handknob | C 1000 - 6000 psi (70 - 420 bar), 1000 psi (70 bar) Standard Setting | V Viton | |
| | D 200 - 800 psi (14 - 55 bar), 400 psi (28 bar) Standard Setting | | |
| | E 100 - 400 psi (7 - 28 bar), 200 psi (14 bar) Standard Setting | | |
| | S 50 - 200 psi (3,5 - 14 bar), 100 psi (7 bar) Standard Setting | | |
| | W 800 - 4500 psi (55 - 315 bar), 1000 psi (70 bar) Standard Setting | | |

| PRIMARY CARTRIDGE | (C) |
|---|-----|
| C 30 psi (2 bar) (with RDFA primary cartridge, Direct-acting relief valve) | |
| A 4 psi (0,3 bar) (with RDFA primary cartridge, Direct-acting relief valve) | |
| B 15 psi (1 bar) (with RDFA primary cartridge, Direct-acting relief valve) | |
| D 50 psi (3,5 bar) (with RDFA primary cartridge, Direct-acting relief valve) | |
| E 75 psi (5 bar) (with RDFA primary cartridge, Direct-acting relief valve) | |
| F 100 psi (7 bar) (with RDFA primary cartridge, Direct-acting relief valve) | |
| Z 1 psi (0,07 bar) (with RDFA primary cartridge, Direct-acting relief valve) | |
| Z 1 psi (0,07 bar) (with RDFA3 primary cartridge, Non-adjustable direct-acting relief valve) | |
| F 100 psi (7 bar) (with RDFA3 primary cartridge, Non-adjustable direct-acting relief valve) | |
| E 75 psi (5 bar) (with RDFA3 primary cartridge, Non-adjustable direct-acting relief valve) | |
| D 50 psi (3,5 bar) (with RDFA3 primary cartridge, Non-adjustable direct-acting relief valve) | |
| C 30 psi (2 bar) (with RDFA3 primary cartridge, Non-adjustable direct-acting relief valve) | |
| B 15 psi (1 bar) (with RDFA3 primary cartridge, Non-adjustable direct-acting relief valve) | |
| A 4 psi (0,3 bar) (with RDFA3 primary cartridge, Non-adjustable direct-acting relief valve) | |

INCLUDED COMPONENTS

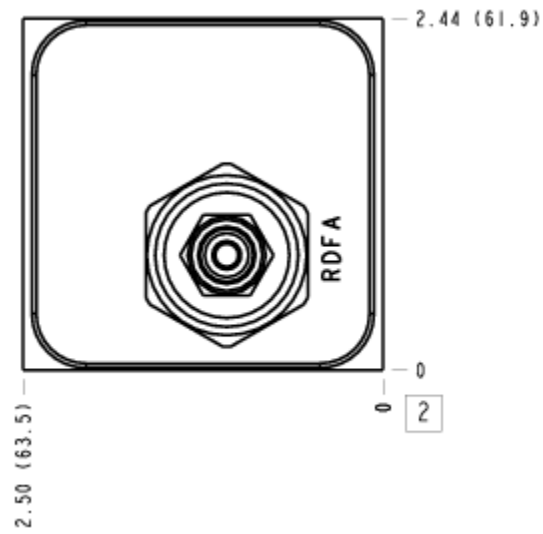
| Part | Description | Quantity |
|--------------|---------------------|----------|
| 500-001-014* | O-Ring | 5 |
| 700-001* | Seal Plate | 1 |
| CXFAXCN | Cartridge | 1 |
| RDFALAN | Cartridge - Primary | 1 |

MANIFOLD FACES

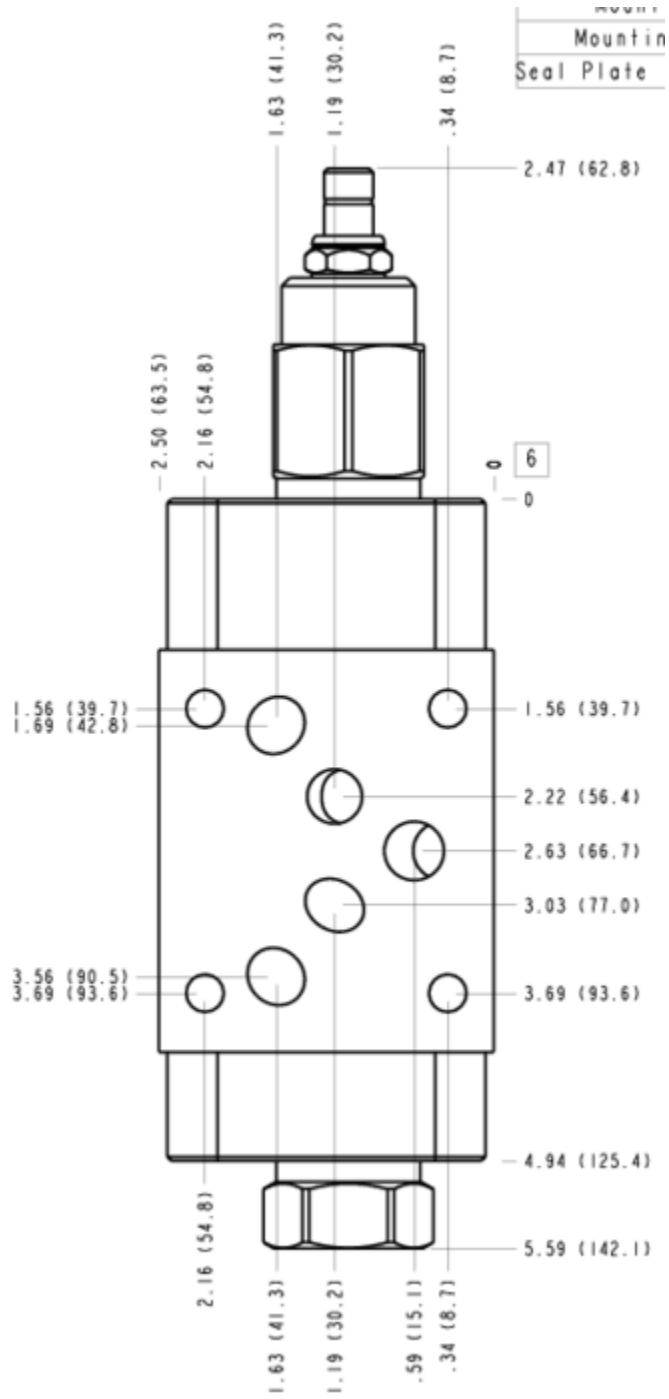
FACE GRID

| | | | |
|---|----|----|----|
| 1 | 2 | 3 | 4 |
| 5 | 6 | 7 | 8 |
| 9 | 10 | 11 | 12 |

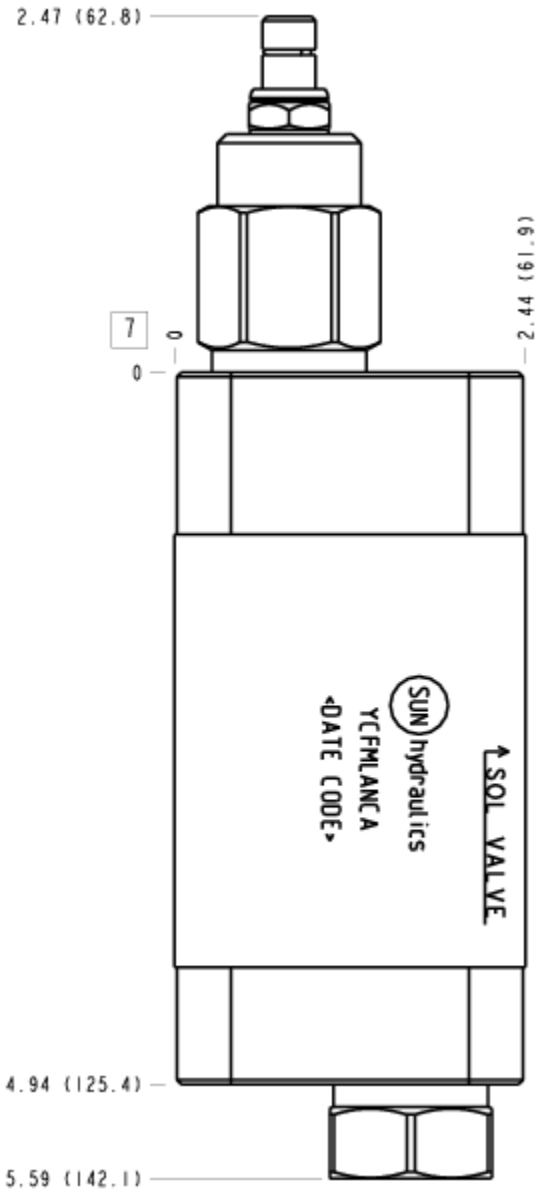
FACE 2



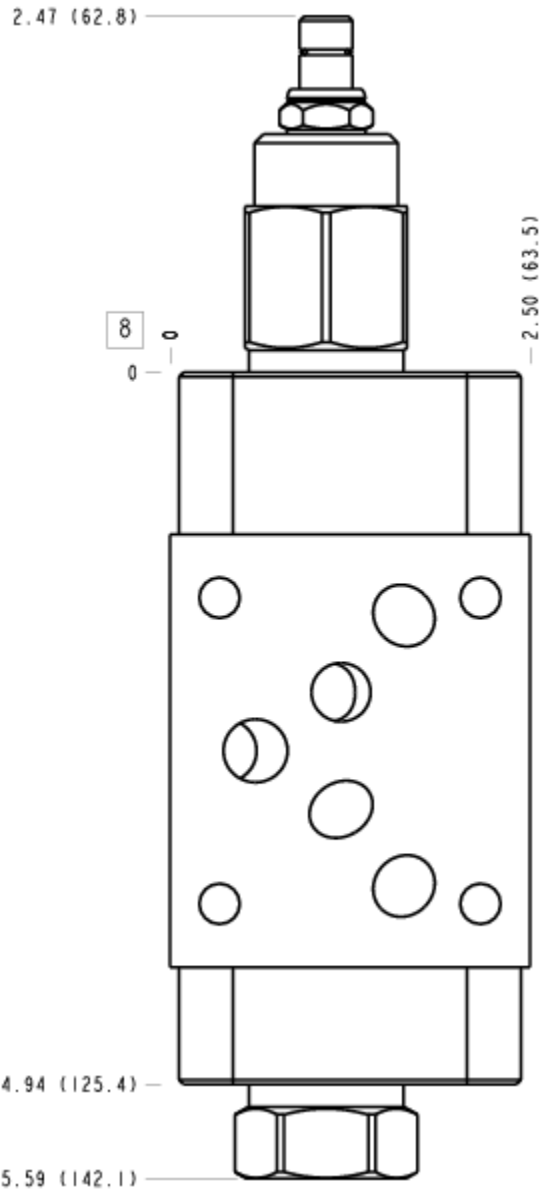
FACE 6



FACE 7



FACE 8



FACE 10

