

TECHNICAL DATA NOTE: DATA MAY VARY BY CONFIGURATION. SEE CONFIGURATION SECTION.

Body Type	apiliables
Interface	ISO 05
Capacity	120 L/min.
Body Features	fuera de B
Seal Plate Included (see notes)	Yes
Stack Height	63 mm
Mounting Hole Diameter	7,1 mm
Mounting Hole Depth	Through
Mounting Hole Quantity	4

OPTION SELECTION EXAMPLE: YCFMLANCA

CONTROL	(L) ADJUSTMENT RANGE	(A) SEAL MATERIAL	(N)
L Standard Screw Adjustment	A 500 - 3000 psi (35 - 210 bar), 1000 psi (70 bar) Standard Setting B 300 - 1500 psi (20 - 105 bar), 1000 psi (70 bar) Standard Setting C 1000 - 6000 psi (70 - 420 bar), 1000 psi (70 bar) Standard Setting D 200 - 800 psi (14 - 55 bar), 400 psi (28 bar) Standard Setting E 100 - 400 psi (7 - 28 bar), 200 psi (14 bar) Standard Setting S 50 - 200 psi (3,5 - 14 bar), 100 psi (7 bar) Standard Setting W 800 - 4500 psi (55 - 315 bar), 1000 psi (70 bar) Standard Setting	N Buna-N V Viton	

PRIMARY CARTRIDGE	(C)
C 30 psi (2 bar) (with RDFA primary cartridge, Acción-directa alivio válvula)	
A 4 psi (0,3 bar) (with RDFA primary cartridge, Acción-directa alivio válvula)	
B 15 psi (1 bar) (with RDFA primary cartridge, Acción-directa alivio válvula)	
D 50 psi (3,5 bar) (with RDFA primary cartridge, Acción-directa alivio válvula)	
E 75 psi (5 bar) (with RDFA primary cartridge, Acción-directa alivio válvula)	
F 100 psi (7 bar) (with RDFA primary cartridge, Acción-directa alivio válvula)	
Z 1 psi (0,07 bar) (with RDFA primary cartridge, Acción-directa alivio válvula)	
Z 1 psi (0,07 bar) (with RDFA3 primary cartridge, No-ajustable acción-directa alivio válvula)	
F 100 psi (7 bar) (with RDFA3 primary cartridge, No-ajustable acción-directa alivio válvula)	
E 75 psi (5 bar) (with RDFA3 primary cartridge, No-ajustable acción-directa alivio válvula)	
D 50 psi (3,5 bar) (with RDFA3 primary cartridge, No-ajustable acción-directa alivio válvula)	
C 30 psi (2 bar) (with RDFA3 primary cartridge, No-ajustable acción-directa alivio válvula)	
B 15 psi (1 bar) (with RDFA3 primary cartridge, No-ajustable acción-directa alivio válvula)	
A 4 psi (0,3 bar) (with RDFA3 primary cartridge, No-ajustable acción-directa alivio válvula)	

INCLUDED COMPONENTS

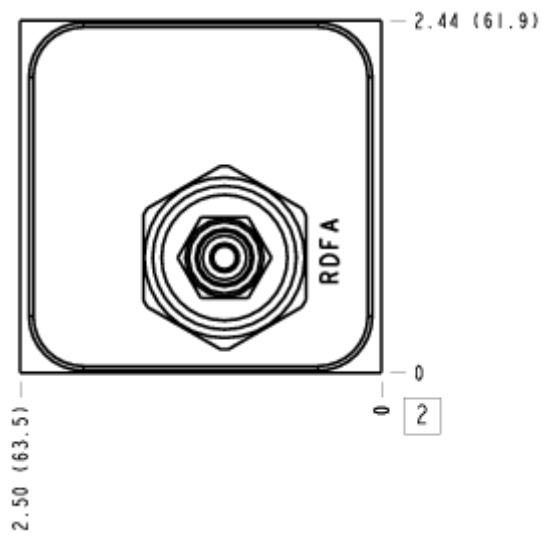
Part	Description	Quantity
500-001-014*	O-Ring	5
700-001*	Seal Plate	1
CXFAXCN	Cartridge	1
RDFALAN	Cartridge - Primary	1

MANIFOLD FACES

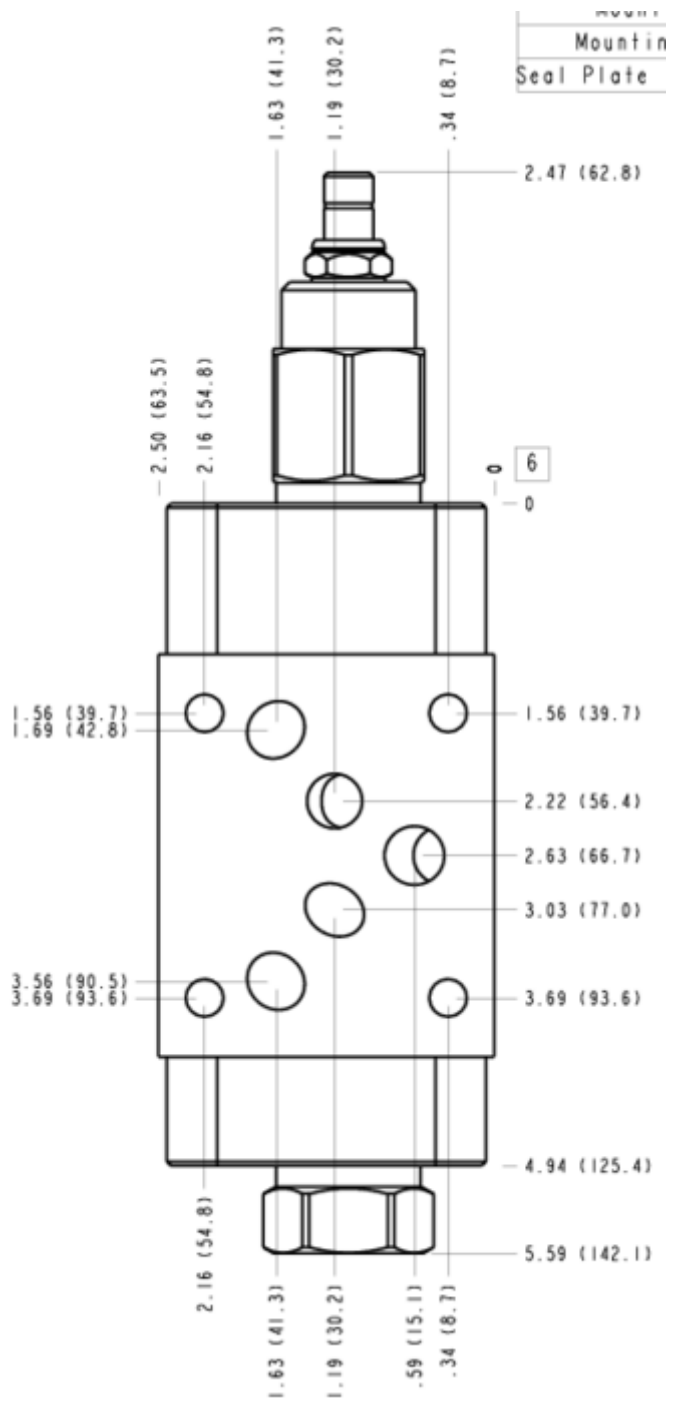
FACE GRID

1	2	3	4
5	6	7	8
9	10	11	12

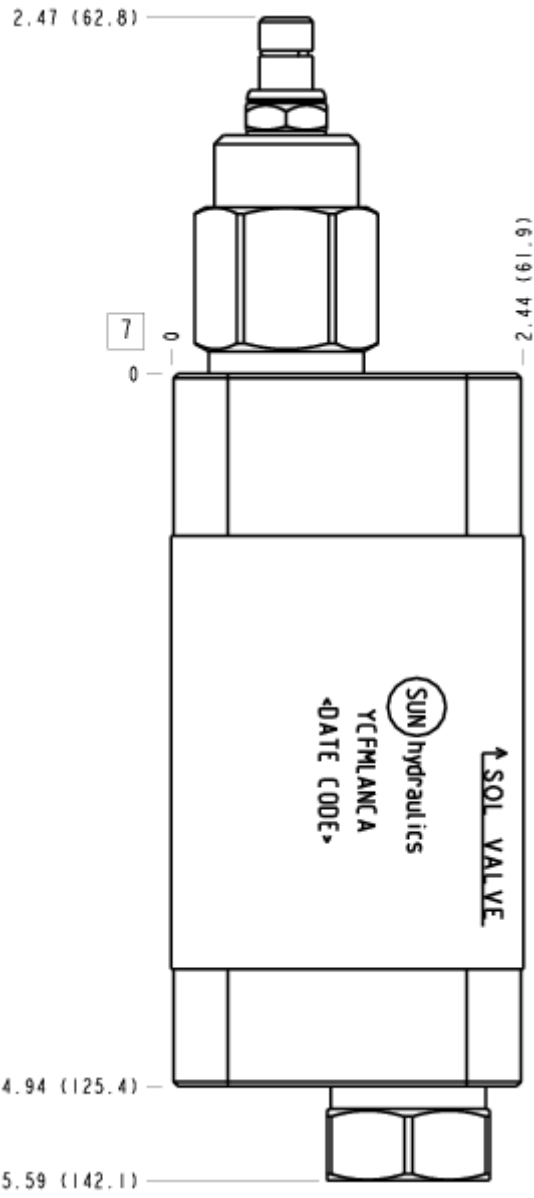
FACE 2



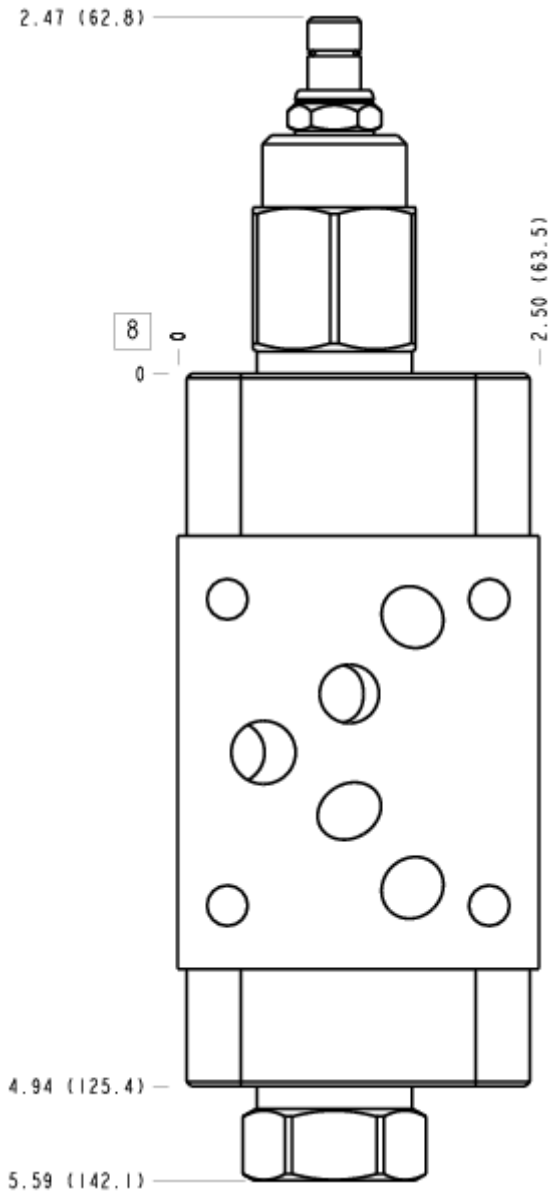
FACE 6



FACE 7



FACE 8



FACE 10

