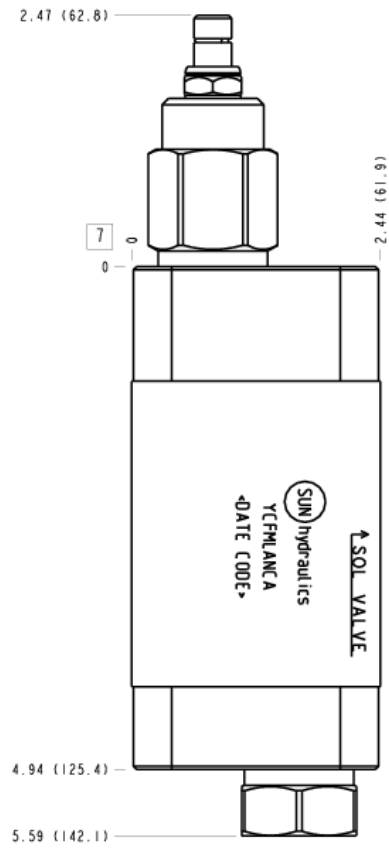


Out of "B"



TECHNICAL DATA NOTE: DATA MAY VARY BY CONFIGURATION. SEE CONFIGURATION SECTION.

	ISO 05
	120 L/min.
Stack Height	63 mm
()	
	Out of B
	7,1 mm
	Through
	4

OPTION SELECTION EXAMPLE: YCFMLANCA

(L) (A) (N)

L	A	500 - 3000 psi (35 - 210 bar), 1000 psi (70 bar)	N
	B	300 - 1500 psi (20 - 105 bar), 1000 psi (70 bar)	V
	C	1000 - 6000 psi (70 - 420 bar), 1000 psi (70 bar)	
	D	200 - 800 psi (14 - 55 bar), 400 psi (28 bar)	
	E	100 - 400 psi (7 - 28 bar), 200 psi (14 bar)	
	S	50 - 200 psi (3,5 - 14 bar), 100 psi (7 bar)	
	W	800 - 4500 psi (55 - 315 bar), 1000 psi (70 bar)	

PRIMARY CARTRIDGE

(C)

C	30 psi (2 bar) (with RDFA primary cartridge,)
A	4 psi (0,3 bar) (with RDFA primary cartridge,)
B	15 psi (1 bar) (with RDFA primary cartridge,)
D	50 psi (3,5 bar) (with RDFA primary cartridge,)
E	75 psi (5 bar) (with RDFA primary cartridge,)
F	100 psi (7 bar) (with RDFA primary cartridge,)
Z	1 psi (0,07 bar) (with RDFA primary cartridge,)
Z	1 psi (0,07 bar) (with RDFA3 primary cartridge,)
F	100 psi (7 bar) (with RDFA3 primary cartridge,)
E	75 psi (5 bar) (with RDFA3 primary cartridge,)
D	50 psi (3,5 bar) (with RDFA3 primary cartridge,)
C	30 psi (2 bar) (with RDFA3 primary cartridge,)
B	15 psi (1 bar) (with RDFA3 primary cartridge,)
A	4 psi (0,3 bar) (with RDFA3 primary cartridge,)

INCLUDED COMPONENTS

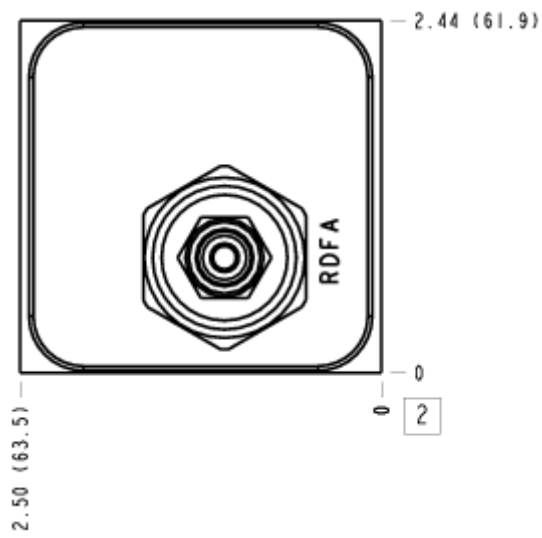
Part	Description	Quantity
500-001-014*	O-Ring	5
700-001*	Seal Plate	1
CXFAXCN	Cartridge	1
RDFALAN	Cartridge - Primary	1

MANIFOLD FACES

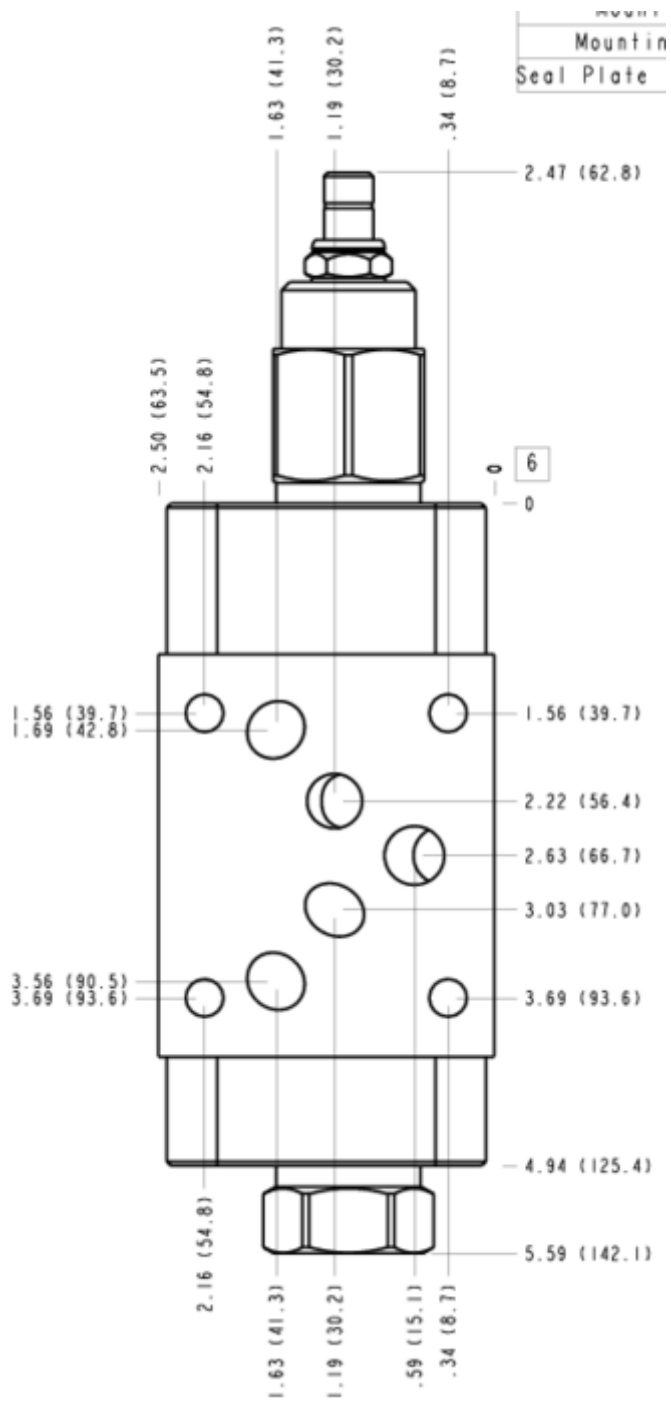
FACE GRID

1	2	3	4
5	6	7	8
9	10	11	12

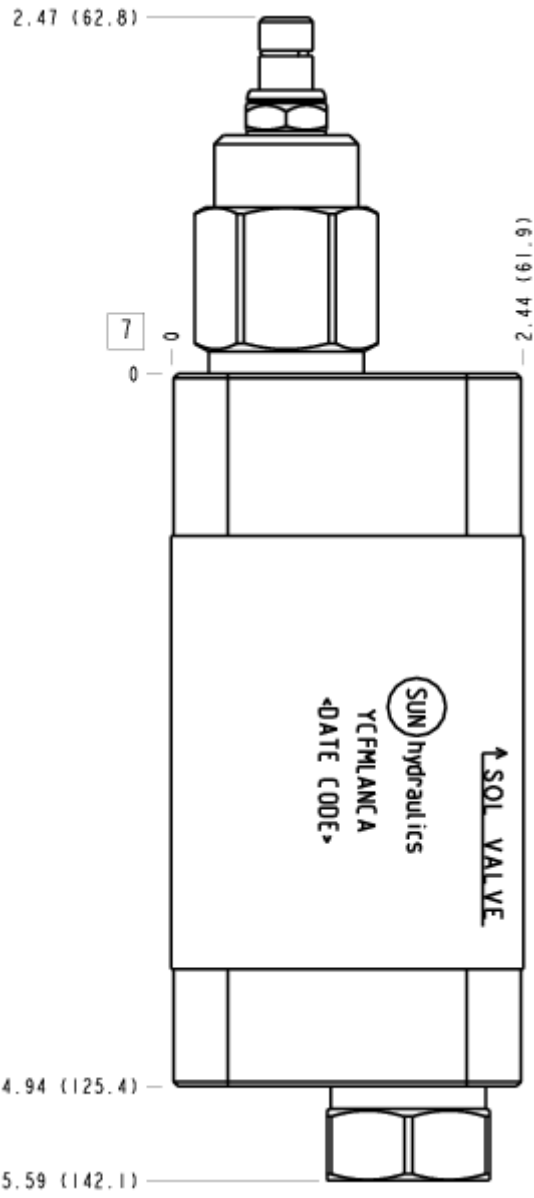
FACE 2



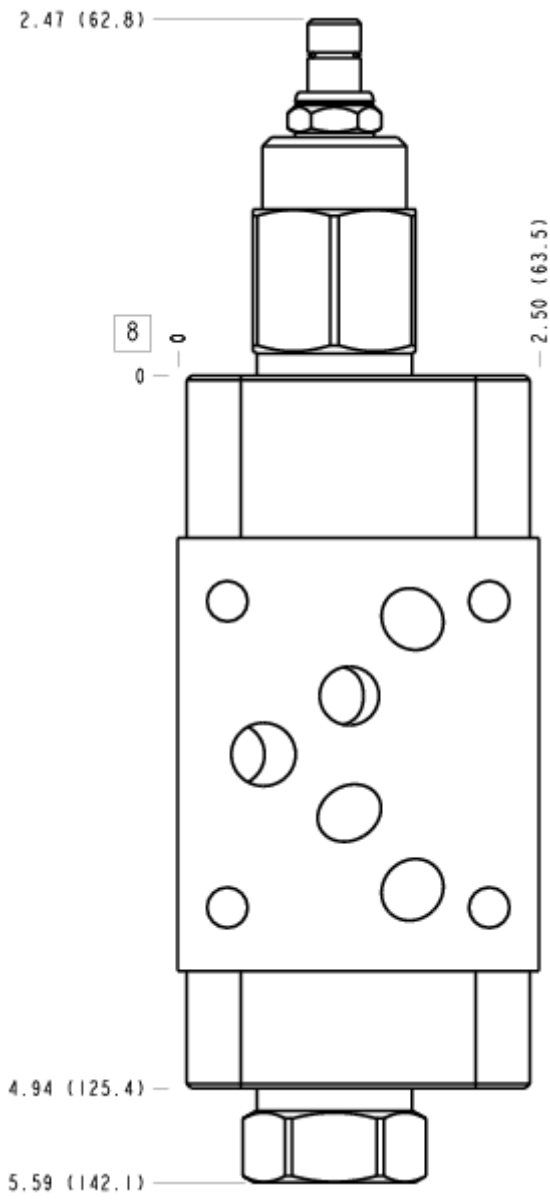
FACE 6



FACE 7



FACE 8



FACE 10

