

TECHNICAL DATA

Body Type	Line mount
Capacity	160 L/min.
Mounting Hole Diameter	10,4 mm
Mounting Hole Depth	Through
Mounting Hole Quantity	2

OPTION SELECTION EXAMPLE: YCFOXCNAL

CONTROL	(X) CRACKING PRESSURE	(C) SEAL MATERIAL	(N)
X Not Adjustable	C 30 psi (2 bar)	N Buna-N	
	D 50 psi (3,5 bar)	V Viton	
	E 75 psi (5 bar)		
	F 100 psi (7 bar)		

PRIMARY CARTRIDGE (A)

A A (with CXFA primary cartridge, Caudal libre de nariz al lado anti-retorno válvula)

INCLUDED COMPONENTS

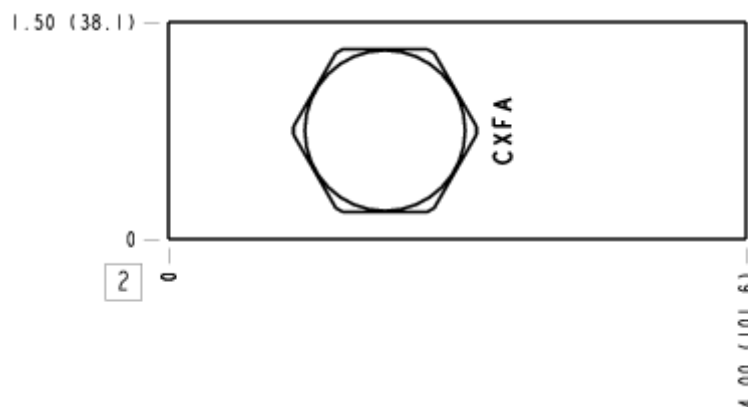
Part	Description	Quantity
COFOXDN	Cartridge	1
CXFAXCN	Cartridge - Primary	1

MANIFOLD FACES

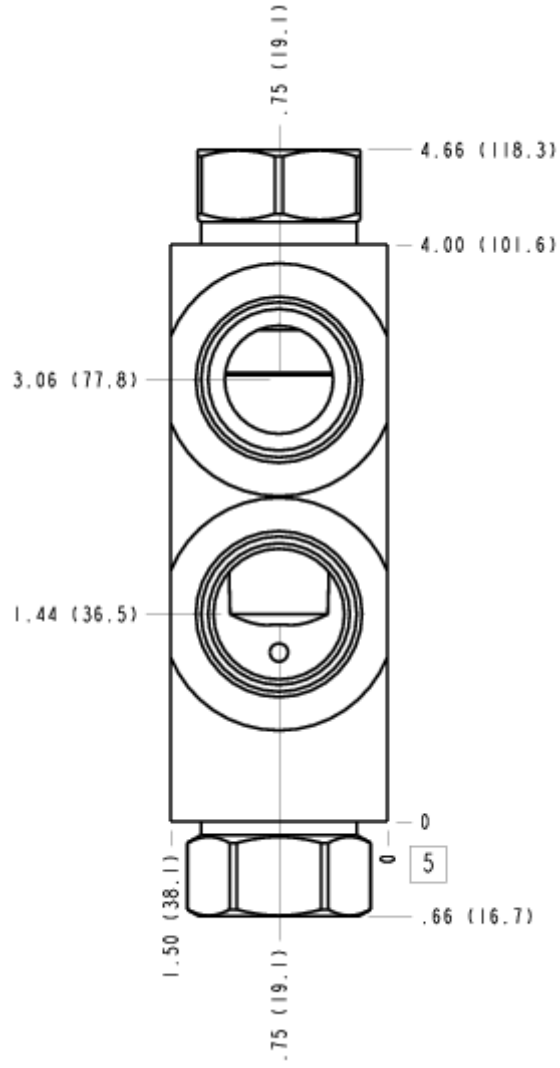
FACE GRID

1	2	3	4
5	6	7	8
9	10	11	12

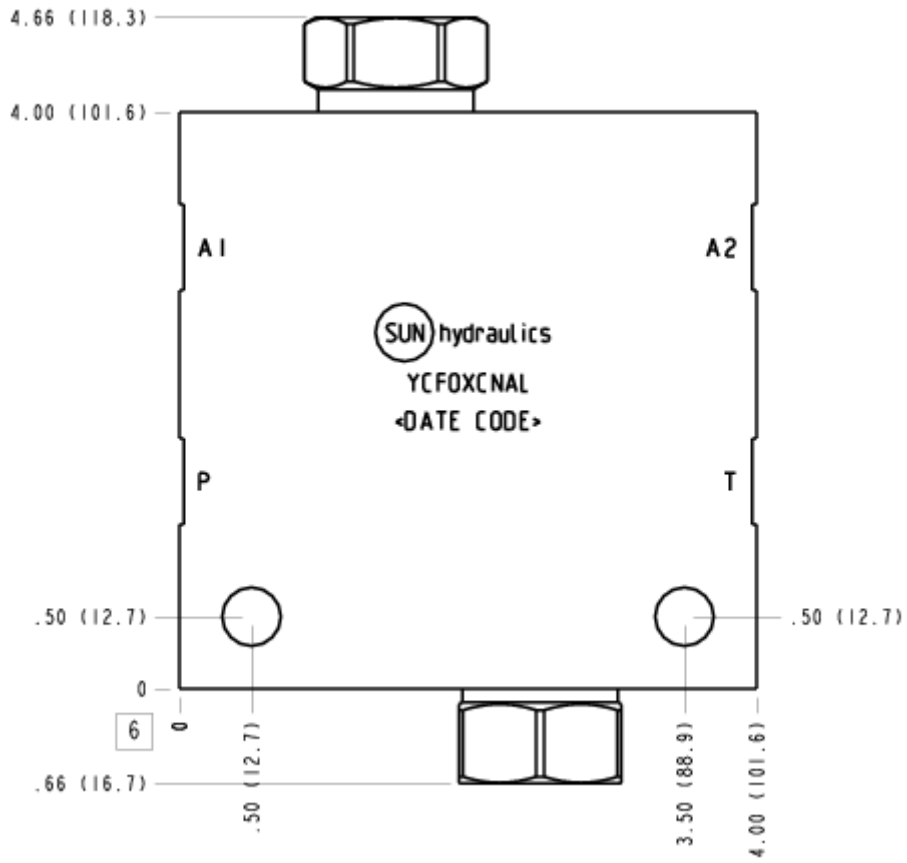
FACE 2



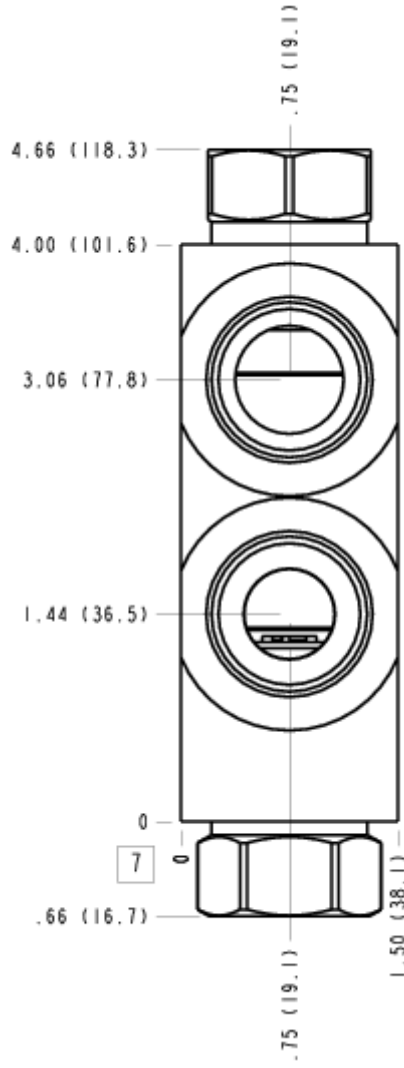
FACE 5



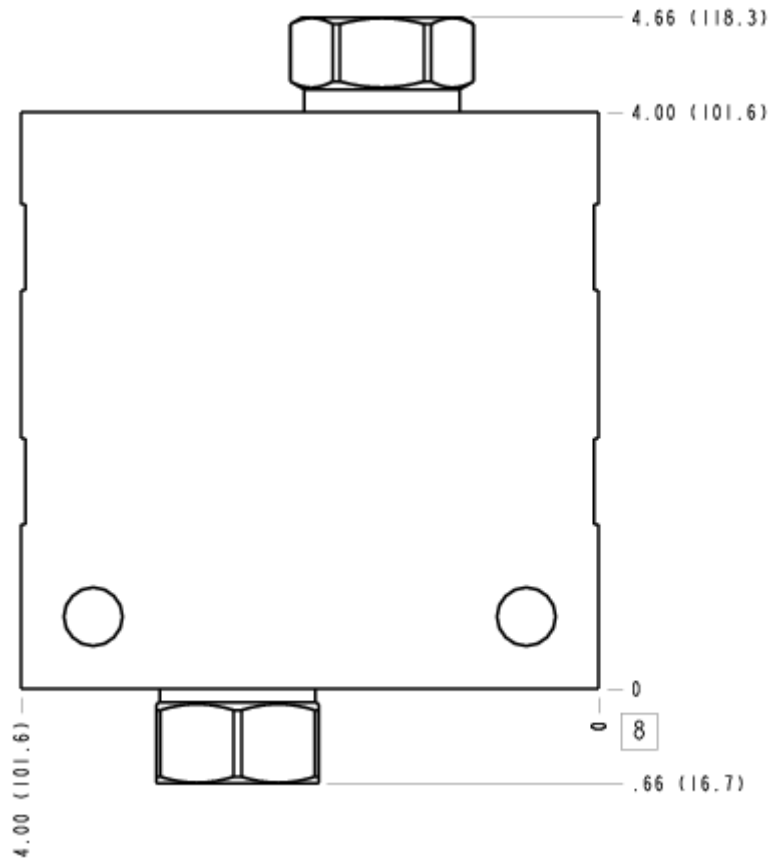
FACE 6



FACE 7



FACE 8



FACE 10

