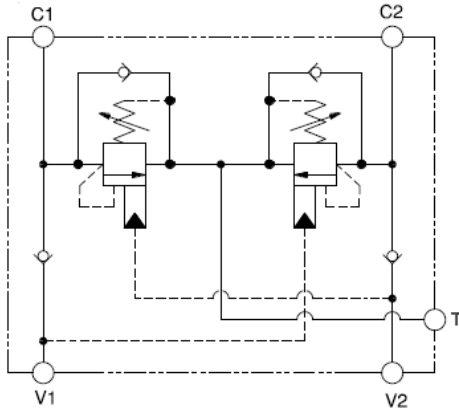




[sunhydraulics.com/model/YCGD](https://sunhydraulics.com/model/YCGD)

This valve assembly provides overrunning load-control, load-port relief protection, supplies make-up oil, and flushes hot dirty oil out of the actuator. All oil coming out of the actuator returns to tank through port T.



### TECHNICAL DATA

Body Type	Line mount
Mounting Hole Diameter	.53 in.
Mounting Hole Depth	Through
Mounting Hole Quantity	2

### CONFIGURATION

NOTES:

Control
Functional Setting Range
Seal Material
Pilot Ratio (4th Letter) of Primary Cartridge
Port and Material Designation

- **Important:** Carefully consider the maximum system pressure. The pressure rating of the manifold is dependent on the manifold material, with the port type/size a secondary consideration. Manifolds constructed of aluminum are not rated for pressures higher than 3000 psi (210 bar), regardless of the port type/size specified.
- For detailed information regarding the cartridges contained in this assembly, click on the models codes shown in the Included Components tab.

**CONFIGURATION OPTIONS**

Model Code Example: **YCGDHNAN**

CONTROL		(L) FUNCTIONAL SETTING RANGE	(I) SEAL MATERIAL	(V)
<b>L</b>	Standard Screw Adjustment	<b>I</b> 400 - 1500 psi w/25 psi Check (28 - 105 bar w/ 1,7 bar Check), 1000 psi (70 bar) Standard Setting  <b>A</b> 1000 - 4000 psi w/4 psi Check (70 - 280 bar w/ 0,3 bar Check), 3000 psi (210 bar) Standard Setting  <b>B</b> 400 - 1500 psi w/4 psi Check (28 - 105 bar w/ 0,3 bar Check), 1000 psi (70 bar) Standard Setting  <b>H</b> 1000 - 4000 psi w/25 psi Check (70 - 280 bar w/ 1,7 bar Check), 3000 psi (210 bar) Standard Setting	<b>V</b>	Viton
<b>C</b>	Tamper Resistant - Factory Set		<b>N</b>	Buna-N

**PRIMARY CARTRIDGE**

(A)

<b>A</b>	3:1 (with CBGA primary cartridge, 3:1 pilot ratio, standard capacity counterbalance valve)
<b>H</b>	10:1 (with CBGH primary cartridge, 10:1 pilot ratio, standard capacity counterbalance valve)
<b>G</b>	4.5:1 (with CBGG primary cartridge, 4.5:1 pilot ratio, standard capacity counterbalance valve)