

**TECHNICAL DATA** NOTE: DATA MAY VARY BY CONFIGURATION. SEE CONFIGURATION SECTION.

	240 L/min.
	13,5 mm
	Through
	2

**OPTION SELECTION EXAMPLE: YCGPLHNAM**

(L) (H) (N)

<b>L</b>	<b>H</b>	1000 - 4000 psi 25 psi (70 - 280 bar 1.7 bar), 3000 psi (210 bar)	<b>N</b>
	<b>A</b>	1000 - 4000 psi 4 psi (70 - 280 bar 0.3 bar), 3000 psi (210 bar)	<b>V</b>
	<b>B</b>	400 - 1500 psi 4 psi (28 - 105 bar 0.3 bar), 1000 psi (70 bar)	
	<b>I</b>	400 - 1500 psi 25 psi (28 - 105 bar 1.7 bar), 1000 psi (70 bar)	

**PRIMARY CARTRIDGE**

(A)

<b>A</b>	3:1 (with CBGA primary cartridge, 3:1, )
<b>H</b>	10:1 (with CBGH primary cartridge, 10:1, )
<b>G</b>	4.5:1 (with CBGG primary cartridge, 4.5:1, )

**INCLUDED COMPONENTS**

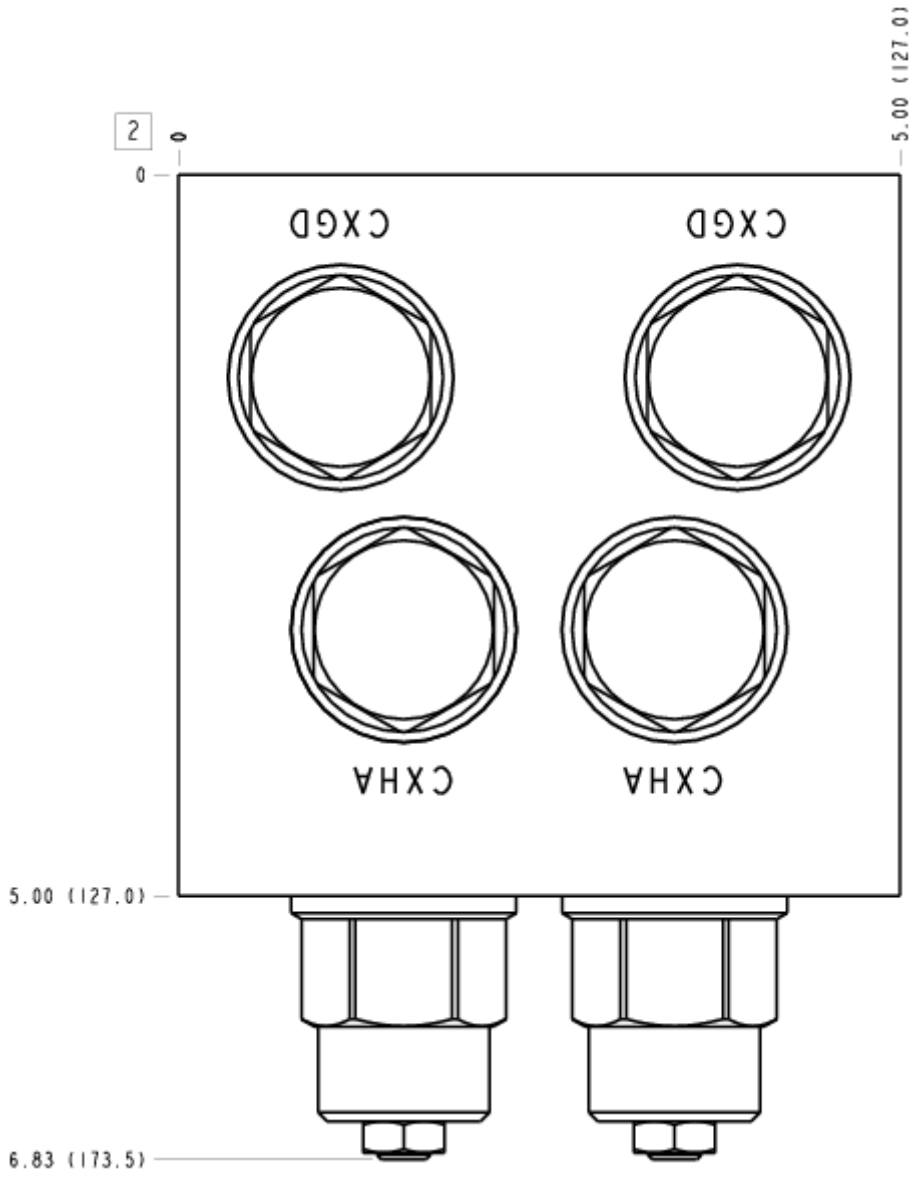
Part	Description	Quantity
CBGALHN	Cartridge - Primary	2
CXGDXAN	Cartridge	2
CXHAXAN	Cartridge	2

**MANIFOLD FACES**

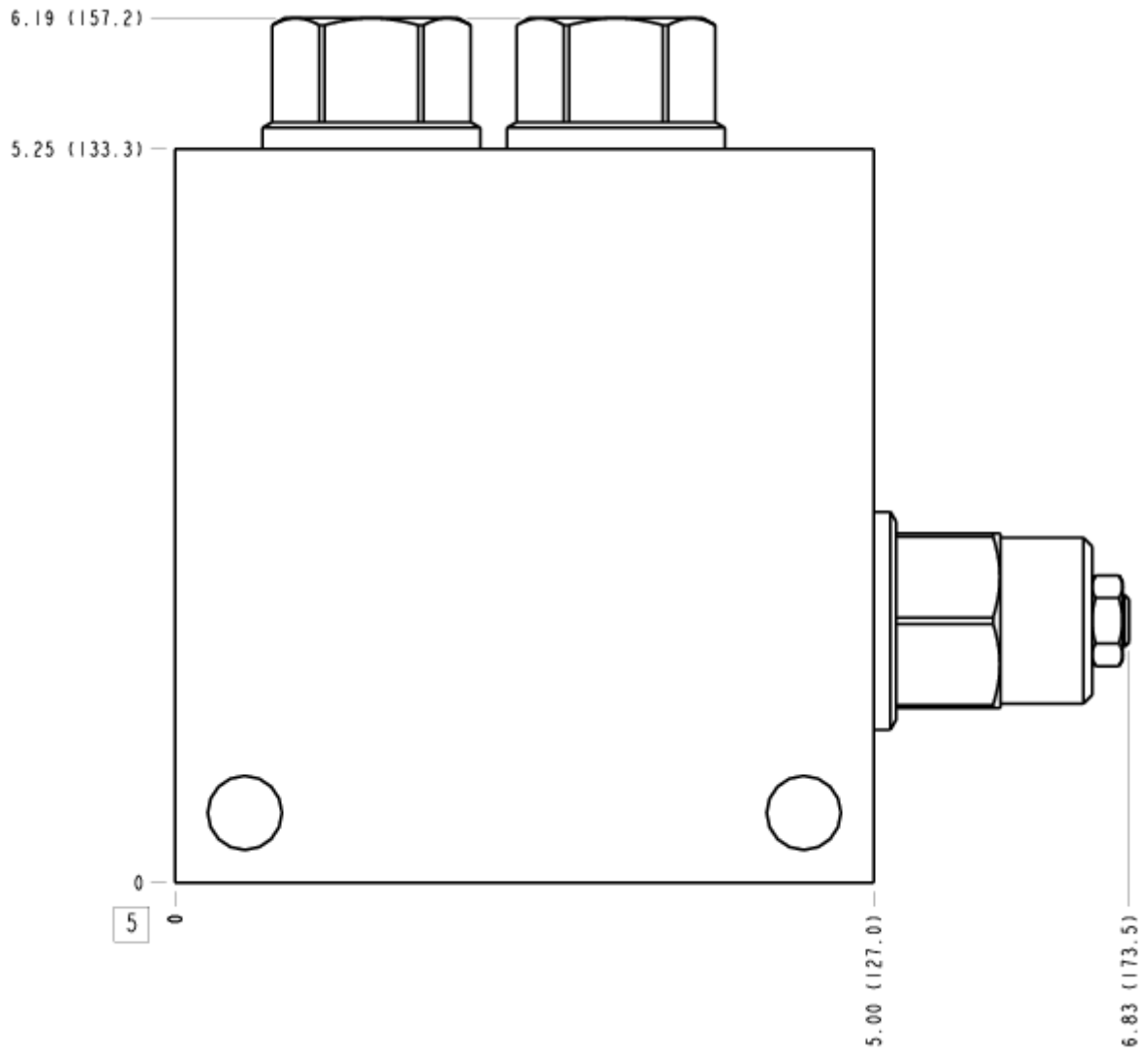
**FACE GRID**

1	2	3	4
5	6	7	8
9	10	11	12

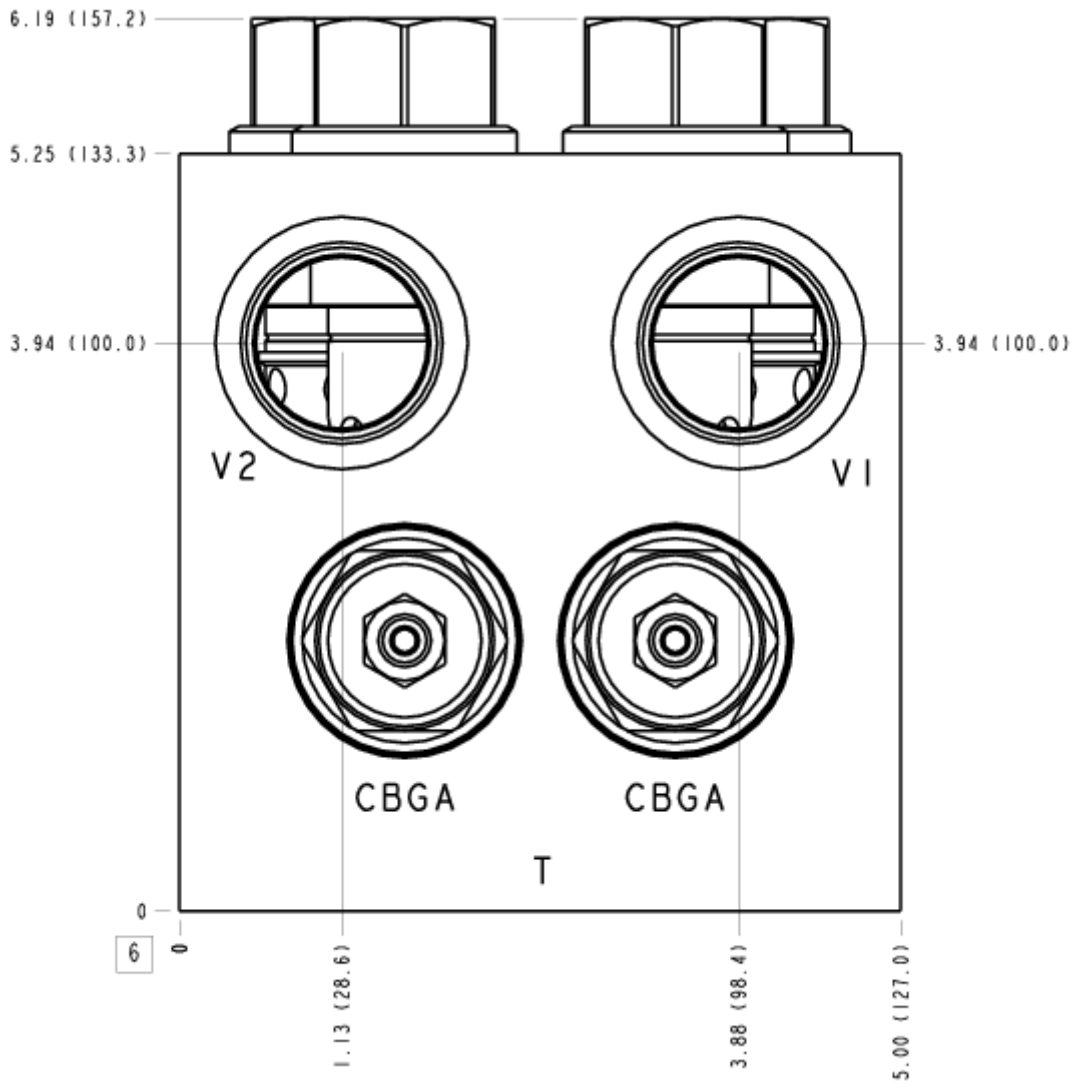
FACE 2



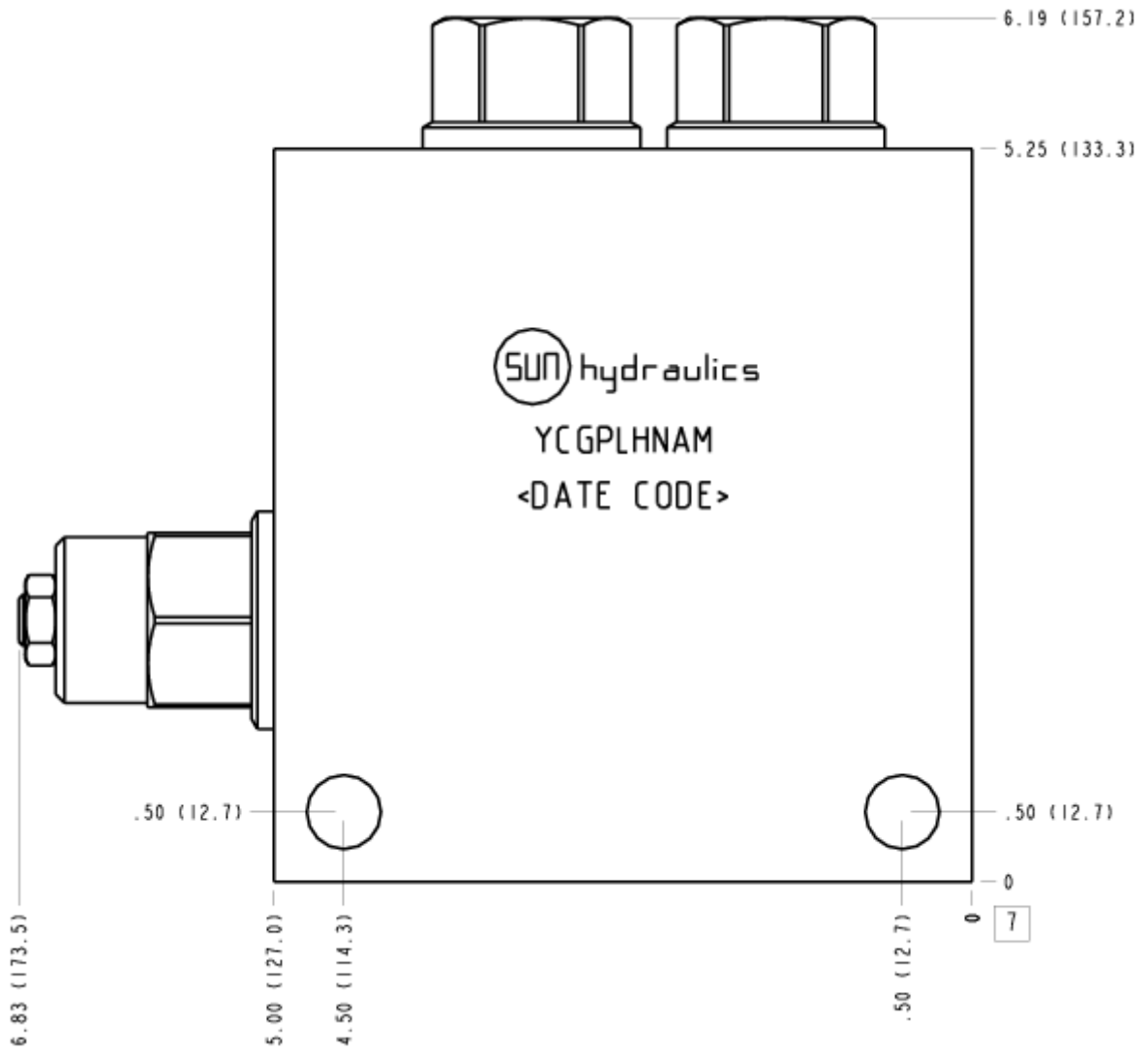
FACE 5



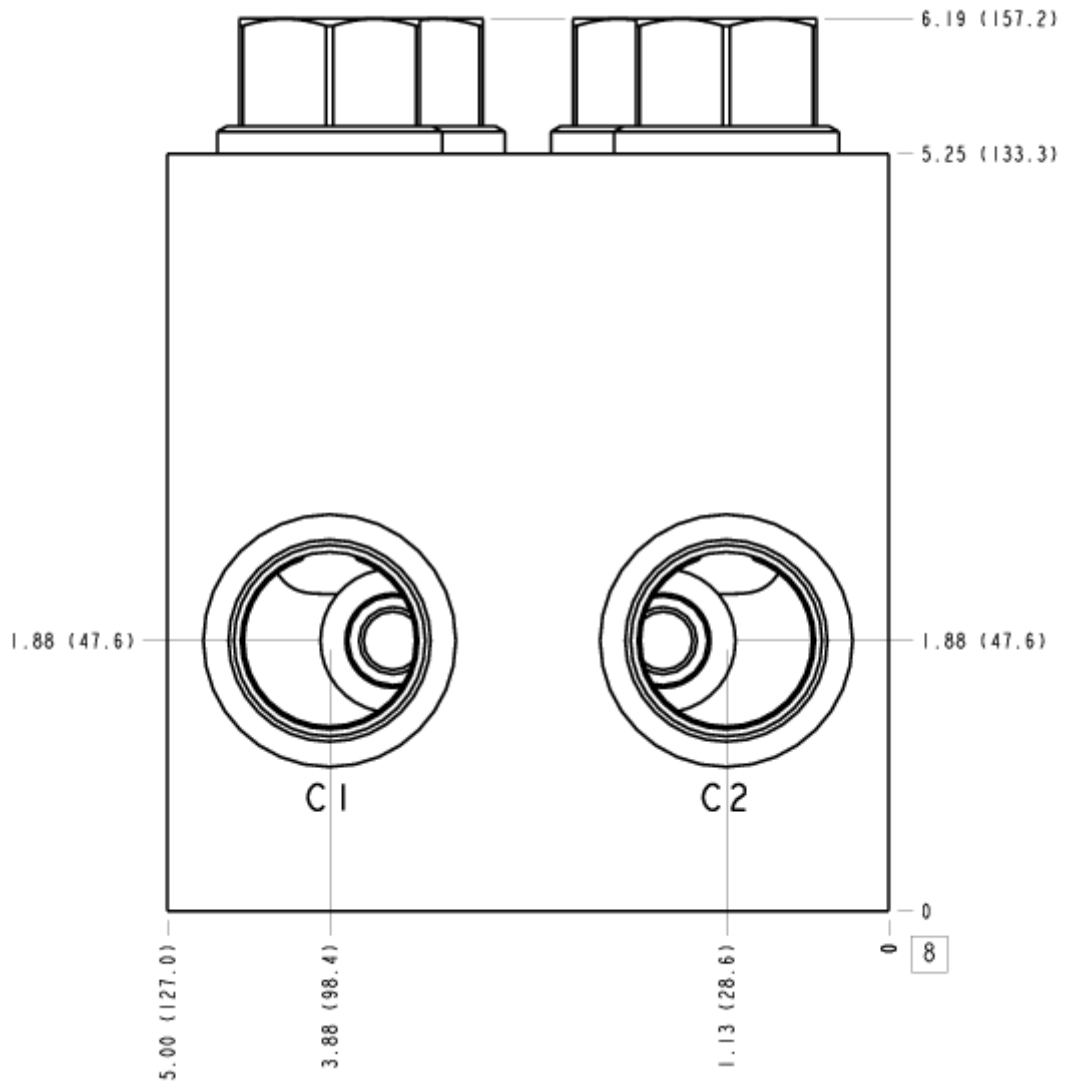
FACE 6



FACE 7



FACE 8



FACE 10

