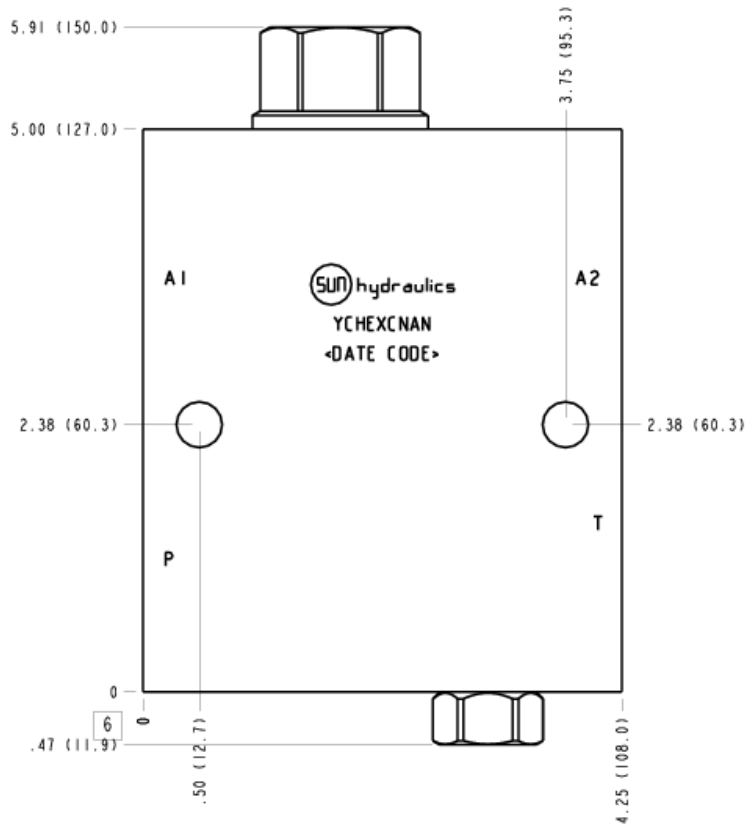


### CONFIGURATION

<b>X</b> Control	piloto estándar
<b>C</b> Cracking Pressure	30 psi (2 bar)
<b>N</b> Seal Material	Buna-N
<b>A</b> Primary Cartridge	A (with CODA primary cartridge, Pilotaje para cerrar anti-retorno válvula )
<b>N</b> Port and Material Designation	Ports P, A1, A2 — SAE 20; Port T — SAE 8; Mtg Holes — .41 DIA (10,4 mm) THRU; Aluminum



### TECHNICAL DATA NOTE: DATA MAY VARY BY CONFIGURATION. SEE CONFIGURATION SECTION.

Body Type	montaje en línea
Capacity	320 L/min.
Mounting Hole Quantity	2

**OPTION SELECTION EXAMPLE: YCHEXCNAN**

CONTROL	(X) CRACKING PRESSURE	(C) SEAL MATERIAL	(N)
<b>X</b> piloto estándar	<b>C</b> 30 psi (2 bar)	<b>N</b> Buna-N	
<b>L</b> activador manual	<b>F</b> 100 psi (7 bar)	<b>V</b> Viton	
	<b>G</b> 150 psi (10,5 bar)		
	<b>Z</b> 1 psi (0,07 bar)		

**PRIMARY CARTRIDGE (A)**

<b>A</b> A (with CODA primary cartridge, Pilotaje para cerrar anti-retorno válvula )
--------------------------------------------------------------------------------------

**INCLUDED COMPONENTS**

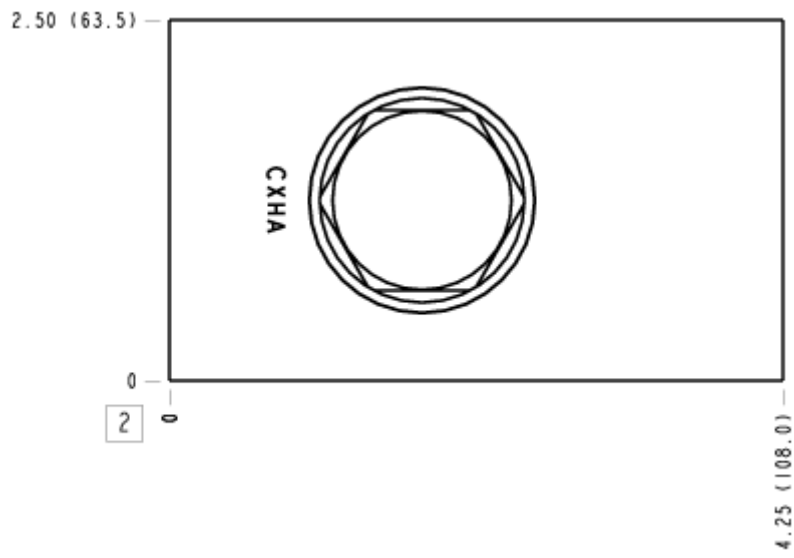
Part	Description	Quantity
CODAXCN	Cartridge - Primary	1
CXHAXCN	Cartridge	1

**MANIFOLD FACES**

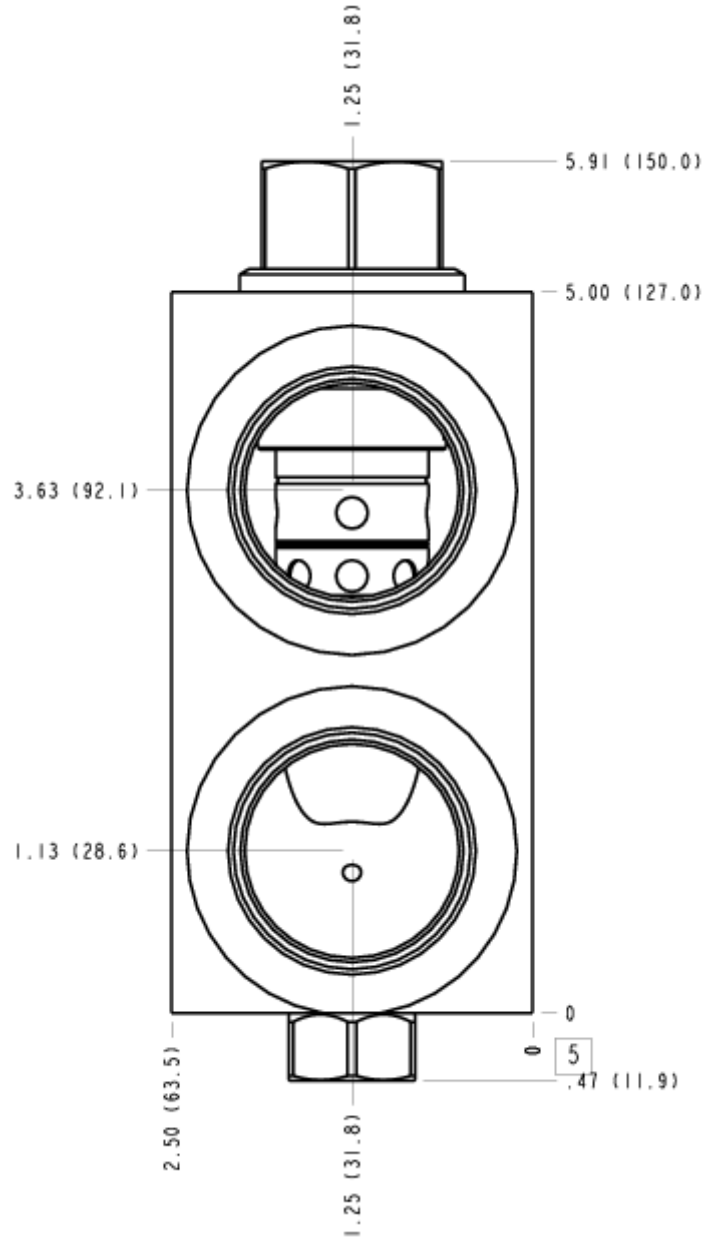
**FACE GRID**

1	2	3	4
5	6	7	8
9	10	11	12

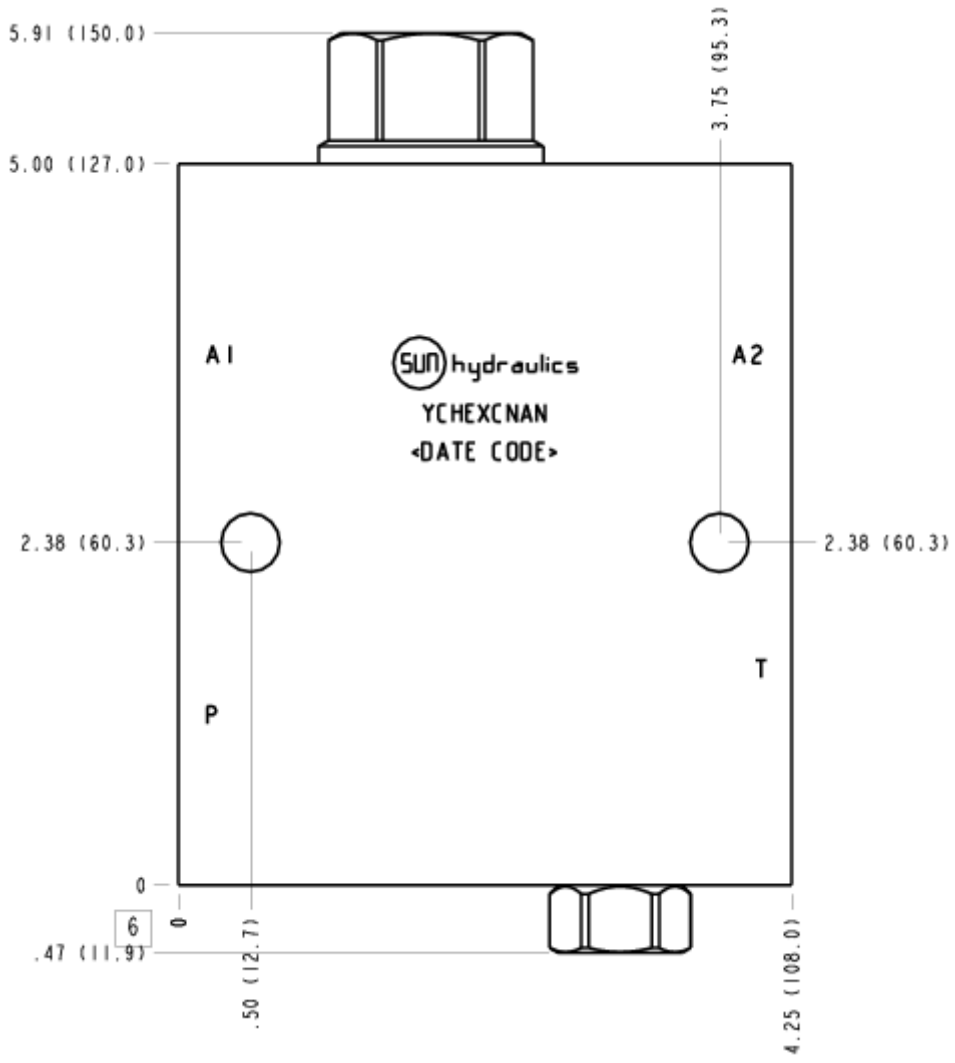
# FACE 2



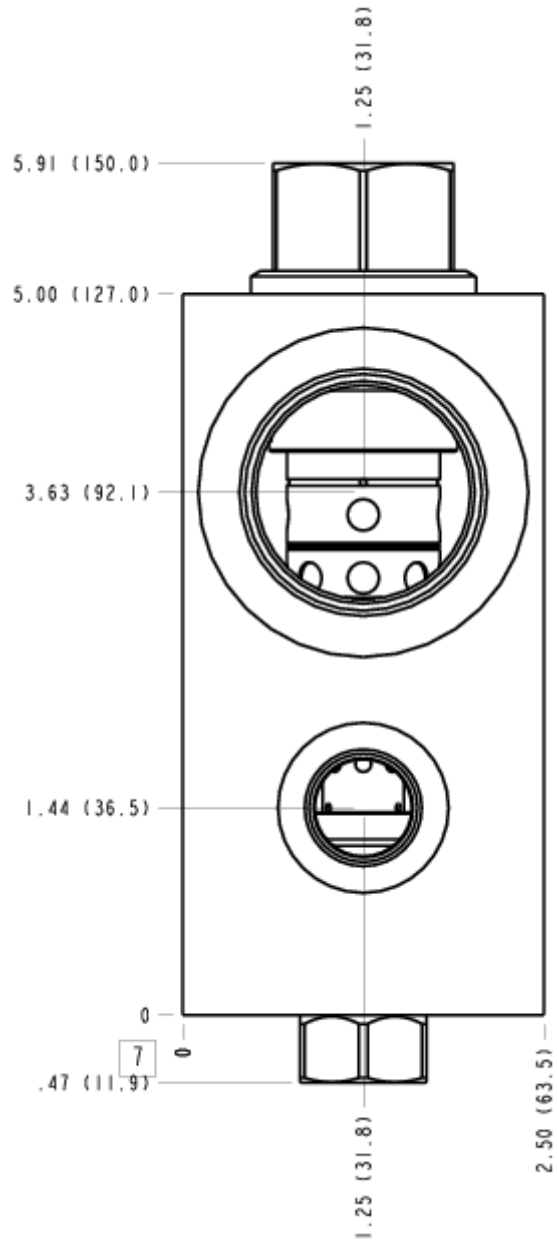
# FACE 5



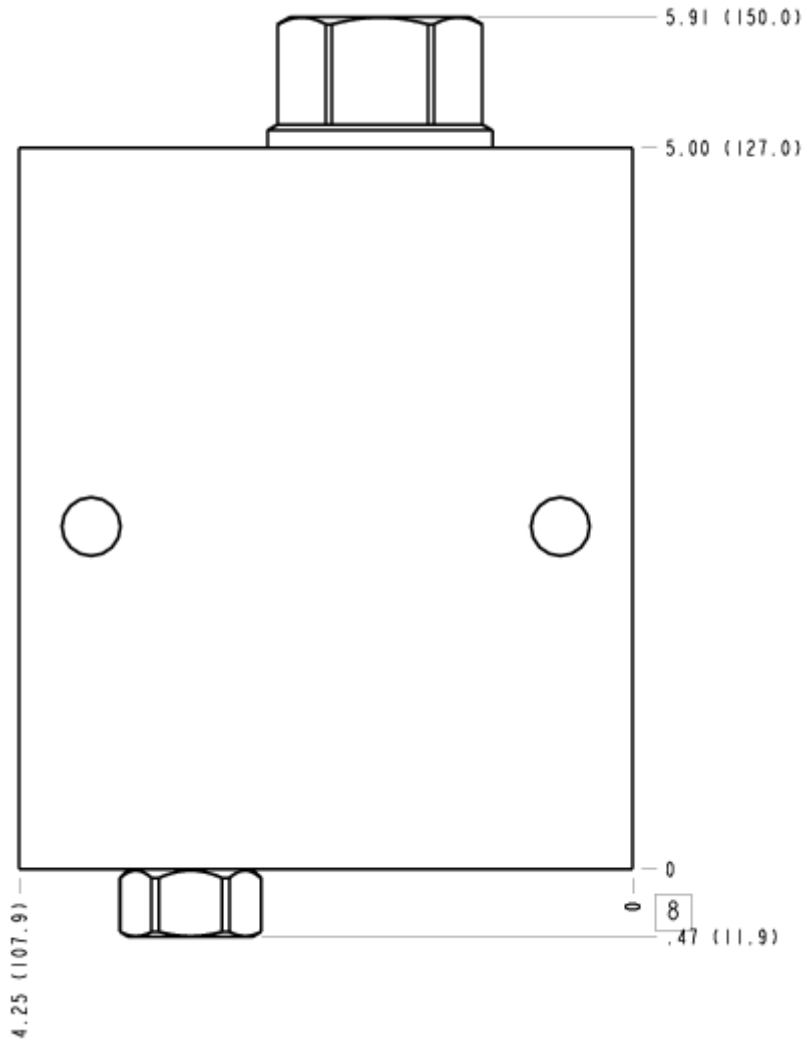
# FACE 6



# FACE 7



FACE 8



FACE 10

