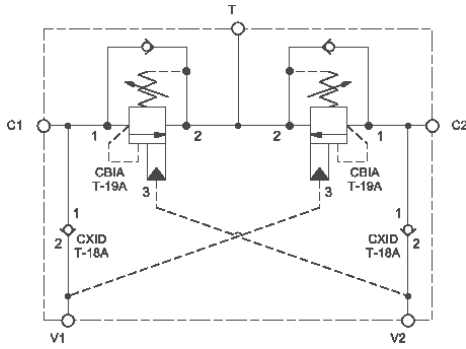




sunhydraulics.com/model/YCJD

This valve assembly provides overrunning load-control, load-port relief protection, supplies make-up oil, and flushes hot dirty oil out of the actuator. All oil coming out of the actuator returns to tank through port T.



TECHNICAL DATA

Body Type	Line mount
Mounting Hole Thread	.500-13 UNC - 2B in.
Mounting Hole Depth	.75 in.
Mounting Hole Quantity	4

CONFIGURATION

NOTES:

Control
Functional Setting Range
Seal Material
Pilot Ratio (4th Letter) of Primary Cartridge
Port and Material Designation

- **Important:** Carefully consider the maximum system pressure. The pressure rating of the manifold is dependent on the manifold material, with the port type/size a secondary consideration. Manifolds constructed of aluminum are not rated for pressures higher than 3000 psi (210 bar), regardless of the port type/size specified.
- For detailed information regarding the cartridges contained in this assembly, click on the models codes shown in the Included Components tab.

CONFIGURATION OPTIONS

Model Code Example: YCJDHNR

CONTROL	(L) FUNCTIONAL SETTING RANGE	(I) SEAL MATERIAL	(V)	
L Standard Screw Adjustment	I 400 - 1500 psi w/25 psi Check (28 - 105 bar w/ 1,7 bar Check), 1000 psi (70 bar) Standard Setting	V Viton		
C Tamper Resistant - Factory Set		N Buna-N		
		A 1000 - 4000 psi w/4 psi Check (70 - 280 bar w/ 0,3 bar Check), 3000 psi (210 bar) Standard Setting		
		B 400 - 1500 psi w/4 psi Check (28 - 105 bar w/ 0,3 bar Check), 1000 psi (70 bar) Standard Setting		
	H 1000 - 4000 psi w/25 psi Check (70 - 280 bar w/ 1,7 bar Check), 3000 psi (210 bar) Standard Setting			

PRIMARY CARTRIDGE

(A)

A 3:1 (with CBIA primary cartridge, 3:1 pilot ratio, standard capacity counterbalance valve)
H 10:1 (with CBIH primary cartridge, 10:1 pilot ratio, standard capacity counterbalance valve)
G 4.5:1 (with CBIG primary cartridge, 4.5:1 pilot ratio, standard capacity counterbalance valve)