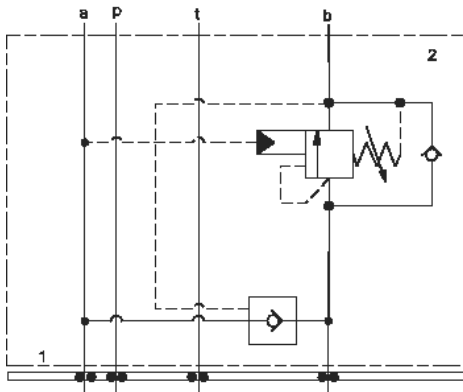
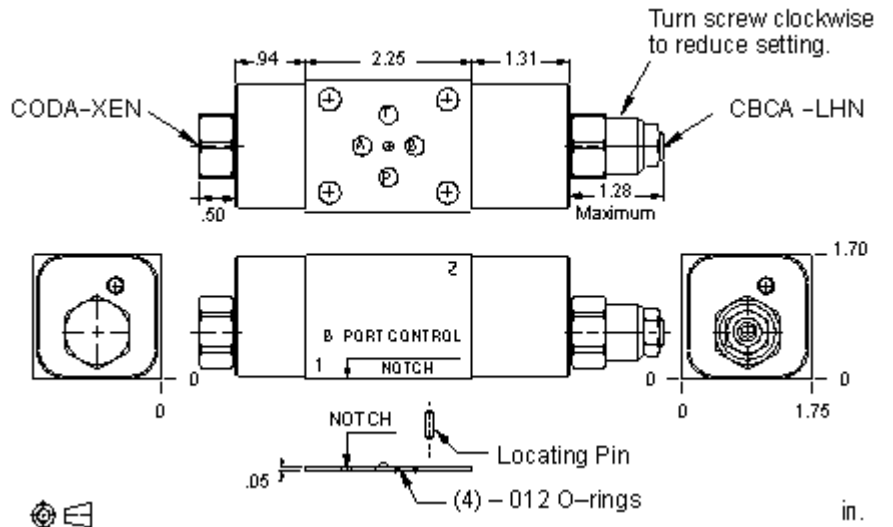


A to B



B to A



**TECHNICAL DATA**

Body Type	Sandwich
Interface	ISO 03
Capacity	40 L/min.
Body Features	A to B or B to A
Seal Plate Included (see notes)	Yes
Stack Height	44,5 mm

**OPTION SELECTION EXAMPLE: YDCALINAA**

CONTROL	(L) FUNCTIONAL SETTING RANGE	(I) SEAL MATERIAL	(N)
<b>L</b> Standard Screw Adjustment	<b>I</b> 400 - 1500 psi w/25 psi Check (28 - 105 bar w/ 1,7 bar Check), 1000 psi (70 bar) Standard Setting	<b>N</b> Buna-N	<b>(N)</b>
<b>C</b> Tamper Resistant - Factory Set		<b>V</b> Viton	
<b>PRIMARY CARTRIDGE</b>			<b>(A)</b>
<b>A</b> A (with CBCA primary cartridge, Proporción de pilotaje 3:1 , capacidad estándar contrabalance válvula )			
<b>A</b> A (with CBCAX primary cartridge, Ajuste fijo, proporción de pilotaje 3:1 , capacidad estándar contrabalance válvula )			

**INCLUDED COMPONENTS**

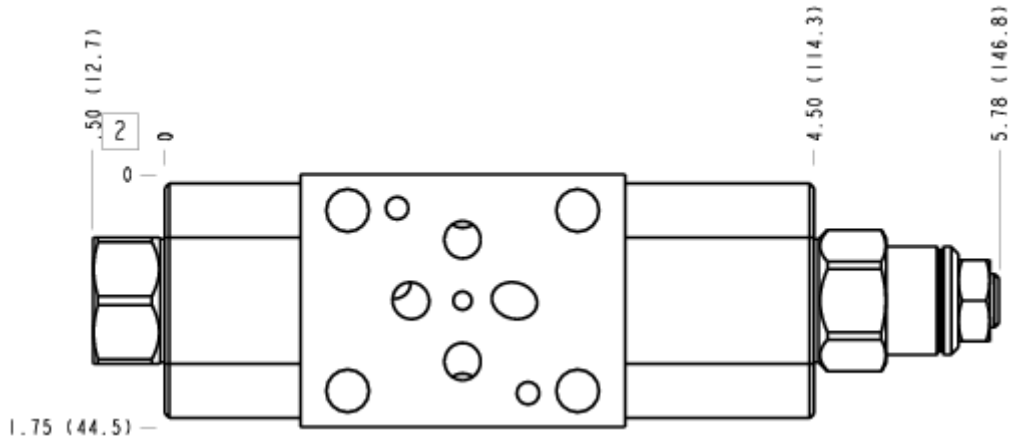
Part	Description	Quantity
500-001-012*	O-Ring	4
700-002*	Seal Plate	1
811-001-006*	Pin	1
850-004-218*	Plug	2
CBCALIN	Cartridge - Primary	1
CODAXEN	Cartridge	1

**MANIFOLD FACES**

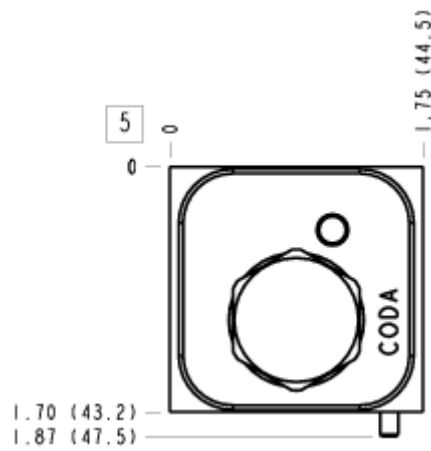
**FACE GRID**

1	2	3	4
5	6	7	8
9	10	11	12

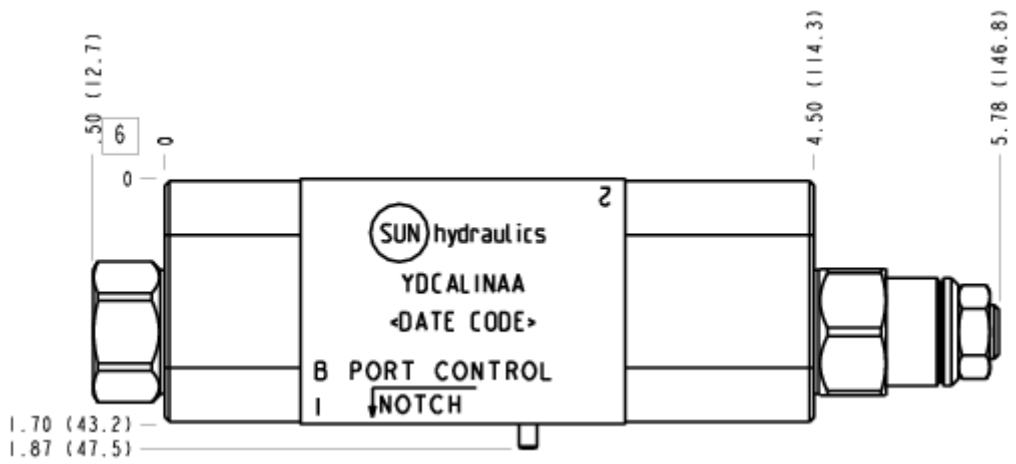
### FACE 2



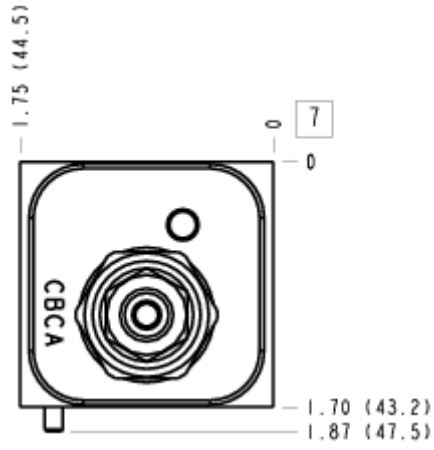
### FACE 5



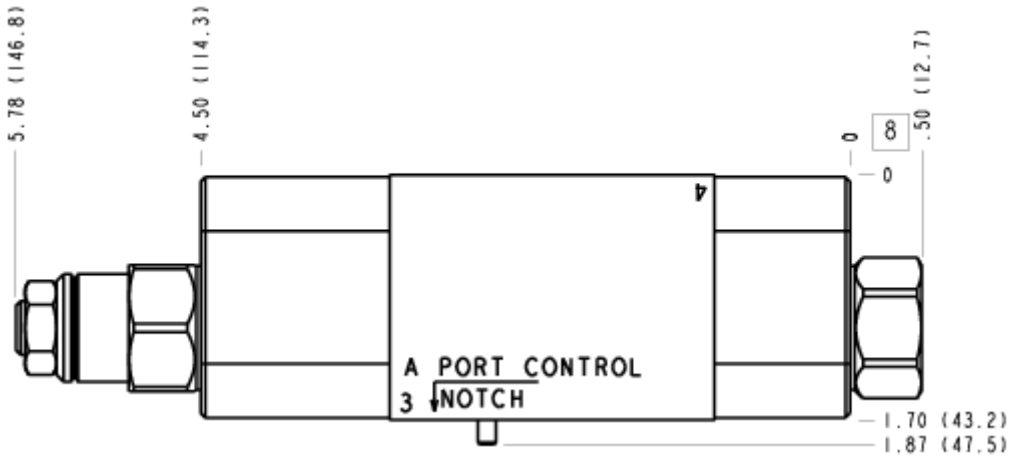
### FACE 6



### FACE 7



### FACE 8



### FACE 10

