

TECHNICAL DATA NOTE: DATA MAY VARY BY CONFIGURATION. SEE CONFIGURATION SECTION.

	45 L/min.
	8.6 mm
	Through
	2

OPTION SELECTION EXAMPLE: YDCCLHNAK

(L) (H) (N)

L	H	N
C	1000 - 4000 psi 25 psi (70 - 280 bar 1.), 3000 psi (210 bar)	V

PRIMARY CARTRIDGE (A)

A	A (with CBCA primary cartridge, 3:1,)
A	A (with CBCAX primary cartridge, , 3:1,)

INCLUDED COMPONENTS

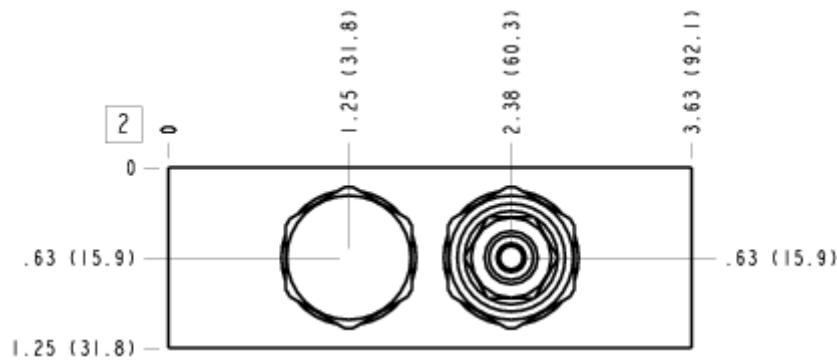
Part	Description	Quantity
CBCALHN	Cartridge - Primary	1
CODAXEN	Cartridge	1

MANIFOLD FACES

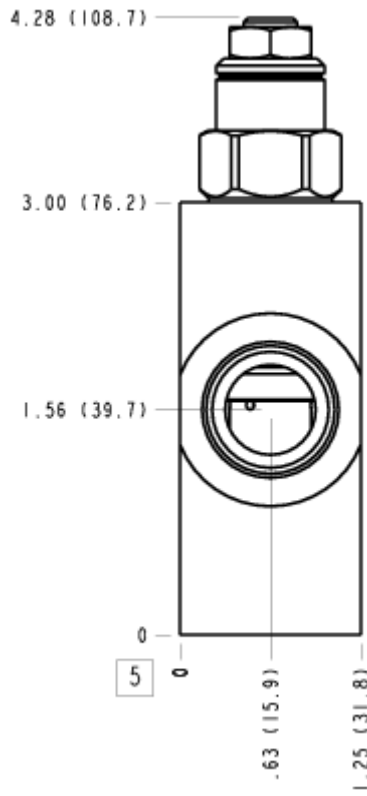
FACE GRID

1	2	3	4
5	6	7	8
9	10	11	12

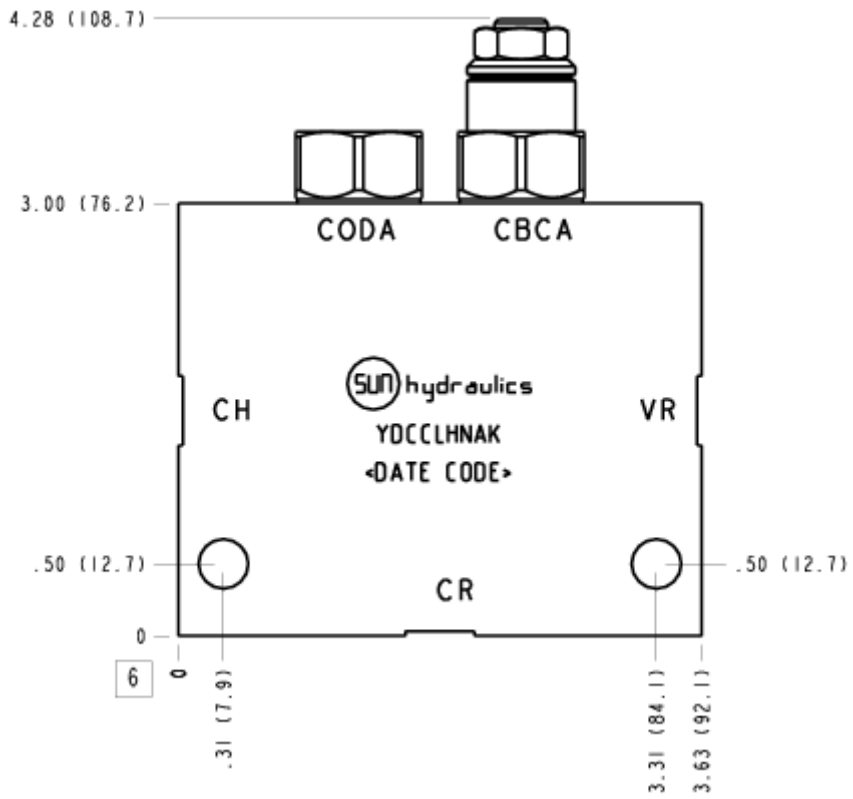
FACE 2



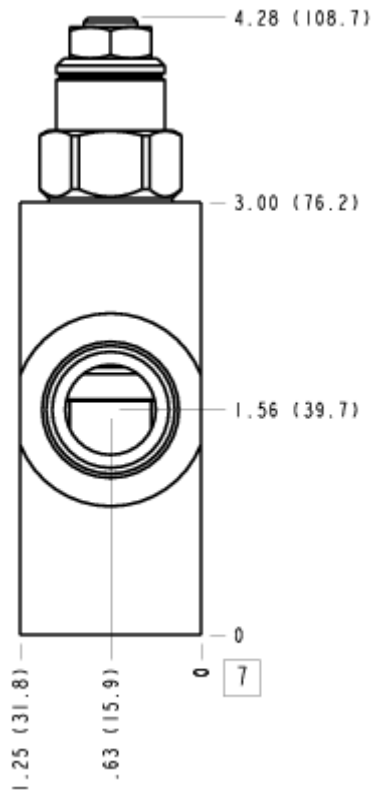
FACE 5



FACE 6



FACE 7



FACE 10

