

**TECHNICAL DATA** NOTE: DATA MAY VARY BY CONFIGURATION. SEE CONFIGURATION SECTION.

	60 L/min.
	8.6 mm
	2

**OPTION SELECTION EXAMPLE: YDCDLHNAK**

(L) (H) (N)

<b>L</b>	<b>H</b>	1000 - 4000 psi 25 psi (70 - 280 bar 1. ), 3000 psi (210 bar)	<b>N</b>
	<b>A</b>	1000 - 4000 psi 4 psi (70 - 280 bar 0.3 bar ), 3000 psi (210 bar)	<b>V</b>
	<b>B</b>	400 - 1500 psi 4 psi (28 - 105 bar 0.3 bar ), 1000 psi (70 bar)	

**PRIMARY CARTRIDGE (A)**

<b>A</b>	A (with CBCA primary cartridge, 3:1, )
<b>A</b>	A (with CBCAX primary cartridge, , 3:1, )

**INCLUDED COMPONENTS**

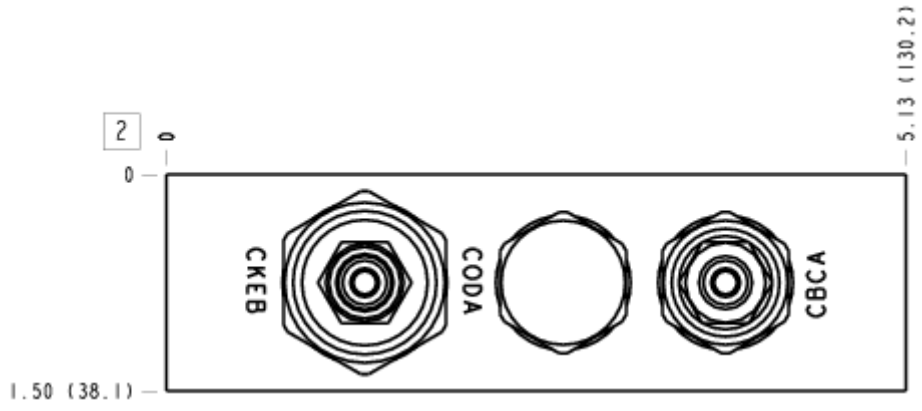
Part	Description	Quantity
CBCALHN	Cartridge - Primary	1
CKEBLCN	Cartridge	1
CODAXEN	Cartridge	1

**MANIFOLD FACES**

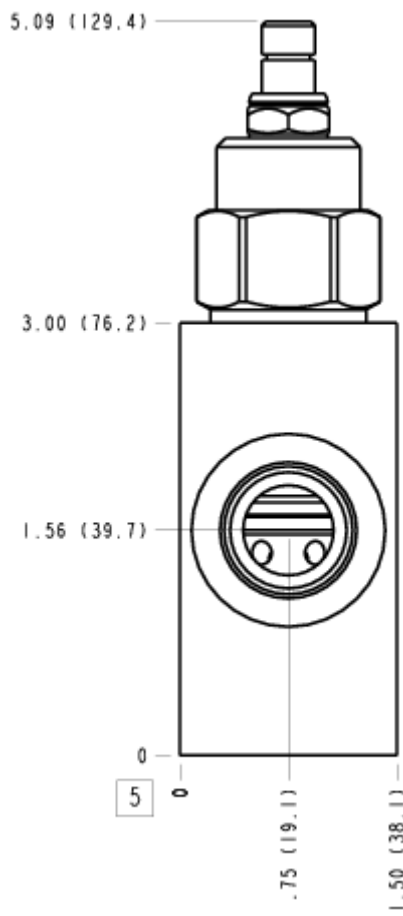
**FACE GRID**

1	2	3	4
5	6	7	8
9	10	11	12

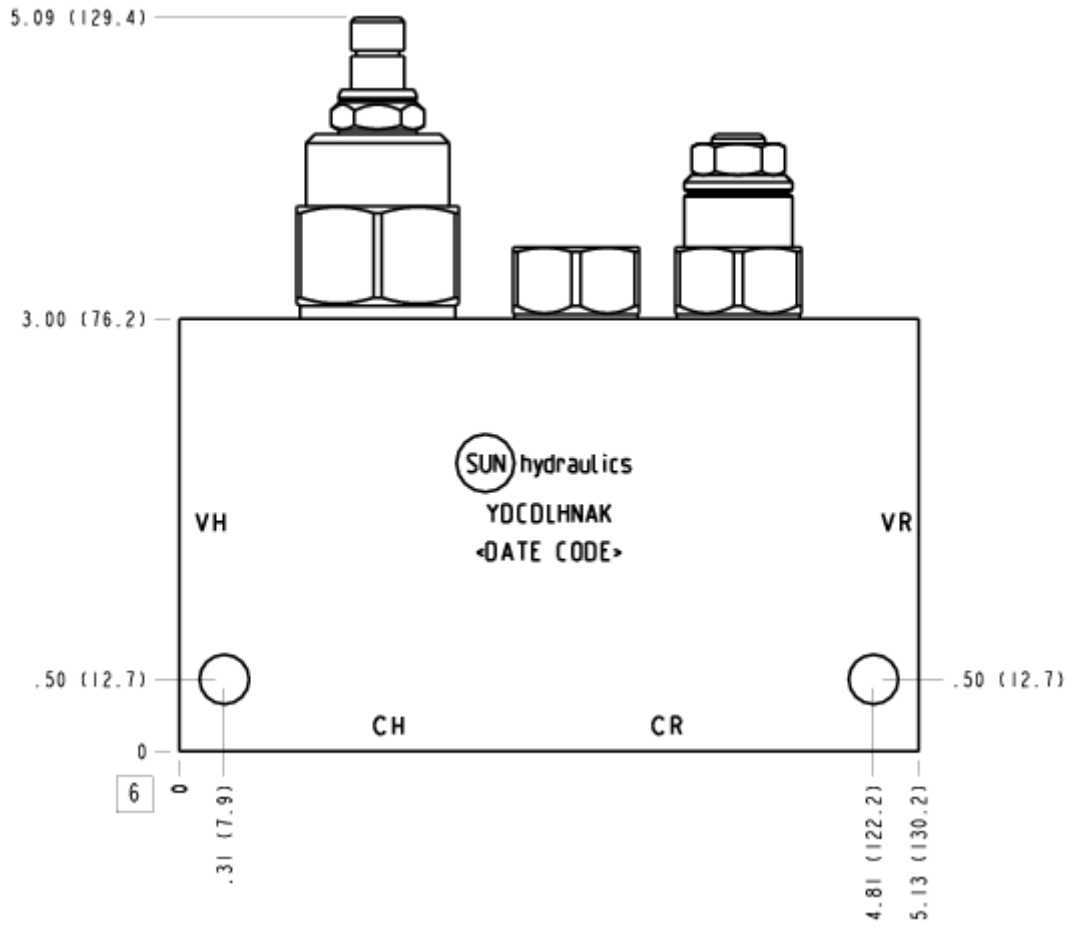
## FACE 2



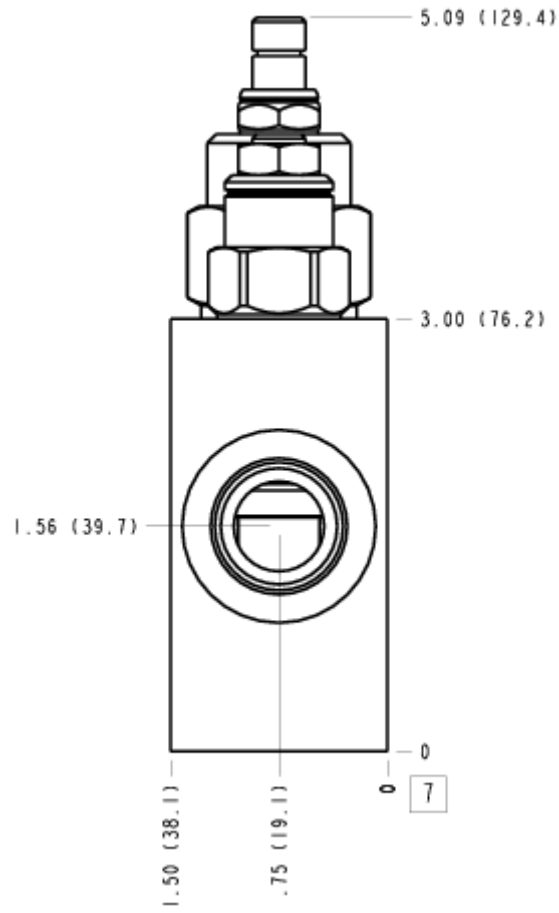
## FACE 5



FACE 6



### FACE 7



### FACE 10

