

TECHNICAL DATA

Body Type	Sandwich
Interface	ISO 03
Capacity	40 L/min.
Body Features	A to B or B to A
Seal Plate Included (see notes)	Yes
Stack Height	44,5 mm

OPTION SELECTION EXAMPLE: YDCFXCNA

CONTROL	(X) CRACKING PRESSURE	(C) SEAL MATERIAL	(N)
X Not Adjustable	C 30 psi (2 bar)	N Buna-N	
	D 50 psi (3,5 bar)	V Viton	
	E 75 psi (5 bar)		
	F 100 psi (7 bar)		

PRIMARY CARTRIDGE (A)

A	A (with CXCE primary cartridge, Caudal libre del lado a la nariz anti-retorno válvula con puerto 3 bloqueado)
----------	---

INCLUDED COMPONENTS

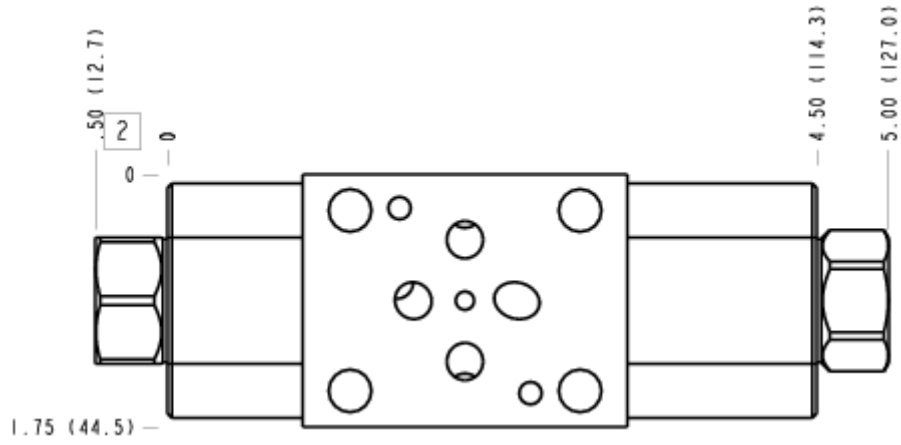
Part	Description	Quantity
500-001-012*	O-Ring	4
700-002*	Seal Plate	1
811-001-006*	Pin	1
850-004-218*	Plug	2
CODAXEN	Cartridge	1
CXCEXCN	Cartridge - Primary	1

MANIFOLD FACES

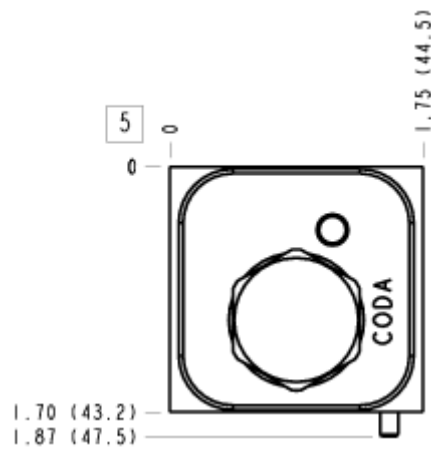
FACE GRID

1	2	3	4
5	6	7	8
9	10	11	12

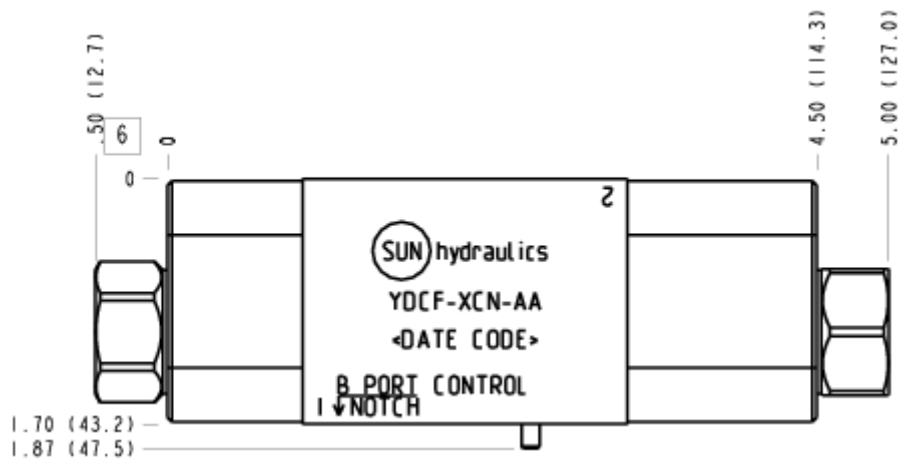
FACE 2



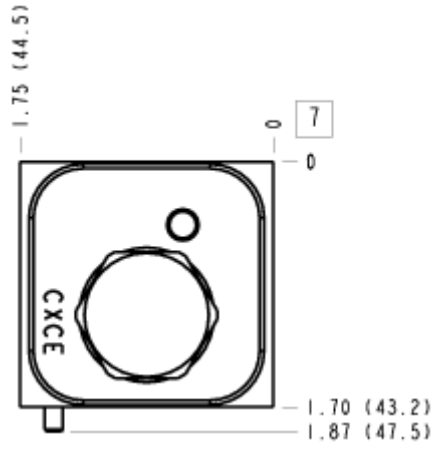
FACE 5



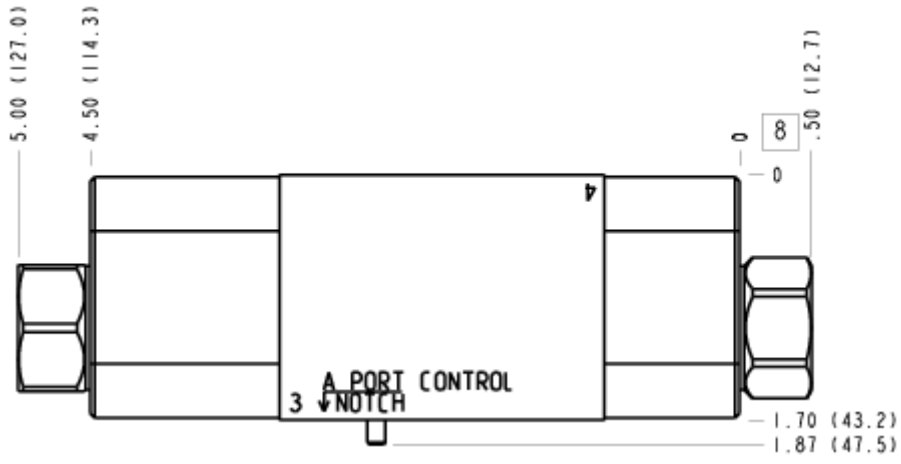
FACE 6



FACE 7



FACE 8



FACE 10

