

in.

TECHNICAL DATA NOTE: DATA MAY VARY BY CONFIGURATION. SEE CONFIGURATION SECTION.

Body Type	montaje en línea
Capacity	95 L/min.
Mounting Hole Diameter	10,7 mm
Mounting Hole Depth	Through
Mounting Hole Quantity	2

OPTION SELECTION EXAMPLE: YDECLHNAL

CONTROL	(L) FUNCTIONAL SETTING RANGE	(H) SEAL MATERIAL	(N)
L Standard Screw Adjustment	H 1000 - 4000 psi w/25 psi Check (70 - 280 bar w/ 1,7 bar Check), 3000 psi (210 bar) Standard Setting	N Buna-N V Viton	(N)
PRIMARY CARTRIDGE (A)			
A A (with CBEJ primary cartridge, Proporción de pilotaje 3:1 , capacidad estándar contrabalance válvula)			
A A (with CBEJX primary cartridge,)			

INCLUDED COMPONENTS

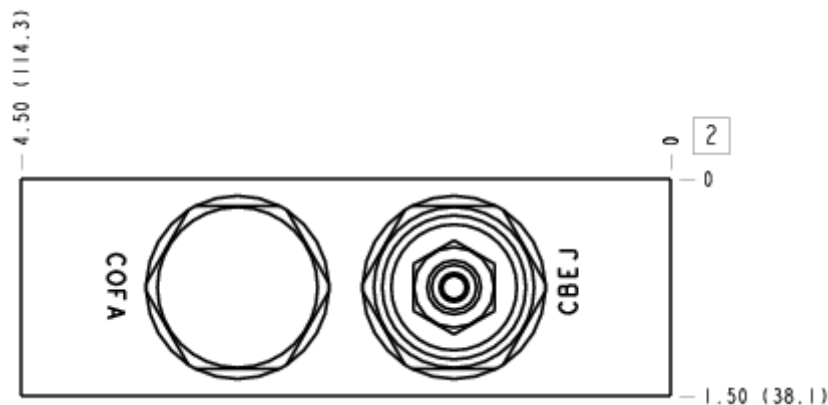
Part	Description	Quantity
CBEJLHN	Cartridge - Primary	1
COFAXEN	Cartridge	1

MANIFOLD FACES

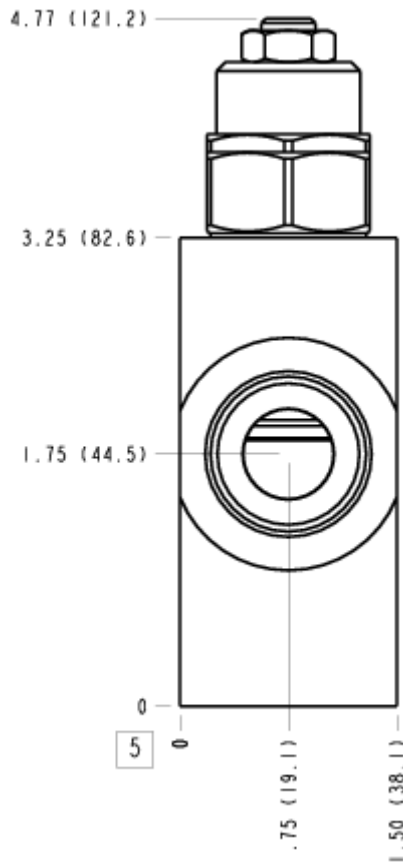
FACE GRID

1	2	3	4
5	6	7	8
9	10	11	12

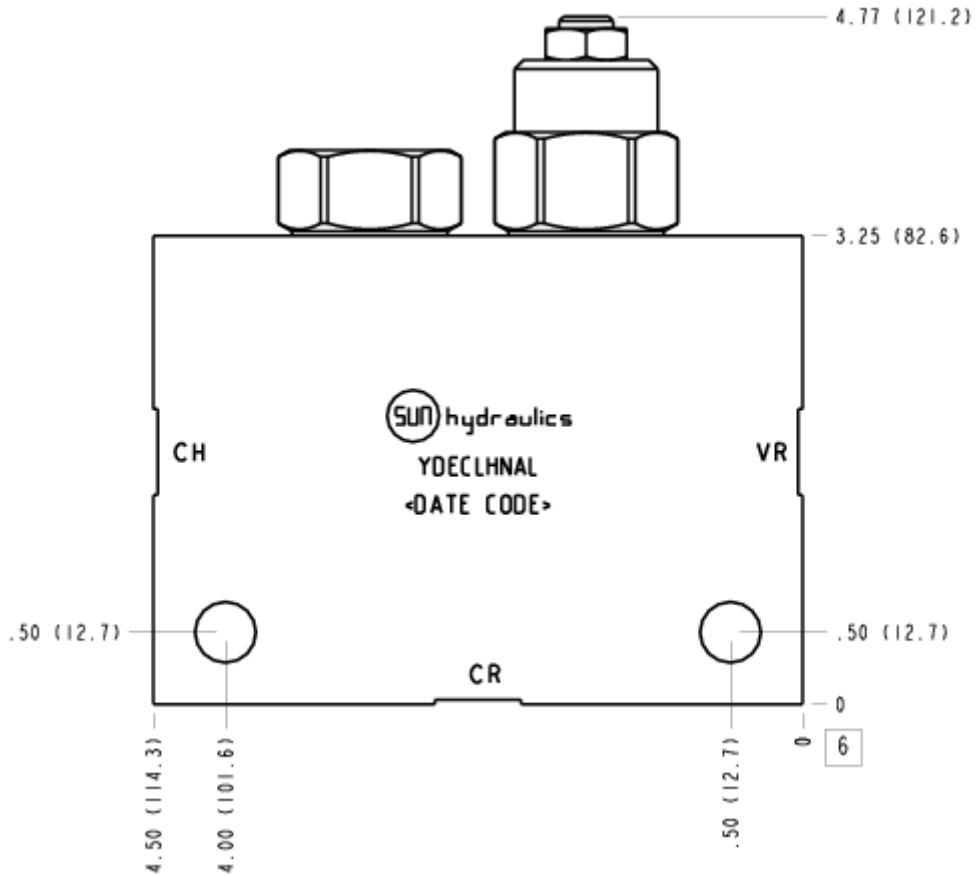
FACE 2



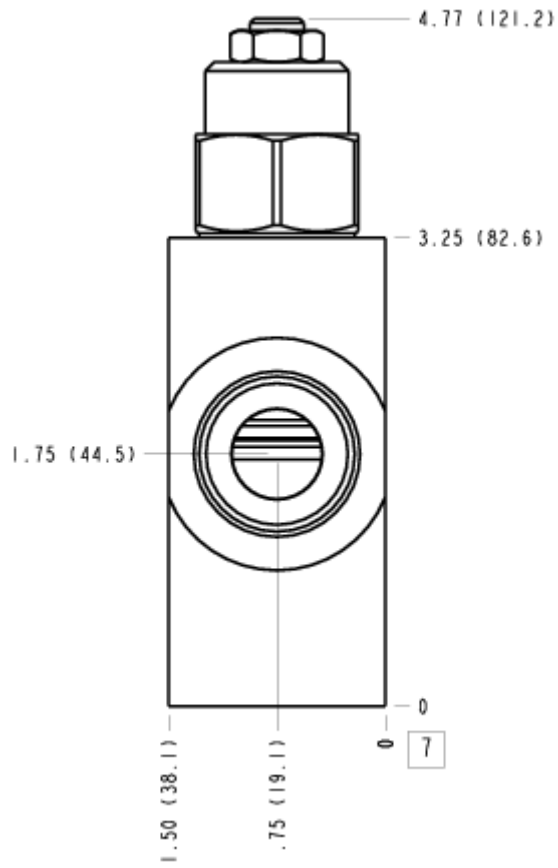
FACE 5



FACE 6



FACE 7



FACE 10

